

---

# OpenASIP v2.0

## User Manual

Version: 34  
Created: 2006-10-25  
Last Modified: 2022-11-14  
Document: P-1000  
State: complete

# Contents

<b>1</b>	<b>INTRODUCTION</b>	<b>8</b>
1.1	Document Overview . . . . .	9
1.2	Acronyms, Abbreviations and Definitions . . . . .	9
1.3	Typographic Conventions Used in the Document . . . . .	9
<b>2</b>	<b>PROCESSOR DESIGN FLOW</b>	<b>10</b>
2.1	Design Flow Overview . . . . .	10
2.2	Main File Formats . . . . .	12
2.2.1	Architecture Definition File (ADF) . . . . .	12
2.2.2	TTA Program Exchange Format (TPEF) . . . . .	12
2.2.3	Hardware Database (HDB) . . . . .	13
2.2.4	Implementation Definition File (IDF) . . . . .	13
2.2.5	Binary Encoding Map . . . . .	13
2.2.6	Operation Set Abstraction Layer (OSAL) Files . . . . .	13
2.2.7	Simulation Trace Database . . . . .	14
2.2.8	Exploration Result Database . . . . .	14
2.2.9	Summary of file types . . . . .	14
<b>3</b>	<b>TUTORIALS AND HOW-TOS</b>	<b>15</b>
3.1	Open ASIP Tour . . . . .	15
3.1.1	The Sample Application . . . . .	15
3.1.2	Starting Point Processor Architecture . . . . .	16
3.1.3	Compiling and simulating . . . . .	16
3.1.4	Increasing performance by adding basic resources . . . . .	19
3.1.5	Considering custom operations . . . . .	20
3.1.6	Creating the custom operation . . . . .	22
3.1.7	Calling the custom operation from the C code . . . . .	26
3.1.8	Adding HDL implementation of the FU to the hardware database (HDB). . . . .	27
3.1.9	Generating the VHDL and memory images . . . . .	29
3.1.10	Further acceleration by adding custom operation to large TTA . . . . .	32
3.1.11	Final Words . . . . .	32
3.2	Hello OpenASIP World! . . . . .	33
3.3	Streaming I/O . . . . .	33
3.3.1	Streaming I/O function units . . . . .	34
3.4	Implementing Programs in Parallel Assembly Code . . . . .	35
3.4.1	Preparations . . . . .	35

3.4.2	Introduction to DCT . . . . .	35
3.4.3	Introduction to OpenASIP assembly . . . . .	36
3.4.4	Implementing DCT on OpenASIP assembly . . . . .	36
3.5	Using multiple memories from C code . . . . .	37
3.6	Running TTA on FPGA . . . . .	38
3.6.1	Simplest example: No data memory . . . . .	39
3.6.2	Second example: Adding data memory . . . . .	40
3.7	How to print from Altera FPGAs . . . . .	43
3.7.1	Hello World 2.0 . . . . .	43
3.7.2	FPGA execution . . . . .	44
3.7.3	Caveats in printing from FPGA . . . . .	46
3.7.4	Summary . . . . .	46
3.8	Designing Floating-point Processors with OpenASIP . . . . .	46
3.8.1	Restrictions . . . . .	47
3.8.2	Single-precision Function Units . . . . .	47
3.8.3	Half-precision Support . . . . .	48
3.8.4	Half-precision Function Units . . . . .	48
3.8.5	Benchmark results . . . . .	49
3.8.6	Alternative bit widths . . . . .	50
3.8.7	Processor Simulator and Floating Point Operations . . . . .	50
3.9	Multi-TTA Designs . . . . .	50
3.10	OpenCL Support . . . . .	50
3.11	System-on-a-Chip design with AlmaIF Integrator . . . . .	51
3.11.1	Design the processor . . . . .	51
3.11.2	Generate the Processor . . . . .	52
3.11.3	Create a New Vivado Project . . . . .	52
3.11.4	Create a Block Design . . . . .	52
3.11.5	Cleanup . . . . .	52
3.11.6	Synthesis and Implementation . . . . .	52
3.12	Hardware Loops . . . . .	53
3.12.1	Tour to Using the Hardware Loops . . . . .	53
3.13	Function Unit Generator . . . . .	54
3.13.1	Operation Implementations . . . . .	54
3.13.2	HDL Details and Limitations . . . . .	55
3.13.3	Default Load and Store Operations . . . . .	55
3.14	RISC-V Tutorial . . . . .	56
3.14.1	The Sample Application . . . . .	57
3.14.2	Starting Point Processor Architecture . . . . .	57
3.14.3	Compiling and simulating . . . . .	58
3.14.4	Using custom operations . . . . .	58
3.14.5	Defining a custom operation with a DAG . . . . .	59
3.14.6	Defining a custom operation using an HDL snippet . . . . .	62
3.14.7	Final Words . . . . .	64

<b>4</b>	<b>PROCESSOR DESIGN TOOLS</b>	<b>65</b>
4.1	TTA Processor Designer (ProDe) . . . . .	65
4.1.1	Starting ProDe . . . . .	65
4.1.2	Function Unit Operation Dialog . . . . .	65
4.2	Operation Set Abstraction Layer (OSAL) Tools . . . . .	66
4.2.1	Operation Set Editor (OSEd) . . . . .	66
4.2.2	Operation Behavior Module Builder (buildopset) . . . . .	69
4.2.3	OSAL Tester (testosal) . . . . .	70
4.3	OSAL files . . . . .	70
4.3.1	Operation Properties . . . . .	70
4.3.2	Operation Input Properties . . . . .	72
4.3.3	Operation Output Properties . . . . .	72
4.3.4	Operation DAG . . . . .	73
4.3.5	Operation Behavior . . . . .	73
4.3.6	Behavior Description language . . . . .	74
4.4	OSAL search paths . . . . .	77
4.5	Processor Generator (ProGe) . . . . .	78
4.5.1	IC/Decoder Generators . . . . .	79
4.6	Platform Integrator . . . . .	79
4.7	Supported Platforms . . . . .	80
4.7.1	Altera based devices . . . . .	80
4.7.2	AlmaFIntegrator . . . . .	84
4.8	Hardware Database Editor (HDB Editor) . . . . .	84
4.8.1	Usage . . . . .	84
4.9	Hardware Database Tester . . . . .	86
4.9.1	Usage . . . . .	86
4.9.2	Test conditions . . . . .	86
4.10	Processor unit tester . . . . .	87
4.10.1	Usage . . . . .	87
4.11	Function Unit Interface . . . . .	87
4.11.1	Operation code order . . . . .	88
4.11.2	Summary of interface ports . . . . .	89
4.11.3	Reserved keywords in generics . . . . .	89
<b>5</b>	<b>CODE GENERATION TOOLS</b>	<b>90</b>
5.1	OpenASIP Compiler . . . . .	90
5.1.1	Usage of OpenASIP compiler . . . . .	90
5.1.2	Custom operations . . . . .	91
5.1.3	Endianness Mode . . . . .	92
5.1.4	Known issues . . . . .	93
5.2	Binary Encoding Map Generator (BEMGenerator) . . . . .	93
5.2.1	Usage . . . . .	93
5.3	Parallel Assembler and Disassembler . . . . .	93
5.3.1	Usage of Disassembler . . . . .	93
5.3.2	Usage of Assembler . . . . .	94
5.3.3	Memory Areas . . . . .	94

5.3.4	General Line Format . . . . .	95
5.3.5	Allowed characters . . . . .	95
5.3.6	Literals . . . . .	95
5.3.7	Labels . . . . .	97
5.3.8	Data Line . . . . .	97
5.3.9	Code Line . . . . .	98
5.3.10	Long Immediate Chunk . . . . .	99
5.3.11	Data Transport . . . . .	99
5.3.12	Register Port Specifier . . . . .	99
5.3.13	Assembler Command Directives . . . . .	101
5.3.14	Assembly Format Style . . . . .	102
5.3.15	Error Conditions . . . . .	104
5.3.16	Warning Conditions . . . . .	105
5.3.17	Disambiguation Rules . . . . .	106
5.4	Program Image Generator (PIG) . . . . .	106
5.4.1	Usage . . . . .	107
5.4.2	Dictionary Compressor . . . . .	107
5.5	TPEF Dumper (dumtpfef) . . . . .	109
5.5.1	Usage . . . . .	109
<b>6</b>	<b>CO-DESIGN TOOLS</b>	<b>111</b>
6.1	Architecture Simulation and Debugging . . . . .	111
6.1.1	Processor Simulator CLI (ttasim) . . . . .	111
6.1.2	Fast Compiled Simulation Engine . . . . .	112
6.1.3	Remote Debugger . . . . .	113
6.1.4	Simulator Control Language . . . . .	114
6.1.5	Traces . . . . .	119
6.1.6	Processor Simulator GUI (Proxim) . . . . .	120
6.2	System Level Simulation with SystemC . . . . .	121
6.2.1	Instantiating TTACores . . . . .	121
6.2.2	Describing Detailed Operation Pipeline Simulation Models . . . . .	122
6.3	Processor Cost/Performance Estimator (estimate) . . . . .	123
6.3.1	Command Line Options . . . . .	123
6.4	Automatic Design Space Explorer (explore) . . . . .	124
6.4.1	Explorer Application format . . . . .	124
6.4.2	Command Line Options . . . . .	125
6.4.3	Explorer Plugin: ConnectionSweeper . . . . .	125
6.4.4	Explorer Plugin: SimpleICOptimizer . . . . .	125
6.4.5	Explorer Plugin: RemoveUnconnectedComponents . . . . .	126
6.4.6	Explorer Plugin: GrowMachine . . . . .	127
6.4.7	Explorer Plugin: ImmediateGenerator . . . . .	127
6.4.8	Explorer Plugin: ImplementationSelector . . . . .	127
6.4.9	Explorer Plugin: MinimizeMachine . . . . .	128
6.4.10	Explorer Plugin: ADFCombiner . . . . .	128
6.4.11	Explorer Plugin: VLIWConnectIC . . . . .	128
6.4.12	Explorer Plugin: BlocksConnectIC . . . . .	129

<b>7</b>	<b>PROCESSOR TEMPLATE</b>	<b>130</b>
7.1	Architecture Template . . . . .	130
7.1.1	Transport Triggered Architecture . . . . .	130
7.1.2	Immediates/Constants . . . . .	132
7.1.3	Operations, Function Units, and Operand Bindings . . . . .	132
7.1.4	Datapath Connectivity Levels . . . . .	133
7.2	Programmer Interface . . . . .	133
7.2.1	Default Data Address Space Layout . . . . .	134
7.2.2	Instruction Address Space . . . . .	134
7.2.3	Alignment of Words in Memory . . . . .	134
7.2.4	Stack Frame Layout . . . . .	134
7.2.5	Word Byte Order . . . . .	135
7.2.6	Function Calling Conventions . . . . .	136
7.2.7	Register Context Saving Conventions . . . . .	136
<b>8</b>	<b>PRODUCING EFFICIENT TTA DESIGNS WITH TCE</b>	<b>137</b>
8.1	Registers and Register Files . . . . .	137
8.2	Interconnection Network . . . . .	137
8.2.1	Negative short immediates . . . . .	138
8.3	Operation Set . . . . .	138
<b>9</b>	<b>TROUBLESHOOTING</b>	<b>139</b>
9.1	Simulation . . . . .	139
9.1.1	Failing to Load Operation Behavior Definitions . . . . .	139
9.2	Limitations of the Current Toolset Version . . . . .	139
9.2.1	Integer Width . . . . .	139
9.2.2	Instruction Addressing During Simulation . . . . .	139
9.2.3	Data Memory Addressing . . . . .	140
9.2.4	Ideal Memory Model in Simulation . . . . .	140
9.2.5	Guards . . . . .	140
9.2.6	Operation Pipeline Description Limitations . . . . .	140
9.2.7	Encoding of XML Files . . . . .	140
9.2.8	Floating Point Support . . . . .	140
<b>A</b>	<b>FREQUENTLY ASKED QUESTIONS</b>	<b>141</b>
A.1	Memory Related . . . . .	141
A.1.1	Load Store Unit . . . . .	141
A.2	Processor Generator . . . . .	141
A.3	oacc . . . . .	141
A.4	Hardware characteristics . . . . .	142
A.4.1	Interrupt support . . . . .	142
A.5	Misc . . . . .	142
A.5.1	File Search Paths . . . . .	142
<b>B</b>	<b>SystemC Simulation Example</b>	<b>143</b>

<b>C Copyright notices</b>	<b>148</b>
C.1 Xerces . . . . .	148
C.2 wxWidgets . . . . .	150
C.3 L-GPL . . . . .	151
C.4 TCL . . . . .	156
C.5 SQLite . . . . .	157
C.6 Editline . . . . .	157
<b>BIBLIOGRAPHY</b>	<b>159</b>

# Chapter 1

## INTRODUCTION

This is the user manual for OpenASIP [TCE] The document describes all the tools in the toolset, and a set of common use cases in the form of tutorials.

Fig.1.1 shows a simplified overview of OpenASIP. OpenASIP supports programs written in C/C++ and OpenCL. User can easily design new customized Transport-Triggered Architecture (TTA) processors, compile the program, analyze the performance, and generate HDL implementations of the designed processors. The generated application-specific processor HDL can be synthesized for example to an FPGA chip. Then, user can modify the application and upload new program image to continue development.

Application-specific instruction-set processor (ASIP) is a programmable processor which is tailored to certain application (domain). Hence, it can outperform general-purpose processors in terms of performance, area, and power. On the other hand, the programmability and the powerful ASIP tools should provide increased productivity in comparison to fixed function accelerator implementations, which offer the highest performance.

With OpenASIP, ASIP configuration, SW compilation, and simulation can be carried out in the order of minutes and hence most of the time can be reserved to application and architecture co-development. It is fast to iterate over new TTA configurations, e.g., change the number and type of function units (FU), configure interconnection network (IC), register files (RF), or experiment with special function units (custom operations).

Simple TTA designs with support for a couple of parallel arithmetic operations consume in the order of

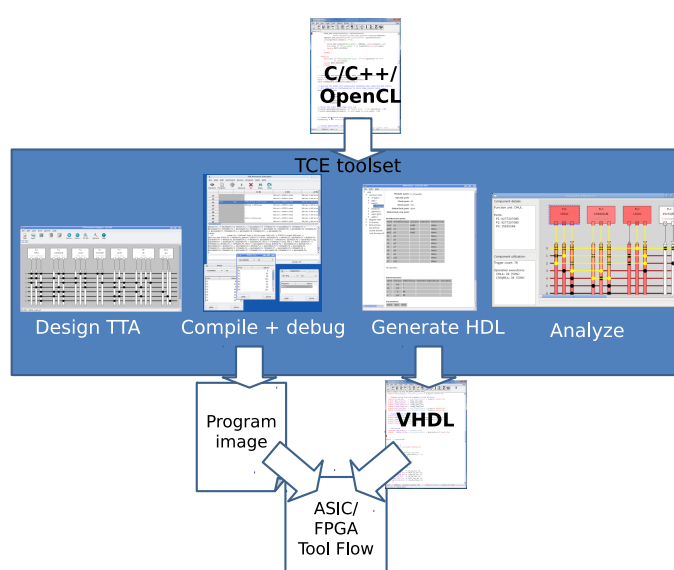


Figure 1.1: Overview of OpenASIP.



approx. 1000-5000 LUTs (look-up tables), which means that modern FPGA's can easily include even tens of TTA cores. The operating clock frequency can be optimized to match the soft cores offered by FPGA vendors.

## 1.1 Document Overview

Chapter 2 provides an overview to the OpenASIP processor design flow, and Chapter 3 contains tutorials for several common OpenASIP use cases. These should be sufficient for starting to use the OpenASIP toolset. The rest of the chapters describe the use of each tool separately, and they can be referred to for information on more advanced usage the tools.

Many people have contributed to this document, most notably Pekka Jääskeläinen, Otto Esko, Heikki Kultala, Vladimir Guzma and Erno Salminen.

## 1.2 Acronyms, Abbreviations and Definitions

ADF	(Processor/Machine) Architecture Definition File.
BEM	Binary Encoding Map. Describes the encoding of instructions.
CLI	Command Line Interface
ExpResDB	Exploration Result Database.
GUI	Graphical User Interface
GPR	General Purpose Register
HDB	Hardware Database
HDL	Hardware Description Language.
HLL	High Level (Programming) Language.
IDF	(Machine/Processor) Implementation Definition File.
ILP	Instruction Level Parallelism.
LLVM	Low Level Virtual Machine
MAU	Minimum Addressable Unit
OA	OpenASIP (toolset)
PIG	Program Image Generator
SQL	Structured Query Language.
TCE	TTA Co-design Environment (previous name of OpenASIP).
TPEF	TTA Program Exchange Format
TraceDB	Execution Trace Database.
TTA	Transport Triggered Architecture.
VHDL	VHSIC Hardware Description Language.
XML	Extensible Markup Language.

## 1.3 Typographic Conventions Used in the Document

Style	Purpose
<i>italic</i>	parameter names in running text
[brackets]	bibliographic references
'single quoted'	keywords or literal strings in running text
'file name'	file and directory names in running text
<b>bold</b>	Shorthand name of an OpenASIP application.
<code>courier</code>	UNIX commands

## Chapter 2

# PROCESSOR DESIGN FLOW

The main goal for OpenASIP is to provide a reliable and effective toolset for designing programmable application specific processors, and generate machine code for them from applications written in high-level languages, such as C, C++ or OpenCL.

In addition, OpenASIP provides an extensible research platform for experimenting with new ideas for Transport Triggered Architectures (TTAs), retargetable ILP code generation, and application specific processor design methodology, among others.

### 2.1 Design Flow Overview

The main phases in the OpenASIP are illustrated in Figure 2.1 and listed in Table 2.1 The OpenASIP design flow starts from an application described in a high level language (currently the C language).

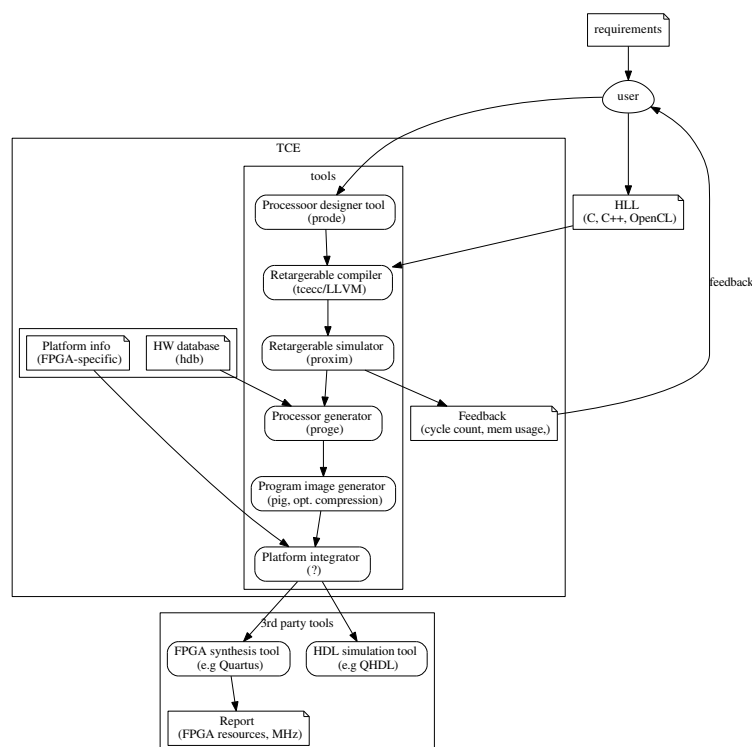


Figure 2.1: Overview of OpenASIP.

Table 2.1: Summary of tools. Some of the tools have graphical user interface (GUI) and others executed from the shell command line (CLI).

Tool	Purpose	Type	Output file(s)
ProDe	Define FUs, registers, interconnects of TTA core	GUI	.adf
tcecc	Compile software	CLI	.tpef
Proxim	Simulate TTA cores (architectural level)	GUI	report
ttasim	Simulate TTA cores (architectural level)	CLI	report
OSEd	Operation Set Abstraction Layer database editor	GUI	operation db
HDBEditor	HW implementation database editor	GUI	HDB
ProGe / generateprocessor	Generate HDL	CLI (+GUI)	VHDL or Verilog
PIG / generatebits	Generate program image	CLI	e.g. .mif
Platform integrator	Interface with memories, generate IP-XACT	CLI	e.g. .xml, project files
3rd party Synthesis	Convert VHDL to netlist and program FPGA	G/C	e.g. .sof
3rd party Simulation	Simulate VHDL	G/C	report, .wave

The initial software development phase is intended to be separate from the actual co-design flow of OpenASIP. That is, the program is expected to be implemented and tested natively (on a workstation PC) before “porting” it to the OpenASIP platform. The porting includes ensuring that OpenASIP runs the program correctly, and optimizing the hardware together with the software by modifying the resources and architecture of the processor to fit the application at hand – a process called hardware/software co-design.

Once the user has implemented the software based on requirements, he designs a TTA processor with a graphical tool, or selects an existing TTA, and compiles and simulates the SW. Both compiler and simulator are *retargetable* so they need an architecture definition as input in addition to SW source codes. The instruction set simulator (Proxim or ttasim) produces statistics about cycle counts and utilization of function unit, to assist in iteration of the SW of TTA HW until results are satisfactory.

The LLVM compiler framework [llv08] is used to compile the application to ‘bitcode’, the intermediate representation of LLVM. The resulting bitcode is then compiled and scheduled to a particular TTA processor by OpenASIP. Traditional compiler optimizations are done in LLVM before bitcode generation, so it is possible to utilize the same bitcode file when exploring different TTA processors for running an application.

Once the performance requirement is met, the user maps the architectural resources i.e. function units and register files, to their respective RTL implementations which are stored in Hardware Databases (HDB). The distinction between architectural models and component implementations makes it possible to have several implementations, each e.g. targeted for different FPGA families or ASIC technologies, stored in HDBs. Ideally, changing the target platform might only require changes to the implementation mapping without any changes to the architecture.

After the implementation mapping, the Processor Generator (ProGe) can produce synthesizable HDL, which instantiates all FUS and creates the interconnection network and control unit, which is responsible of fetching, decoding and issuing instructions. ProGe tool also includes a platform integrator feature which can interface the TTA with memory components of an FPGA board and create synthesis settings. Moreover, the platform integrator can “package” the TTA (and optionally also the SW) into an easily re-usable format. In practice, this means generating IP-XACT documents which describe the details in XML. Synthesizing and simulating the HDL are done with 3rd party tools, such as Altera’s Quartus and Mentor Graphics’ Modelsim.

Finally, Program Image Generator (PIG) is utilized to convert the compiled SW format into actual binaries. PIG supports various different output formats ranging from plain binary format to FPGA vendor specific embedded RAM formats.

More details about the tools and design phases are given in Chapters 4.1 - 6. The OpenASIP tour tutorial in section 3.1 provides a hands-on introduction to the design flow.

## 2.2 Main File Formats

The flow consists of many separate tools and information is exchanged with files. This chapter gives an overview of 8 file and database types manipulated by OpenASIP applications and accessible to users of the toolset, architecture definition .adf and SW binary .tpef being the most important ones. Many files are XML so user can easily access them, if needed.

There are 3 kinds of files:

1. HW definitions: adf, hdb, and idf
2. SW definitions: tpef, bem, opp, cc, opb
3. Simulation and exploration data: dsdb, set of the files above

### 2.2.1 Architecture Definition File (ADF)

Filename extension: .adf

Architecture Definition File (ADF) is a file format for defining target processor architectures, e.g. which function units are used and how they are connected [CSJ04]. ADF can be created with ProDe manually or, e.g., by automated design space exploration tools. ADF is a specification of the target “processor architecture”, meaning that only the information needed to generate valid programs for the processor is stored, but nothing else. This file is needed by many tools, such as tcecc, ttasim, and ProGe.

The XML snippet below gives an idea of ADF.

```
<adf version="1.7">

  <bus name="B1">
    <width>32</width>
    <guard>
      <always-true/>
    ...
  <socket name="alu_comp_i1">
    <reads-from>
      <bus>B1</bus>
    ...
  <function-unit name="alu_comp">
    <port name="in1t">
      <connects-to>alu_comp_i1</connects-to>
      <width>32</width>
      <triggers/>
    ...
    <operation>
      <name>add</name>
      <bind name="1">in1t</bind>
    ...
  <register-file name="RF">
    <type>normal</type>
    ...
  <address-space name="data">
    <width>8</width>
    ...

```

### 2.2.2 TTA Program Exchange Format (TPEF)

Filename extension: .tpef

TTA Program Exchange Format (TPEF) is a file format for storing compiled TTA programs which can be either unscheduled, partially scheduled, or scheduled [Cil04]. TPEF supports auxiliary sections for storing additional information related to the program, such as execution profiles, machine resource data, and target address space definitions. This file is needed, e.g. by ttasim and Pig.

### 2.2.3 Hardware Database (HDB)

Filename extension: .hdb

Hardware Database (HDB) is the main SQLite database used by the Processor Generator and the Cost Estimator. The data stored in HDB consist of hardware description language definitions (HDL) of TTA components (function units, register files, buses and sockets) and metadata that describe certain parameters used in implementations. In addition, HDB may include data of each implementation needed by the cost estimation algorithms.

OpenASIP ships with an example HDB that includes implementations for several function units and register files in VHDL, and cost data for the default interpolating cost estimation plugin.

### 2.2.4 Implementation Definition File (IDF)

Filename extension: .idf

Describes which implementations to use for each component in the architecture. Hence, this links architectural components described in ADF files to implementation alternatives stored in HDB. Using this information it is possible to fetch correct hardware description language (HDL) files from the hardware block library for cost estimation and processor generation. This file is needed, by ProGe and PIG.

The XML snippet below gives an idea of IDF.

```
<adf-implementation>
...
<fu name="LSU">
  <hdb-file>asic_130nm_1.5V.hdb</hdb-file>
  <fu-id>62</fu-id>
</fu>
...
```

### 2.2.5 Binary Encoding Map

Filename extension: .bem

Provides enough information to produce an executable uncompressed bit image from TPEF program data.

### 2.2.6 Operation Set Abstraction Layer (OSAL) Files

Filename extension: .opp, .cc, .opb

OSAL stores the simulation behavior and static properties of operations that can be added to the function units in the designed processors.

Simulation behavior of function unit operations is described by implementing simulation functions which can be plugged in to the simulator run time.

The .opp file is an XML file for defining the static properties of operations (for example, how many inputs and outputs an operation has). The .cc is the C++ source file that defines the behavior model for a set of operations. The .opb is the plugin module compiled from the .cc. OSAL is quite complex and further details are presented in Section 4.3.

### 2.2.7 Simulation Trace Database

Filename extension: .tracedb

Stores data collected from simulations and used by instruction scheduler (profiling data) and cost estimator (utilization statistics, etc.).

### 2.2.8 Exploration Result Database

Filename extension: .dsdb

Exploration Result Database (ExpResDB) contains the configurations that have been evaluated during exploration (manual or automatic) and a summary of their characteristics. Files that define each tested configuration (ADF and IDF) are stored in the database as well.

### 2.2.9 Summary of file types

Table 2.2 summarizes briefly the most common OpenASIP file types.

Table 2.2: Summary of file types

Postfix	Purpose	Format
adf	Architecture description	XML
idf	Implementation/microarchitecture description	XML
hdb	HW database	SQLite
tpef	TTA program exchange format	bin
bem	Binary encoding map	XML
opp	Operation properties	XML
cc	Simulation behavior of an operation	C++
opb	Compiled operation behavior	bin
tracedb	Database of simulation and cost estimation results	SQLite
dsdb	Database of exploration results and TTA configurations	SQLite

## Chapter 3

# TUTORIALS AND HOW-TOS

This section presents 11 tutorials covering the basics, printing and streaming I/O, floating-point computation, parallel assembly, multiple memories, FPGA considerations and programming TTAs using OpenCL C.

Let's start with the simplest one.

### 3.1 Open ASIP Tour

This tutorial goes through most of the tools in OpenASIP using a fairly simple example application. It starts from C code and ends up with VHDL of the processor and a bit image of the parallel program. This tutorial will also explain how to accelerate an algorithm by customizing the instruction set, i.e., by using custom operations. The total time to go through the tutorial is about 2 – 3 hours.

The tutorial file package is available at:

[http://openasip.org/tutorial\\_files/tce\\_tutorials.tar.gz](http://openasip.org/tutorial_files/tce_tutorials.tar.gz)

Fetch and unpack it to a working directory and then enter the directory:

```
> wget http://openasip.org/tutorial_files/tce_tutorials.tar.gz
> tar -xzf tce_tutorials.tar.gz
> cd tce_tutorials/tce_tour
> ls -la

total 84
drwxr-xr-x 3 tce tce 4096 2010-05-28 11:40 .
drwx----- 7 tce tce 4096 2012-05-18 13:22 ..
-rw----- 1 tce tce 5913 2010-03-08 20:01 crc.c
-rw----- 1 tce tce 1408 2008-11-07 11:35 crc.h
-rw----- 1 tce tce 3286 2008-11-07 11:35 crcTable.dat
-rw-r--r-- 1 tce tce 2345 2010-03-08 13:04 custom_operation_behavior.cc
-rw-r--r-- 1 tce tce 855 2010-05-28 11:41 custom_operations.idf
-rw----- 1 tce tce 1504 2010-03-08 20:01 main.c
-rw-r--r-- 1 tce tce 45056 2010-03-10 16:09 tour_example.hdb
drwxr-xr-x 2 tce tce 4096 2010-05-28 11:40 tour_vhdl
```

#### 3.1.1 The Sample Application

The test application counts a 32-bit CRC (Cyclic Redundant Check) check value for a block of data, in this case 10 bytes. The C code implementation is written by Michael Barr and it is published under Public

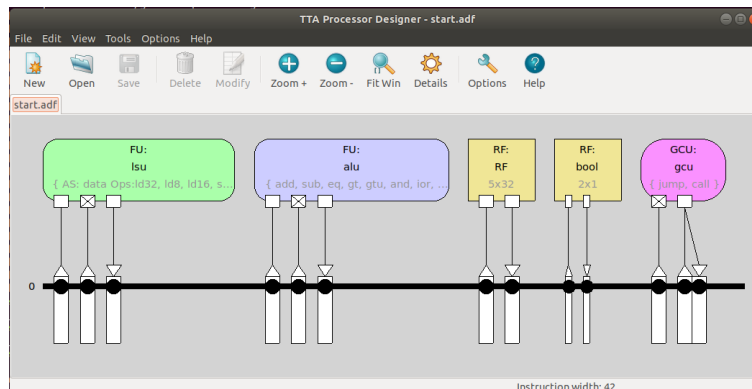


Figure 3.1: Processor Designer (prode) when minimal ADF is opened

Domain. The implementation consists of two different version of crc, but we will be using the fast version only.

The program consists of two separate files: 'main.c' contains the simple main function and 'crc.c' contains the actual implementation. Open 'crc.c' in your preferred editor and take a look at the code. Algorithm performs modulo-2 division, a byte at a time, reflects the input data (MSB becomes LSB) depending on the previous remainder, and XORs the remainder with a predefined polynomial (32-bit constant). The main difference between the crcSlow and crcFast implementations is that crcFast exploits a precalculated lookup table. This is a quite usual method of algorithm optimization.

### 3.1.2 Starting Point Processor Architecture

Copy the 'minimal.adf' file included in OpenASIP distribution to a new ADF file:

```
cp $(tce-config --prefix)/share/openasip/data/mach/minimal.adf start.adf
```

The file describes a minimalistic TTA processor containing just enough resources that the OpenASIP compiler can still compile C programs for it. We use this *minimal architecture* as the starting point. Function units in 'minimal.adf' are selected from the hardware database (HDB, Section 2.2.3) so we are able to generate a VHDL implementation of the processor automatically later in the tutorial.

You can view the architecture using the graphical Processor Designer (ProDe, Section 4.1) tool:

```
prode start.adf &
```

Fig. 3.1 shows how Prode should look like. There is 1 bus and 5 units: global control unit (GCU), 2 register files, 1 arithmetic-logic unit (ALU), and 1 load-store unit (LSU).

You'll learn how to edit the TTA with ProDe later in this tutorial.

If you want later to simulate the generated processor using GHDL (Section 3.1.9), you should decrease the amount of memory in the processor already now. Otherwise the GHDL executing the generated testbench might consume tremendous amount of memory on your computer and even crash. Select *Edit -> Address Spaces* in ProDe. Then edit the bit widths of data and instruction address spaces and set them to 15 bits which should be plenty for our case.

### 3.1.3 Compiling and simulating

We recommend that you create a bash script where you copy all these commands as you will be using them multiple times during the tutorial. In the script, you should have a sequence of commands that generates the processor, compiles the benchmarks and simulates it in RTL simulation.



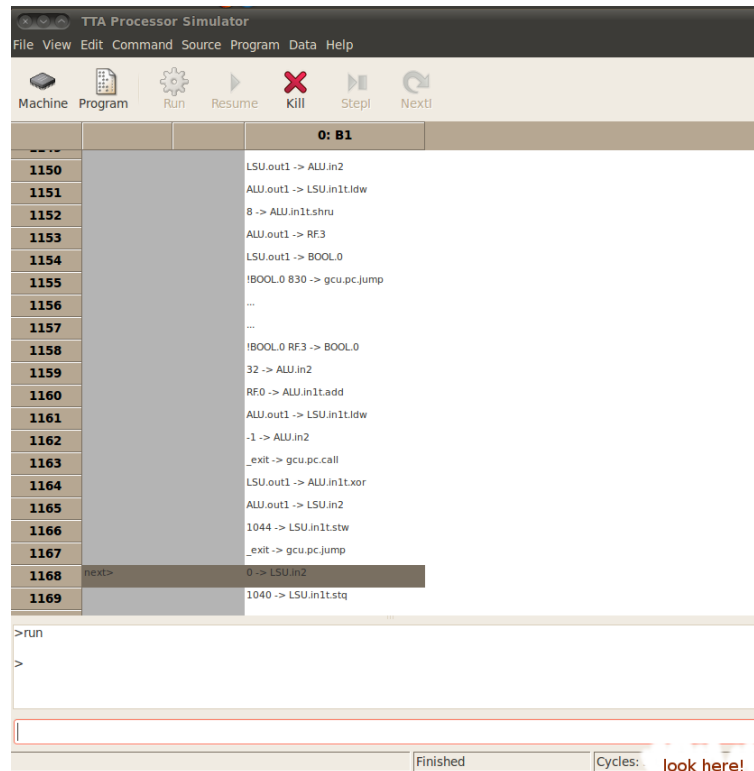


Figure 3.2: Processor Simulator (proxim) when minimal ADF and crc.tpef are opened and simulated.

Now we want to know how well the starting point architecture executes our program. We must compile the source code for this architecture with command:

```
tcecc -O3 -a start.adf -o crc.tpef -k result -k test main.c crc.c
```

In addition to source codes, the compiler needs the TTA architecture definition 'start.adf'. It will produce a parallel program called 'crc.tpef' which can only be executed on this architecture. The arguments *-k result* and *-k test* tell the compiler to keep the *result* and *test* symbols (variables on lines 29 and 30 of main.c) in the program. *Result* is needed for us to access the variable contents by name in the simulator later on.

Since the input data stored in *test* is known at compile time, without *-k test* the compiler would aggressively optimize the whole program and calculate the CRC value at compile-time and produce a program that just stores a constant in the *result* variable.

Successful compilation does not print anything and we can now simulate the program. Let's use graphical user interface version of the simulator called Proxim (Section 6.1.6):

```
proxim start.adf crc.tpef &
```

The simulator will load the architecture definition and the program and wait for commands. Proxim shows one line per instruction. Minimal TTA has only bus and hence there is only *move slot* (column in the simulator's disassembly window). The total number of instructions is about 1 200.

Execute the program by clicking "Run" and Proxim should look like Fig. 3.2. Write down the final cycle count you can see in the bottom bar of the simulator for later reference. You can use Table 3.1 for this.

You can check the result straight from the processor's memory by writing this command to the command line at the bottom of the simulator:

```
x /u w result
```

The command specifies the data width (4 bytes) and the *result* variable we told the compiler to preserve before. The correct checksum result is **0x62488e82**.

Processor resource utilization data can be viewed with command:

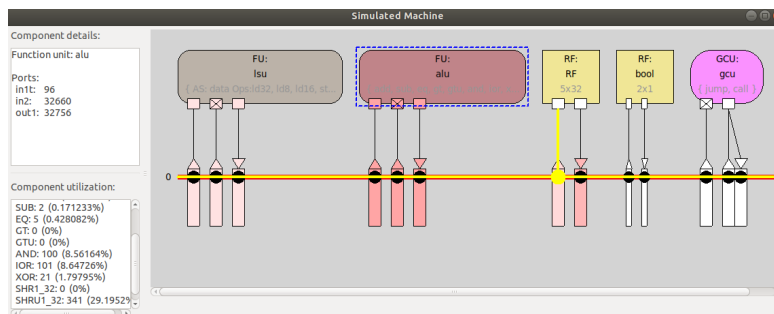


Figure 3.3: Processor Simulator (proxim) shows the utilizations of each FU and bus.

```
info proc stats
```

This will output a lot of information like the utilization of transport buses, register files and function units, for example:

```
utilizations
-----
buses:
B1                87.7559% (4415 writes)

sockets:
lsu_i1            17.4319% (877 writes)
lsu_o1            10.4949% (528 writes)
...

operations executed in function units:
LSU:
...
TOTAL              17.4319% (877 triggers)

ALU:
...
TOTAL              25.2037% (1268 triggers)
...

register accesses:
RF:
0                 855 reads,      0 guard reads,      1 writes
...

```

Your output may vary depending on the compiler version, the optimizations used and your architecture. For more information on the simulator’s command line tools and syntax, you may use the

```
help
command.
```

Proxim can also show various other pieces of information about the program’s execution and the resulting processor resource utilization. For example, to inspect visually the utilization of the resources of our architecture, select *View>Machine Window* from the top menu. The parts of the processor that are utilized the most are visualized with darker red color.

There are 3 usual ways to accelerate computation with TTA co-designs:

1. Modify the algorithm itself. Beyond the scope of this tutorial.

2. Add more basic resources (FUs, registers, buses) to the design.
3. Utilize custom operation(s), also known as special instructions.

### 3.1.4 Increasing performance by adding basic resources

As the current architecture is really minimalistic we can increase the performance easily by adding basic resources to the processor.

**Transport buses.** The architecture has only one transport bus, thus the compiler can't exploit any instruction level parallelism. In fact, it can usually execute less than one operation per cycle since it can transfer only one operand per cycle.

Let's do our first architecture customization by adding more transport buses.

First copy the current architecture to a new one:

```
cp start.adf large.adf
```

and open the new architecture in ProDe:

```
prode large.adf &
```

A new transport bus can be added simply by selecting the current bus and pressing "ctrl+c" to copy the bus and then pressing "ctrl+v" to paste it. Add 3 more buses. After you have added the buses you have to connect it to the sockets. Easiest way to do this is to select "Tools->Fully connect IC". Save the architecture, recompile the source code for the new architecture:

```
tcecc -O3 -a large.adf -o crc.tpef -k result -k test crc.c main.c
```

This time let's simulate the program using the command line interface of the instruction set simulator:

```
ttasim -a large.adf -p crc.tpef
```

The command will load the architecture and program and execute it. Once the simulation is finished, you should see the ttasim command prompt:

```
(ttasim)
```

Now when you check the cycle count from the simulator using command

```
info proc cycles
```

you should see a significant drop in cycles. Also check the processor utilization statistics from the simulator with command:

```
info proc stats
```

**Register files.** From the previous simulator statistics you can see from "operations" table that there are a lot of load and store operations being executed. As the architecture has only 5 general purpose registers, it is likely that there are a lot of variables being spilled to memory instead of keeping them in the fast register file, which causes the large number of memory operations.

Table 3.1: Cycle counts in different TTA configurations. You'll fill this during the tutorial

ADF	Cycle count	Approx. relative cycle count	Section(s)	Comment
start.adf		1	3.14.3	
large.adf		1/2	3.1.4	start + 3 buses
large.adf		1/3	-"-	start + 3 buses + RF
large.adf		1/10	-"-	start + 3 buses + RF + new ALUs
custom.adf		1/3	3.1.5 - 3.1.9	start + custom op FU
large_custom.adf		1/25	3.1.10	large + custom op FU

Let's try how the amount of registers affect the cycle count. There are two options how we can add registers. We can either increase the number of registers in a register file or add a second register file.

Let's try the latter option because this way we also increase the number of registers that can be accessed in parallel without increasing the number of read ports per register file.

This can be done by selecting the RF and using the copy (ctrl-c) and paste (ctrl-v) method as we did with the transport buses previously. Then just connect the new RF to the interconnection network.

After recompiling and simulating, you should see significant performance increase. As expected, the number of load and store operations decreased. But notice also that the number of add operations decreased quite a lot. The reason is simple: additions were used to calculate stack memory offsets for the spilled registers.

**Function units.** Next subject for the bottleneck is the ALU as now all the basic operations are performed in a single function unit. From the simulator statistics you can see that the shift-by-one-bit operation *SHRUI\_32* is heavily utilized. Longer shifts are emulated by executing this operation multiple times. So, let's add a shifter that is capable of shifting by multiple bits. These shift operations are named *SHRU*, *SHR* and *SHL*.

Let's add a suitable FU from a hardware database: Select "Edit->Add From HDB->Function Unit...". Find a FU which has just these three operations and click "Add".

Also logical operations and addition are used quite often. Instead of duplicating the ALU let's add more specific FUs from the Hardware Database. Select a FU which has operations *and(1)*, *ior(1)*, *xor(1)* and click "Add". Close the dialog, connect the function units and save the architecture. Recompile and simulate to see the effect on cycle count.

The architecture could be still modified even further to drop the cycle count, but let's settle for this now and move on to custom operations.

### 3.1.5 Considering custom operations

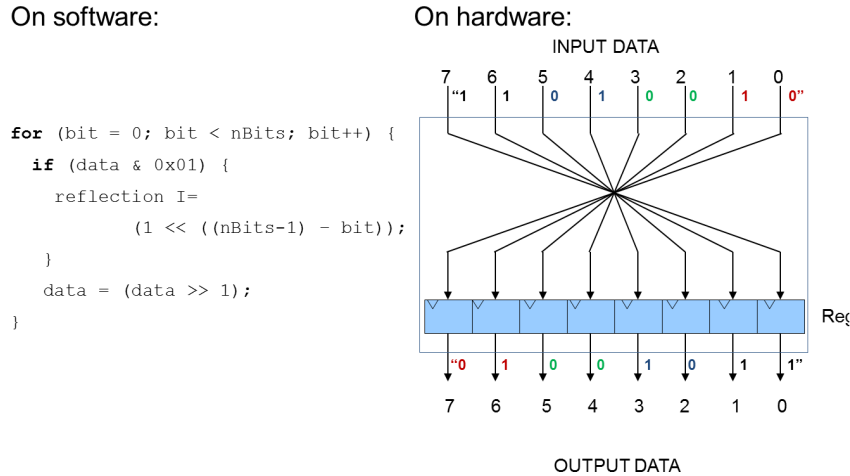
Custom operations (also known as special instructions) can be used to accelerate application-specific functionality. This part of the tutorial teaches how to accelerate the CRC application using CRC-specific operations.

First of all, it is quite simple and efficient to implement CRC calculation entirely on hardware. However, implementing the whole CRC function as a custom operation would be quite pointless and the flexibility benefits of using a processor-based implementation would diminish. Instead, we will concentrate on applying a "fine grained" custom operation which accelerates a smaller part of the algorithm, while keeping the architecture useful also for other applications.

The steps in creating a processor design which has custom operations are typically as follows:

1. Analyze the code for bottlenecks.
2. After a potential custom operation is found, add a new module and operation to operation database with OSEd. This includes basic properties of the operation and a definition of the simulator behavior of the new operation, which often can be done with copy-paste from original C code with a few macros added.
3. Add the new operation to a function unit using ProDe.
4. Modify your source code so that it utilizes the new operation, and simulate. Go back to step 2 if you wish to explore other custom operation options.
5. Create VHDL implementation of the operation and add it to HDB.
6. Finally, generate HDL implementation of the whole TTA processor with ProGe.

Finding the operation to be optimized is quite obvious in this case if you look at function *crcFast()*. It consists of a for-loop in which the function *reflect()* is called through the macro *REFLECT\_DATA*. If



you look at the actual function (shown also in Fig. 3.4 you can see that it is quite simple to implement on hardware (just wiring), but requires many instructions if done with basic operations in software: The function “reflects” the bit pattern around the middle point like a mirror. For example, the bit pattern **11010010** becomes **01001011**. The main complexity of the function is that the bit pattern width is not fixed. Fortunately, the width cannot be arbitrary. If you examine the `crcFast()`-function and the `reflect` macros you can spot that function `reflect()` is only called with 8 and 32 bit widths (unsigned char and 'crc' which is an unsigned long).

A great advantage of OpenASIP is that the operation semantics, processor architecture, and implementation are separate abstractions. This simplifies designing custom operations since you can simulate your design by simply defining the simulation behaviour of the operation (in C/C++) and setting the latency (cycle count) of the operation to the processor architecture definition. This is convenient as you do not need an actual hardware implementation of the operation at this point of the design, but can evaluate different custom operation possibilities at the architectural level. However, this brings up an awkward question: How to determine the latency of the operation at this stage? Unrealistic or too pessimistic latency estimates can produce inaccurate performance results and bias the analysis.

If there is unclarity of what the realistic cycle count could be, a good approach is to take an educated guess and simulate the test cases of interest with different latency candidates. This way one can determine a latency range in which the custom operation would accelerate your application to the satisfactory level. For example, a custom operation with 1 cycle latency might give 3x speedup *in terms of number of cycles*, but 10 cycles would give just 3%.

After this you can sketch how the operation could be implemented in hardware, or consult someone knowledgeable in digital design to figure out whether the custom operation can be reasonably implemented within the latency constraint and the targeted clock frequency.

Another approach is to try and determine the latency by examining the operation itself and considering how it could be implemented. This approach requires some insight in digital design.

Besides latency you should also consider the size of the custom function unit. It will consume extra die area, but the size limit is always case-specific, especially when area taken by memories is accounted. Accurate size estimation requires the actual HW implementation and synthesis.

Let us consider the reflect function HW implementation a bit: If it had only a single fixed width, we could implement the reflect by hard wiring (and registering the output) because the operation only moves bits to other locations in the word. This definitely could be done easily in one clock cycle even with high clock frequency targets, as in the right side of Fig. 3.4. But since we need to support two different bit widths, it is somewhat more complicated. We could design the HW in such way that it has two operations: one for 8-bit data and another for 32-bit data. One way to implement this is to have 32-bit wide crosswiring and register the output. The 8-bit value would be reflected to the 8 MSB bits of the 32-bit wiring. Then we need to move the 8 MSB bits to the LSB end and set rest to zero. This moving can be implemented using

multiplexers. So, concerning the latency, this can all be done easily within one clock cycle as there is not much logic needed.

### 3.1.6 Creating the custom operation

Now we have decided the operation to be accelerated and its latency.

Next we will create a function unit implementing the operation and add it to our processor design. First, a description of the semantics of the new operation must be added at least to Operation Set Abstraction Layer (Sections 2.2.6 and 4.3). OSAL stores the semantic properties of the operation, which includes the simulation behavior, operand count etc., but not the latency. OSAL definitions can be added by using the OSAL GUI, *OSed* (Section 4.2.1).

Synthesis or simulation at RTL level requires that at least one function unit implementing the operation must be added to the Hardware Database (Section 2.2.3).

#### Using Operation Set Editor (OSEd) to add the operation data.

OSEd is started with the command

```
osed &
```

Create a new operation module, which is a container for a set of operations. You can add a new module in any of the predefined search paths, provided that you have sufficient file system access permissions.

For example, choose directory `'/home/user/.openasip/opset/custom'`, where *user* is the name of the user account being used for the tutorial. This directory is intended for the custom operations defined by the current user, and should always have sufficient access rights.

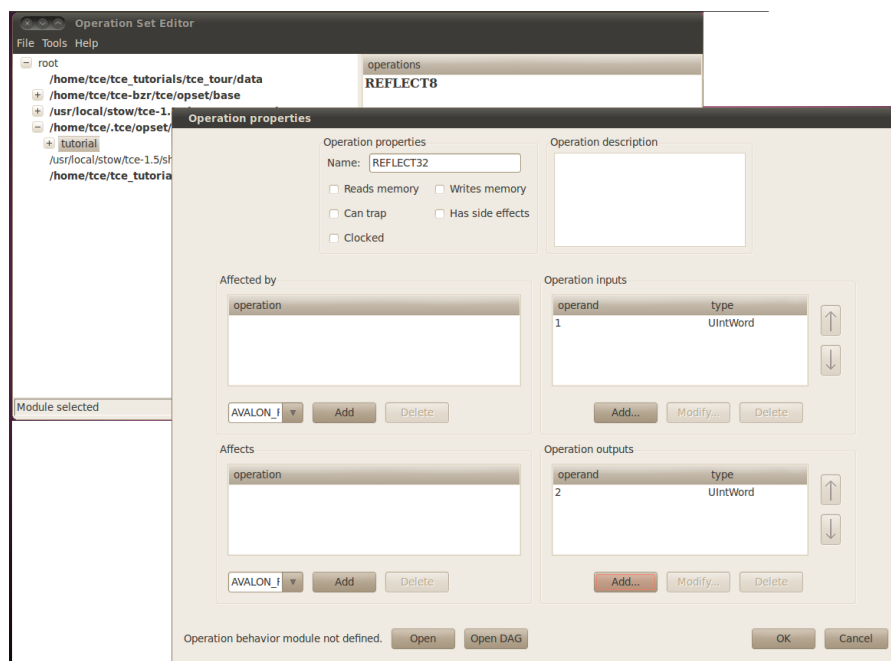


Figure 3.5: Operation Set Editor when adding new operation REFLECT32.

1. Click the root in the left area of the main window which opens list of paths. Right-click on a path name `'/home/user/.openasip/opset/custom'`. A drop-down menu appears below the mouse pointer.
2. Select **Add module** menu item.
3. Type in the name of the module (for example, `'tutorial'`) and press **OK**. The module is now added under the selected path.

**Adding the new operations.** We will now add the operation definitions to the newly created operation module.

1. Select the module that you just added by right-clicking on its name, displayed in the left area of the main window. A drop down menu appears.
2. Select **Add operation** menu item.
3. Type 'REFLECT8' as the name of the operation.
4. Add one input by pressing the *Add* button under the operation input list. Select *UIntWord* as type.
5. Add one output by pressing the *Add* button under the operation output list. Select *UIntWord* as type.
6. After the inputs and the output of the operation have been added, close the dialog by pressing the *OK* button. A confirmation dialog will pop up. Press *Yes* to confirm the action. The operation definition is now added to the module.
7. Then repeat the steps for operation 'REFLECT32' as shown in Fig. 3.5

**Defining the simulation behaviour of the operations** The new operations REFLECT8 and REFLECT32 do not yet have simulation behavior models, so we cannot simulate programs that use these operations with the OpenASIP processor simulator. Open again the operation property dialog by right-clicking REFLECT8, then choosing *Modify properties*. Now press the *Open* button at the bottom to open an empty behavior source file for the module. Copy-paste (or type if you have the time!) the following code in the editor window. This code is also in 'custom\_operation\_behavior.cc' in the handout directory for your convenience.

```
#include "OSAL.hh"
OPERATION(REFLECT8)
TRIGGER

unsigned long data = UINT(1);
unsigned char nBits = 8;

unsigned long reflection = 0x00000000;
unsigned char bit;

/*
 * Reflect the data about the center bit.
 */
for (bit = 0; bit < nBits; ++bit)
{
    /*
     * If the LSB bit is set, set the reflection of it.
     */
    if (data & 0x01)
    {
        reflection |= (1 << ((nBits - 1) - bit));
    }

    data = (data >> 1);
}

IO(2) = static_cast<unsigned> (reflection);

return true;
```

```

END_TRIGGER;
END_OPERATION(REFLECT8)

OPERATION(REFLECT32)
  TRIGGER

  unsigned long data = UINT(1);
  unsigned char nBits = 32;

  unsigned long reflection = 0x00000000;
  unsigned char bit;

  /*
   * Reflect the data about the center bit.
   */
  for (bit = 0; bit < nBits; ++bit)
  {
    /*
     * If the LSB bit is set, set the reflection of it.
     */
    if (data & 0x01)
    {
      reflection |= (1 << ((nBits - 1) - bit));
    }

    data = (data >> 1);
  }

  IO(2) = static_cast<unsigned> (reflection);

  return true;
END_TRIGGER;
END_OPERATION(REFLECT32)

```

This code has the behaviour definitions for both of the operations. behavior definitions reflect the input operand integer (id 1, assigned to variable 'data') and writes the result to the "output operand" (id 2, assigned from variable 'reflection') which is the first output and signals the simulator that all results are computed successfully.

To understand how the behavior related to the accelerated software, open again the file 'crc.c' in your preferred editor. Compare the behaviour definition of reflect operations and the original *reflect*-function. The function is mostly similar except for parameter passing and adding few macros, such as OPERATION(), TRIGGER, IO(2) etc. Custom hardware operation behavior reads data from the function unit's input ports and writes to output ports. The value of nBits is determined from the operation code (REFLECT8 or REFLECT32). Since the original software and the simulation behavior are both defined in C/C++, it is often easy to copy-paste the simulation behavior definition from the part we plan to convert to a custom operation, like was done here.

Save the code and close the editor. REFLECT8 and REFLECT32 operations now have simulator behaviour models.

**Compiling operation behavior.** REFLECT-operations have been added to the test module. Before we can simulate the behavior of our operation, the C++-based behavior description must be compiled to a plugin module that the simulator can call.

1. Right-click on the module name ('tutorial') displayed in the left area to bring up the drop down menu.



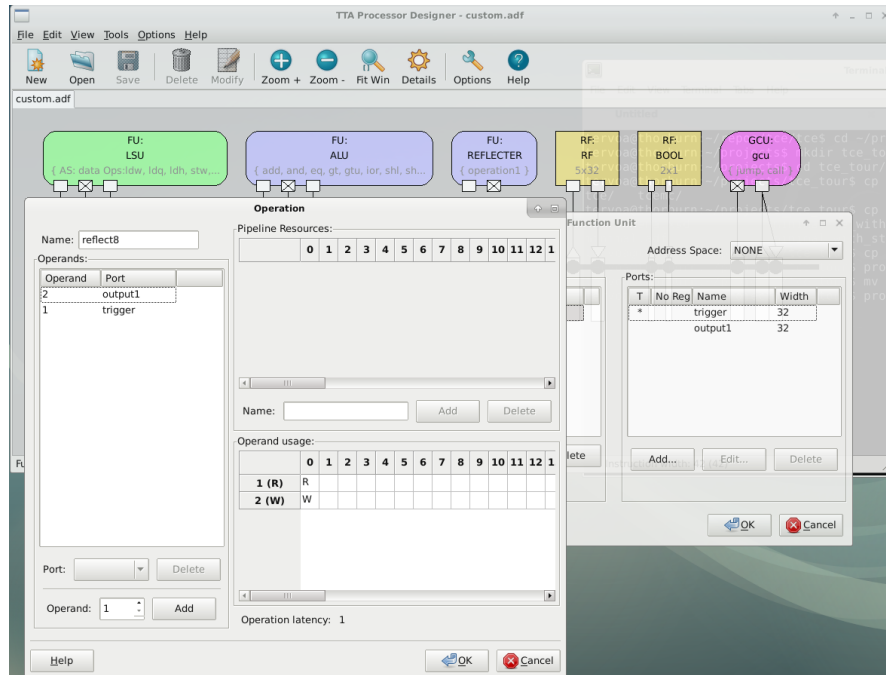


Figure 3.6: Adding operation REFLECT8 to a new function unit in ProDe.

2. Select **Build** menu item.
3. Hopefully, no errors were found during the compilation! Otherwise, re-open the behaviour source file and try to locate the errors with the help of the diagnostic information displayed in the build dialog.

After the operation simulation model has been added and compiled, the operation can be simulated separately to test that the definition is correct. But for the sake of shortcut we will skip the operation simulation here. If you are interested, check Section 4.2.1 for information.

You can close OSEd now.

**Adding a special function unit to the architecture.** Now the operation definitions of the custom operations have been added to the Operation Set Abstraction Layer (OSAL) database. Next we need to add at least one function unit (FU) which implements these operations so that they can be used in the processor design. Take note of the separation between “operation” and an “function unit” that implements the operation(s), which allows using the same OSAL operation definitions in multiple FUs with different latencies.

First, add the architecture of the FU that implements the custom operations to the starting point processor architecture. Let’s take a copy of the starting point processor design which we can freely modify and still be able to easily compare the architecture with and without the custom operation support later on:

```
cp start.adf custom.adf
```

Open the copy in ProDe:

```
prode custom.adf &
```

Then:

1. Add a new function unit to the design, right click the canvas and select: *Add>Function Unit*. Name the FU "REFLECTER". Add one input port (named trigger) and one output port (named output1), to the FU in the Function unit dialog. When adding the input port, set the port as triggering by checking the *Triggers* checkbox. This port starts the execution of the operation when it is written to.

2. Add the operation "REFLECT8" we defined to the FU: *Add from opset>REFLECT8>OK* and set the latency to 1. Click on the REFLECT8 operation and ensure that the operation input is bound to the input ports and the output is bound to the output port. Check that the operand usage is in such a way that input is read at cycle 0 and the result is written at the end of the cycle (can be read from the FU on the next cycle), as in Fig. 3.6. Thus, the latency of the operation is 1 clock cycles.
3. Repeat the previous step for operation "REFLECT32" and click OK.
4. Now an FU that supports the custom operations has been added to the architecture. Next, connect the FU to the rest of the architecture. This can be most easily done by selecting *Tools->Fully Connect IC* which connects all FUs to all the buses. Save the architecture description by clicking Save.

### 3.1.7 Calling the custom operation from the C code

To get some benefits from the added custom hardware, we must use it from the C code. This is done by replacing a C statement with a custom operation invocation.

Let us first backup the original C code.

```
cp crc.c crc_with_custom_op.c
```

Then open 'crc\_with\_custom\_op.c' in your preferred text editor.

1. Usage of custom operation macros/intrinsics is as follows:

```
_OA_<opName>(input1, ... , inputN, output1, ... , outputN);
```

where <opName> is the name of the operation in OSAL. Number of input and output operands depends on the operation. Input operands are listed first and they are followed by output operands, if any.

In our case we need to write a single word into the reflecter and read the reflected result from it. We named the operations "REFLECT8" and "REFLECT32", thus the intrinsics calls we need are as follows:

```
_OA_REFLECT8(input1, output);
_OA_REFLECT32(input1, output);
```

Let's modify the `crcFast` function to use the custom op. First declare 2 new variables at the beginning of the function:

```
crc input;
crc output;
```

These will help when calling the reflect custom operations.

Take a look at the `REFLECT_DATA` and `REFLECT_REMAINDER` macros. The first one has a magic number 8 and "variable" X is the data. This is used in the for-loop of `crcFast()`.

The input data of reflect function is read from array `message[]` in the for-loop. Let us modify this so that at the beginning of the loop the input data is read to the input variable. Then we will use the `_OA_REFLECT8` macro to run the custom operation, and finally replace the `REFLECT_DATA` macro with the output variable. After these modifications the body of the for-loop should look like this:

```
input = message[byte];
_OA_REFLECT8(input, output);
data = (unsigned char) output ^ (remainder >> (WIDTH - 8));
remainder = crcTable[data] ^ (remainder << 8);
```

Next we will modify the return statement. Originally it uses a REFLECT\_REMAINDER macro where nBits is defined as WIDTH and data is remainder. Simply use \_OA\_REFLECT32 macro before return statement and replace the original macro with the variable output:

```
_OA_REFLECT32(remainder, output);
return (output ^ FINAL_XOR_VALUE);
```

And now we are ready. Remember to save the file.

2. Compile the C code that now uses custom operations for the architecture that includes the special function units:

```
tcecc -O3 -a custom.adf -o crc_with_custom_op.tpef -k result \
-k test crc_with_custom_op.c main.c
```

3. Simulate the parallel program. This time we will use the command line simulator ttasim. We will also enable writing of bus trace. It means that the simulator writes a text file containing the bus values of the processor from every executed clock cycle. This bus trace data will be used to verify the processor RTL implementation. Start the simulator with command:

```
ttasim
```

Then enable the bus trace setting:

```
setting bus_trace 1
```

Load architecture and program and run the simulation

```
mach custom.adf
prog crc_with_custom_op.tpef
run
```

Verify that the result is the same as before (*x /u w result*). It should be the same as earlier (**0x62488e82**). Check the cycle count *info proc cycles* and compare it to the cycle count of the version which does not use a custom operation. You should see a very noticeable drop compared to the starting point architecture without the custom operations. Write this cycle count down for a later step and quit ttasim.

The simulator execution also created a file 'crc\_with\_custom\_op.tpef.bustrace' which contains the bus trace.

### 3.1.8 Adding HDL implementation of the FU to the hardware database (HDB).

Now we have seen that the custom operation accelerates our application. Next we'll add a VHDL implementation of the custom FU to Hardware Database (hdb). This way we will be able to generate a VHDL implementation of our processor.

If you want to skip this phase you can use the given 'tour\_example.hdb' instead of creating it yourself.

Start HDBEditor (see Section 4.8):

```
hdbeditor &
```

OA needs some data of the FU implementation in order to be able to generate processors that include the FU.

1. Create a new hdb and name it tour.hdb. Add the "reflector" function unit from 'custom.adf' file (*edit->add->FU architecture from ADF*). You can leave the checkboxes "parametrized width" and "guard support" unchecked, which is the default. Then define implementation for the added function unit entry *right click reflect -> Add implementation...*

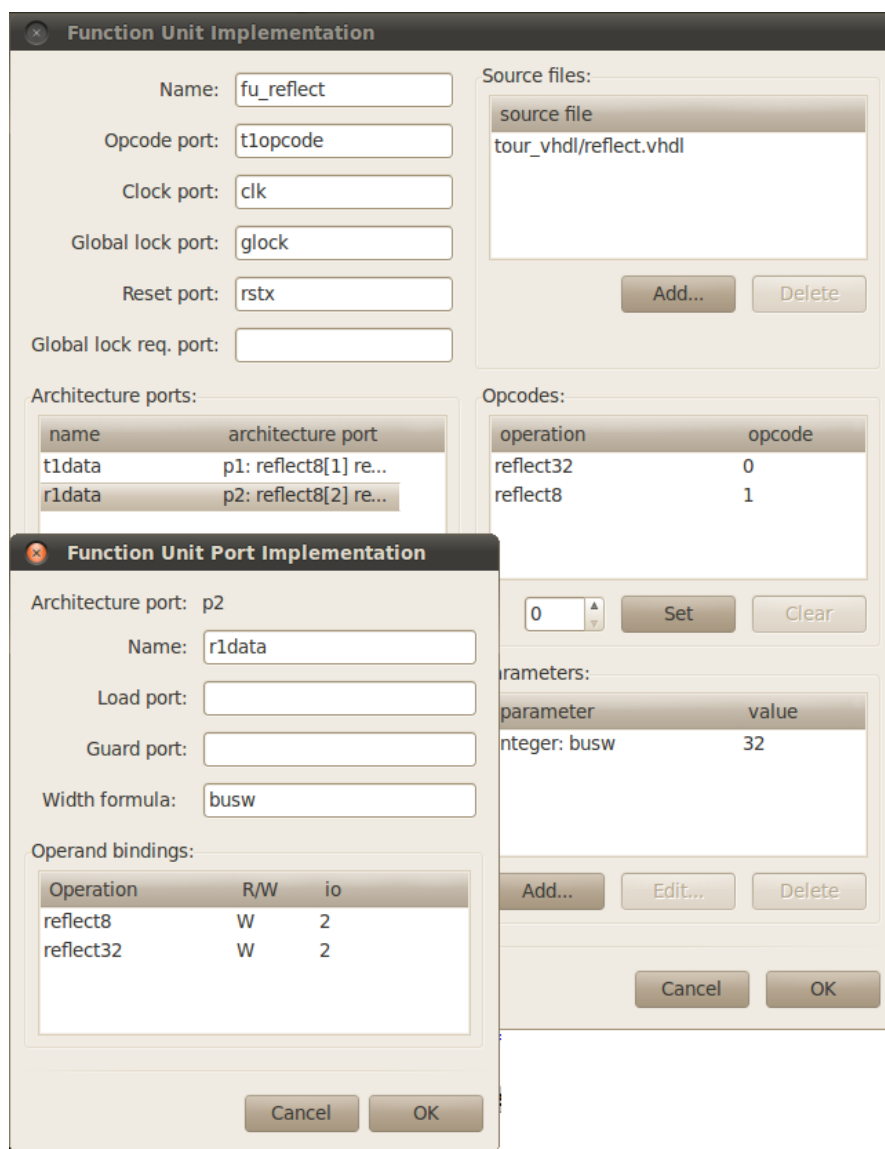


Figure 3.7: Adding the implementation of custom operations to HW database

2. Open file 'tour\_vhdl/reflect.vhdl' that was provided in the tutorial package with the editor you prefer, and take a look. This is an example implementation of a TTA function unit performing the custom 'reflect8' and 'reflect32' operations.
3. The HDB implementation dialog needs the following information of the VHDL:

#### 1. Name of the entity and the naming of the FU interface ports.

Name the implementation after the top level entity: "fu\_reflect".

By examining the VHDL code you can easily spot the clock port (clk), reset (rstx) and global lock port (glock). Operation code (opcode) port is t1opcode. Write these into the appropriate text boxes. You do not have to fill the Global lock req. port field because the function unit does not stall, i.e. does not request a global lock to the processor during its execution.

#### 2. Opcodes.

Check that the operation codes match the top of the vhdl file. REFLECT32 has operation code "0" and REFLECT8 has operation code "1".

The operation codes must be always numbered according to the alphabetical order of the OSAL operation names, starting at 0. For example, in this case REFLECT32 is earlier than REFLECT8 in the alphabetical order (i.e. 3 becomes before 8).

#### 3. Parameters.

Parameters can be found from the VHDL generics. On top of the file there is one parameter: busw. It tells the width of the transport bus and thus the maximum width of input and output operands.

Thus, add parameter named busw, type it as integer and set the value to 32 in the Parameter dialog.

#### 4. Architecture ports.

These settings define the connection between the ports in the architectural description (ADF) of the FU and the VHDL implementation. Each input data port in the FU is accompanied with a load port that controls the updating of the FU input port registers.

Choose a port in the Architecture ports dialog and click edit. Name of the architecture port p1 is t1data (as in VHDL) and associated load signal is t1load. Width formula is the parameter busw. No guard port is needed in this case.

Name the output port (p2) to r1data and the width formula is now busw because the output port writes to the bus. The output port does not have a load signal.

#### 5. Add VHDL source file.

Add the VHDL source file into the Source code dialog. Notice that the HDL files must be added in the compilation order (see Section 4.8). But now we have only one source file so we can simply add it without considering the compilation order (Add -> Browse -> tour\_vhdl/reflect.vhdl).

Now you are done with adding the FU implementation, see Fig. 3.7. Click OK.

### 3.1.9 Generating the VHDL and memory images

In this step we generate the VHDL implementation of the processor, and the bit image of the parallel program. The RTL can be then synthesized to the targeted implementation technology (FPGA or an ASIC tech.) using its proprietary tool flows and the program bitimage uploaded to its instruction memory.

**Select function unit implementations** Next, we must select implementations for all components in the architecture. Each architecture component can be implemented in multiple ways, so we must choose one implementation for each component to be able to generate the implementation for the processor. For helping in this this we have an automated tool in ProDe:

```
prode custom.adf
```

Then we'll select implementations for the FUs which can be done in *Tools>Processor Implementation...*

1. Selecting implementations for register files, immediate units and function units can be done in two different ways.
  - (a) Manual selection: The user chooses the implementations from HDB files one by one as follows.
    - i. Select implementation for RF: Click the RF name, 'Select Implementation', find the OS's default HDB file (PREFIX/share/openasip/hdb/asic\_130nm\_1.5V.hdb) from your tce installation path and select an implementation for the RF from there. Note that the selection window is not currently very informative about the different implementations, so a safe bet is to select an implementation with a parametrizable width/size.
    - ii. Next select implementation for the boolean RF like above. But this time select an implementation which is guarded i.e. select an implementation which has word "guarded\_0" in its name.
    - iii. Similarly, select implementations for the function units from OpenASIP's default HDB. Notice that it is vital that you choose the implementation for LSU from the asic\_130nm\_1.5V.hdb. Then select implementation for the reflecter but this time you have to use the 'tour.hdb' created earlier to find the FU we added that supports the REFLECT custom operations.
  - (b) Automatic selection - ProDe chooses the implementations from HDB files.
    - i. Select implementations for register files and function units all at once: Click Auto Select Implementations, find the OpenASIP's default HDB file from your OpenASIP installation path (PREFIX/share/openasip/hdb/asic\_130nm\_1.5V.hdb), make sure 'Register Files' and 'Function Units' checkboxes are checked and press 'Find'. A dialog should appear saying 4 implementations were found; 2 for register files and 2 for function units. Click 'Yes'. If the number of found implementations was under 4 in your case, refer to the manual implementation selection above.
    - ii. Browse to Function Units page if you were not on it already. You should see, that reflecter FU is still without implementation (because it is not defined in asic\_130nm\_1.5V.hdb). Select Auto Select Implementations again, find 'tour.hdb' as the HDB file, and press 'Find'. 1 FU implementation should be found (the reflecter), click 'Yes'. Now all your register files and function units should have implementations.
2. Enable bus tracing from the Implementation-dialog's IC / Decoder Plugin tab. Set the bustrace plugin parameter to "yes" and the bustracestartingcycle to "5". The generated processor will now get a component which writes the bus value from every cycle to a text file for verification purposes. Notice that this option should not be used if the processor will be synthesized.  
You do not have to care about the HDB file text box because we are not going to use cost estimation data.
3. Click "Save IDF..." and save the implementation decisions to a file called 'custom.idf'.

**Generate the VHDL for the processor using Processor Generator (ProGe).** You can start processor generation from ProDe's implementation selection dialog: Click "Generate Processor". For Binary Encoding Map: Select the "Generate new", see Fig. 3.8

In the target directory click "Browse" and create a new directory 'proge-output' and select it. Then click OK to generate the processor RTL.

Or alternatively, if you prefer command line:

```
generateprocessor -t -i custom.idf -o proge-output custom.adf
```

Flag `-t` generates a testbench, `-i` defines the implementation file, and `-o` the output directory. Now directory 'proge-output' includes the VHDL implementation of the designed processor except for the instruction memory width package which will be created by Program Image Generator. You can take a look what the directory includes, how the RF and FU implementations are collected up under 'vhdl' subdir and the interconnection network has been generated to connect the units (the 'gcu\_ic' subdir). The 'tb' subdir contains testbench files for the processor core. Moreover, there are 4 shell scripts for compiling and simulating the VHDL codes in Modelsim and GHDL.

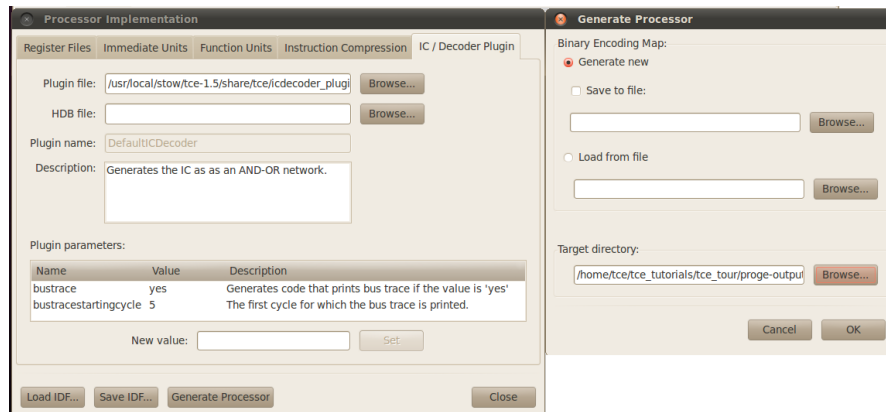


Figure 3.8: Generating the VHDL for the processor.

**Generate instruction memory bit image using Program Image Generator.** Finally, to get our shiny new processor some bits to chew on, we use the *generatebits* tool to create instruction memory and data memory images:

```
generatebits -d -w 4 -p crc_with_custom_op.tpef -x proge-output custom.adf
```

Flag *-d* creates data images, *-w 4* set data memory width 4 MAUs (Minimum Addressable Units, bytes in this case), *-p* defines the program, *-x* defines the HDL directory, and *adf* is given without a flag.

Now the file 'crc\_with\_custom\_op.img' includes the instruction memory image in "ascii 0/1" format. Each line in that file represents a single instruction. Thus, you can get the count of instructions by counting the lines in that file:

```
wc -l crc_with_custom_op.img
```

Accordingly, the file 'crc\_with\_custom\_op\_data.img' contains the data memory image of the processor. Program Image Generator also created file 'proge-output/vhdl/tta0\_imem\_mau\_pkg.vhdl' which contains the width of the instruction memory (each designed TTA can have a different instruction width). The *\_imem\_mau\_pkg.vhdl* file is appended with the top level entity name, which in this case is "tta0".

**Simulation and verification** If you have GHDL or Modelsim installed you can now simulate the processor VHDL. First cd to proge-output directory:

```
cd proge-output
```

Then compile and simulate the testbench. With GHDL:

```
./ghdl_compile.sh
./ghdl_simulate.sh
```

Or with Modelsim:

```
./modsim_compile.sh
./modsim_simulate.sh
```

Compilation gives a couple of warnings from Synopsys' *std\_arith* package but that should do no harm. Simulation will take some time as the bus trace writing is enabled. If you did not change the memory widths in Prode (Section 3.1.2), the simulation will crash and print "Killed". There will be many warnings at *0ns* due uninitialized signals but you can ignore them.

After simulation, you should see a message `./testbench:info: simulation stopped by --stop-time`. The simulation produces file "bus.dump" which looks like this:

```
0,00000000
1,00000004
2,00007ff8
```

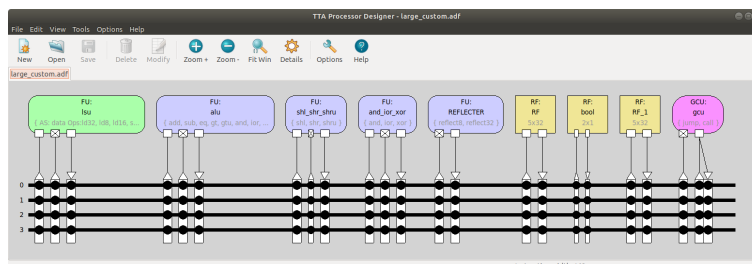


Figure 3.9: Processor Designer (prode) with large\_custom.adf

```
3,00000018
```

```
...
```

As the testbench is ran for constant amount of cycles we need to get the relevant part out of the bus dump for verification. This can be done with command:

```
head -n <number of cycles> bus.dump > sim.dump
```

where the <number of cycles> is the number of cycles in the previous ttasim execution (same as line count in 'crc\_with\_custom\_op.tpef.bustrace'). Then compare the trace dumps from the VHDL simulation and the architecture simulation:

```
diff -u sim.dump ../crc_with_custom_op.tpef.bustrace
```

If the command does not print anything the dumps were equal and the RTL simulation matches the ttasim. Now you have succesfully added a custom operation, verified it, and gained a notable performance increase. Well done!

### 3.1.10 Further acceleration by adding custom operation to large TTA

As a final step, let us add the custom operation to the large TTA.

```
cp large.adf large_custom.adf
```

```
prode large_custom.adf
```

Add the reflector FU from the tour.hdb like done earlier. Fully connect the IC, as in Fig.3.9 and save.

```
tcecc -O3 -a large_custom.adf -o crc_with_custom_op.tpef -k result -k test crc_with_custom_op.c main.c
```

```
ttasim -a large_custom.adf -p crc_with_custom_op.tpef
```

```
info proc cycles
```

Voila! Now you have a lightning fast TTA.

### 3.1.11 Final Words

This tutorial is now finished. Now you should know how to customize the processor architecture by adding resources and custom operations, as well as generate the processor implementation and its instruction memory bit image.

This tutorial used a “minimalistic” processor architecture as our starting point. The machine had only 1 transport bus and 5 registers so it could not fully exploit the parallel capabilities of TTA. Then we increased resources in the processor, like extra buses, register file, and 2 new ALUs and the cycle count dropped to 1/10th. Adding 2 simple custom operations to the starting point architecture reduces the cyclecount to 1/3rd and in a large machine the speedup in cyclecount is about 25x.

The end result is not optimal, because we want to keep this tutorial simple. For example the buses are fully connected to all components, which is not optimal when it comes to hardware implementation. The connections should be trimmed for example by using the ConnectionSweeper tool 6.4.3. Another point that could be improved upon is the bitshifter FU, it takes variable bitshifts as input which is a lot more



complex then what we use it for in the end, because after the custom reflection operation was introduced only a 24 bit rightshift and an 8 bit leftshift remain in our program.

## 3.2 Hello OpenASIP World!

What would a tutorial be without the traditional “Hello World!” example? Interestingly enough, printing out “Hello World” in a standalone (operating system free) ASIP is not totally straightforward. That is the reason this tutorial is not the first one in this tutorial chapter.

The first question is: where should I print the string? Naturally it is easy to answer that question while working with the simulator: to the simulator console, of course. However, when implementing the final hardware of the ASIP, the output is platform dependent. It can be a debugging interface, serial port output, etc.

In order to make printing data easier from ASIPs designed with OA, we have included an operation called `STDOUT` in the “base operation set” that is installed with the tools. The simulation behavior of the operation reads its input, expects it to be a 8bit char and writes the char verbatim to the simulator host’s standard output. Of course, in case the designer wants to use the operation in his final system he must provide the platform specific implementation for the function unit (FU) implementing the operation, or just remove the FU after the design is fully debugged and verified.

The default implementation of `printf()` in OpenASIP uses the `STDOUT` operation to print out data. Therefore, implementing a “Hello World” application with OpenASIP is as simple as adding an FU that implements the `STDOUT` to the processor design and then calling `printf()` in the simulated program. The simulator should print out the greeting as expected.

Here is a simple C code (`hello.c`) that prints the magic string:

```
#include <stdio.h>

int main() {
    printf("Hello TTA World!");
    return 0;
}
```

Next, compile it to an architecture that implements the `STDOUT`. OpenASIP ships with a minimal architecture that also includes the `STDOUT` function unit, which you can use:

```
cp $(tce-config --prefix)/share/openasip/data/mach/minimal_with_stdout.adf .
tcecc --swfp -O0 hello.c -a minimal_with_stdout.adf -o hello.tpef
```

It should compile without errors. Beware: the compilation can take a while on a slower machine. This is because `printf()` is actually quite a large function and the compiler is not yet optimized for speed.

Finally, simulate the program to get the greeting:

```
ttasim -a minimal_with_stdout.adf -p hello.tpef --no-debugmode
Hello TTA World!
```

That’s it. Happy debugging!

## 3.3 Streaming I/O

Because OpenASIP produces processors without operating system services, there is also no file system available for implementing file-based I/O. Therefore, one popular way to get input and output to/from the TTA is using shared memory for communicating the data. For stream processing type of applications, one can also use an I/O function unit that implements the required operations for streaming.

OpenASIP ships with example operations for implementing stream type input/output. These operations can be used to read and write samples from streams in the designed TTA processor. The basic interface of the operations allows reading and writing samples from the streams and querying the status of an input or output stream (buffer full/empty, etc.). The status operations are provided to allow the software running in the TTA to do something useful while the buffer is empty or full, for example switch to another thread. Otherwise, in case one tries to read/write a sample from/to a stream whose buffer is empty/full, the TTA is locked and the cycles until the situation resolves are wasted.

The example streaming operations in the base operation set are called `STREAM_IN`, `STREAM_OUT`, `STREAM_IN_STATUS`, and `STREAM_OUT_STATUS`. These operations have a simulation behavior definition which simulates the stream I/O by reading/writing from/to files stored in the file system of the simulator host. `STREAM_IN` and `STREAM_OUT` operations allow defining in/out files using `TTASIM_STREAM_IN` and `TTASIM_STREAM_OUT_FILE` environment variables respectively.

Here is an example C code that implements streaming I/O with the operations:

```
int main()
{
    char byte;
    int status;

    while (1)
    {
        _OA_STREAM_IN_STATUS(0, status);

        if (status == 0)
            break;

        _OA_STREAM_IN(0, byte);
        _OA_STREAM_OUT(byte);
    }

    return 0;
}
```

This code uses the OA operation invocation macros from *tceops.h* to read bytes from the input stream and write the same bytes to the output stream until there is no more data left. This situation is indicated with the status code 0 queried with the `STREAM_IN_STATUS` operation. The value means the stream buffer is empty, which means the file simulating the input buffer has reached the end of file.

You can test the code by creating a file `<FU_NAME>.in` with some test data, compiling the code and simulating it. The code should create a copy of that file to the stream output file `<FU_NAME>.out`. These files should reside in the directory where the simulator is started. You can get the `FU_NAME` from the streaming function units in the `adf` file.

### 3.3.1 Streaming I/O function units

VHDL implementations and HDB entries for streaming I/O have been included in OpenASIP since version 1.4. The *stream.hdb* -file in the OpenASIP installation directory contains one function unit with `STREAM_IN` and `STREAM_IN_STATUS` -operations, and another FU contains the `STREAM_OUT` and `STREAM_OUT_STATUS` -operations. These FUs can directly be instantiated in ProDe and synthesized on an FPGA along with the rest of the processor.

When these function units are instantiated in ProDe, they are realized with specific operation latencies. `STREAM_IN` and `STREAM_OUT` take 3 clock cycles, and `STREAM_IN_STATUS` and `STREAM_OUT_STATUS` execute in 1 clock cycle.

The Stream In -FU has three external ports. *ext\_data* is 8 bits wide and is used to communicate the data byte from the external stream source to the TTA FU. When the TTA application program invokes the

STREAM\_IN -operation, the *ext\_data* signal is sampled by the FU and the Stream In -FU automatically sends an acknowledge-signal back to the stream source through the *ext\_ack* port of the FU. The external stream source is supposed to provide the next stream data value to *ext\_data* upon noticing a rising edge in *ext\_ack*. The three cycle latency of the operation allows some time for this to happen. Finally, the TTA application program can query the availability of stream data by invoking the STREAM\_IN\_STATUS -operation. This command reads the value of the *ext\_status* port of the Stream In FU and the external stream device is expected to keep the signal high in this port when there is still data available, and low when the stream device has run out of data. The application program sees the status as a numerical value '1' or '0'.

The Stream Out -FU works in a similar fashion. The *ext\_data* port is now an output and provides the data to the external stream sink. The external stream sink is expected to sample the value of *ext\_data* when *ext\_dv* (data valid) is high. *ext\_dv* is automatically operated by the FU when the application program invokes the operation STREAM\_OUT. STREAM\_OUT has also a latency of 3 clock cycles to allow the external stream sink to take care of the data sample. Invoking the STREAM\_OUT\_STATUS operation samples the signal in the *ext\_status* -port, which the external stream sink is expected to keep high if there is still space in the stream sink. When the stream sink is full, the signal in the *ext\_status* -port must be pulled low by the stream sink.

Having several distinct stream sources or sinks must at the moment be realized by manually copying the FUs along with their HDB and VHDL parts. The operations must have distinct names so that the compiler is explicitly instructed to read from a specific source or write to a specific sink.

## 3.4 Implementing Programs in Parallel Assembly Code

This tutorial will introduce you to TTA assembly programming. It is recommended that you go through this tutorial because it will certainly familiarize you with TTA architecture and how TTA works.

### 3.4.1 Preparations

For the tutorial you need to download file package from [http://openasip.org/tutorial\\_files/tce\\_tutorials.tar.gz](http://openasip.org/tutorial_files/tce_tutorials.tar.gz) and unpack it to a working directory. Then cd to parallel\_assembly-directory.

The first thing to do is to compile the custom operation set called cos16 shipped within the parallel\_assembly-directory. The easiest way to do this is:

```
buildopset cos16
```

This should create a file named 'cos16.opb' in the directory.

### 3.4.2 Introduction to DCT

Now you will be introduced to OpenASIP assembler language and assembler usage. Your task is to write OpenASIP assembly code for 2-Dimensional 8 times 8 point Discrete Cosine Transform (DCT\_8x8). First take a look at the C code of DCT\_8x8 'dct\_8x8\_16\_bit\_with\_sfus.c'. The code is written to support fixed point datatype with sign plus 15 fragment bits, which means coverage from  $-1$  to  $1 - \frac{1}{2^{15}}$ . The fixed point multiplier, function *mul\_16\_fix*, and fixed point adder, function *add\_16\_fix*, used in the code scale inputs automatically to prevent overflow. Function *cos16* takes  $x(2i + 1)$  as input and returns the corresponding cosine value  $\cos\left(\frac{x(2i+1)\pi}{16}\right)$ . The code calculates following equations:

$$F(x) = \frac{C(x)}{2} \sum_{i=0}^7 \left[ f(i) \cos\left(\frac{x(2i+1)\pi}{16}\right) \right]$$

$$F(y) = \frac{C(y)}{2} \sum_{i=0}^7 \left[ f(i) \cos\left(\frac{y(2i+1)\pi}{16}\right) \right]$$

$$C(i) = \begin{cases} \frac{2}{\sqrt{2}} & , i = 0 \\ 1 & , else \end{cases} .$$

$$F(x,y) = F(x)F(y)$$

### 3.4.3 Introduction to OpenASIP assembly

First take a look at assembly example in file 'example.tceasm' to get familiar with syntax. More help can be found from section 5.3

Compilation of the example code is done by command:

```
tceasm -o example.tpef dct_8x8_16_bit_with_sfus.adf example.tceasm
```

The assembler will give some warnings saying that "Source is wider than destination." but these can be ignored.

The compiled tceasm code can be simulated with OpenASIP simulator, ttasim or proxim(GUI).

```
ttasim -a dct_8x8_16_bit_with_sfus.adf -p example.tpef , or
proxim dct_8x8_16_bit_with_sfus.adf example.tpef
```

It is recommended to use proxim because it is more illustrating to track the execution with it. Especially if you open the Machine Window (View -> Machine Window) and step through the program.

Check the result of example code with command (you can also write this in proxim's command line at the bottom of the main window):

```
x /a IODATA /n 1 /u b 2 .
```

the output of x should be 0x40.

### 3.4.4 Implementing DCT on OpenASIP assembly

Next try to write assembly code which does the same functionality as the C code. The assembly code must be functional with the given machine 'dct\_8x8\_16\_bit\_with\_sfus.adf'. Take a look at the processor by using prode:

```
prode dct_8x8_16_bit_with_sfus.adf &
```

The processor's specifications are the following:

#### Supported operations

Operations supported by the machine are: *mul*, *mul\_16\_fix*, *add*, *add\_16\_fix*, *ldq*, *ldw*, *stq*, *stw*, *shr*, *shl*, *eq*, *gt*, *gtu*, *jump*, *cos16* and *immediate transport*.

When you program using TTA assembly you need to take into account operation latencies. The *jump* latency is four clock cycles and load latencies (*ldq* and *ldw*) are three cycles. Latency for multiplications (*mul* and *mul\_16\_fix*) are two clock cycles.

#### Address spaces

The machine has two separate address spaces, one for data and another for instructions. The data memory is 16-bit containing 128 memory slots and the MAU of data memory is 16-bits. The instruction memory has 1024 memory slots which means that the maximum number of instructions of 1024.

#### Register files

The machine contains 4 register files, each of which have 4 16-bit registers, leading to total of 16 16-bit registers. The first register file has 2 read ports.

#### Transport buses

The machine has 3 16-bit buses, which means maximum of 3 concurrent transports. Each bus can contain a 8-bit short immediate.

#### Immediates

Because the transport buses can only contain 8-bit short immediates you must use the immediate unit if you want to use longer immediates. The immediate unit can hold a 16-bit immediate. There is an example of immediate unit usage in file 'immediate\_example.tceasm'. Basically you need to transfer the value to the immediate register. The value of immediate register can be read on the next cycle.

The initial input data is written to memory locations 0-63 in the file 'assembler\_tutorial.tceasm'. Write your assembly code in that file.

### 3.4.4.1 Verifying the assembly program

The reference output is given in 'reference\_output'. You need to compare your assembly program's simulation result to the reference output. Comparison can be done by first dumping the memory contents in the OpenASIP simulator with following command:

```
x /a IODATA /n 64 /u b 0
```

The command assumes that output data is stored to memory locations 0-63.

The easiest way to dump the memory into a text file is to execute ttasim with the following command:

```
ttasim -a dct_8x8_16_bit_with_sfus.adf -p assembler_tutorial.tpef < input_command.txt
> dump.txt
```

After this you should use sed to divide the memory dump into separate lines to help comparison between your output and the reference output. Use the following command to do this (there is an empty space between the first two slashes of the sed expression):

```
cat dump.txt | sed 's/ / \n/g' > output.txt
```

And then compare the result with reference:

```
diff -u output.txt reference_output
```

When the OA simulator memory dump is the same as the reference output your assembly code works and you have completed this tutorial. Of course you might wish to improve your assembly code to minimize cycle count or/and instruction count.

You should also compile the C program and run it because it gives more detailed information which can be used as reference data if you need to debug your assembly code.

To compile the C code, enter:

```
gcc -o c_version dct_8x8_16_bit_with_sfus.c
```

If you want the program to print its output to a text file, you can use the following command:

```
./c-version > output.txt
```

To get some idea of the performance possibilities of the machine, one assembly code has 52 instructions and it runs the DCT8x8 in 3298 cycles.

## 3.5 Using multiple memories from C code

OpenASIP supports accessing multiple address spaces from C code via the `__attribute__((address_space(N)))` extension. The numerical id from the attribute is used to connect the memory reference to the ADF address space using the XML element **numerical-id**. There can be one or more numerical ids mapped to a single ADF address space.

The following is from an ADF with three separate data address spaces with numerical ids 0, 1, and 2. The numerical id 0 is reserved for the default data address space which stores the stack, heap and the global constant data.

```
<address-space name="data">
  <width>8</width>
  <min-address>0</min-address>
  <max-address>16777215</max-address>
  <numerical-id>0</numerical-id>
</address-space>

<address-space name="data1">
  <width>8</width>
  <min-address>0</min-address>
  <max-address>65535</max-address>
  <numerical-id>1</numerical-id>
</address-space>
```

```

<address-space name="data2">
  <width>8</width>
  <min-address>0</min-address>
  <max-address>16383</max-address>
  <numerical-id>2</numerical-id>
</address-space>

```

The address spaces can be referred to from the C program with code like this:

```

#include <stdio.h>

#define ASIZE 4

volatile int space0[ASIZE] __attribute__((address_space(0)));
volatile int space0_1[ASIZE] __attribute__((address_space(0)));
volatile int space1[ASIZE] __attribute__((address_space(1)));
volatile int space1_1[ASIZE] __attribute__((address_space(1)));
volatile int space2[ASIZE] __attribute__((address_space(2)));
volatile int space2_1[ASIZE] __attribute__((address_space(2)));

int main() {
    int i = 0;

    /* The start addresses of the tables should overlap as
       they are allocated in different address spaces. */
    fprintf("space0@%x space0_1@%x space1@%x space1_1@%x space2@%x space2_1@%x\n",
            (unsigned)space0, (unsigned)space0_1, (unsigned)space1, (unsigned)space1_1,
            (unsigned)space2, (unsigned)space2_1);

    return 0;
}

```

The effect of having multiple disjoint address spaces is visible when simulating the code as the arrays allocated to the different memories share the same addresses but different storage:

```
space0@a84 space0_1@a94 space1@4 space1_1@14 space2@4 space2_1@14
```

The space0 array is stored in the default address space. In the beginning of the default address space there is usually some global data for some C library functions such as the `fprintf` or the emulation library, thus ending up with the start address of 0xa84 for the array0. For the extra address spaces 1 and 2, the arrays start from 4 which is the first valid storage address in those address spaces. Storing data to address 0 is not done to avoid problems with NULL pointers pointing to valid data (in this case space1 and space2 would have been stored at address 0 = NULL).

When using custom operation calls to manually execute operations that access memory on processors that have multiple data address spaces, it should be done using `_OAAS_OPERATIONNAME` macro instead of using `_OA_OPERATIONNAME` macro. See section ?? for more information about these custom operation call macros.

### 3.6 Running TTA on FPGA

This tutorial illustrates how you can run your TTA designs on a FPGA board. Tutorial consists of two simple example sections and a more general case description section.

Download the tutorial file package from:

[http://openasip.org/tutorial\\_files/tce\\_tutorials.tar.gz](http://openasip.org/tutorial_files/tce_tutorials.tar.gz)

Unpack it to a working directory and cd to `tce_tutorials/fpga_tutorial`

### 3.6.1 Simplest example: No data memory

#### 3.6.1.1 Introduction

This is the most FPGA board independent TTA tutorial one can make. The application is a simple led blinker which has been implemented using register optimized handwritten TTA assembly. In other words the application doesn't need a load store unit so there is no need to provide data memory. In addition the instruction memory will be implemented as a logic array.

#### 3.6.1.2 Application

The application performs a 8 leds wide sweep in an endless loop. Sweep illuminates one led at a time and starts again from first led after reaching the last led. There is also a delay between the iterations so that the sweep can be seen with human eye.

As stated in the introduction the application is coded in assembly. If you went through the assembly tutorial the code is probably easy to understand. The code is in file `'blink.tceasm'`. The same application is also written in C code in file `'blink.c'`.

#### 3.6.1.3 Create TTA processor core and instruction image

The architecture we're using for this tutorial is `'tutorial1.adf'`. Open it in ProDe to take a look at it:

```
prode tutorial1.adf
```

As you can see it is a simple one bus architecture without a LSU. There are also 2 "new" function units: `rtimer` and `leds`. `Rtimer` is a simple tick counter which provides real time clock or countdown timer operations. `Leds` is function unit that can write '0' or '1' to FPGA output port. If those ports are connected to `leds` the FU can control them.

`Leds` FU requires a new operation definition and the operation is defined in `'led.opp'` and `'led.cc'`. You need to build this operation definition:

```
buildopset led
```

Now you can compile the assembly code:

```
tceasm -o asm.tpef tutorial1.adf blink.tceasm
```

If you wish you can simulate the program with `proxim` and see how it works but the program runs in endless loop and most of the time it stays in the "sleep" loop.

Now you need to select implementations for the function units. This can be done in ProDe. See the OpenASIP Tour section 3.1.9 for more information. Implementations for `leds` and `rtimer` are found from the `fpga.hdb` shipped with the tutorial files. Notice that there are 2 implementations for the `rtimer`. ID 3 is for 50 MHz clock frequency and ID 4 for 100 MHz. All other FUs are found from the default `hdb`.

Save the implementation configuration to `'tutorial1.idf'`.

Next step is to generate the VHDL implementation of the processor:

```
generateprocessor -i tutorial1.idf -o asm_vhdl/proge-output tutorial1.adf
```

Then create the program image:

```
generatebits -f vhdl -p asm.tpef -x asm_vhdl/proge-output tutorial1.adf
```

Notice that the instruction image format is "vhdl" and we request `generatebits` to not create data image at all. Now, move the generated `'asm_imem_pkg.vhdl'` to the `asm_vhdl` directory and cd there.

```
mv asm_imem_pkg.vhdl asm_vhdl/
cd asm_vhdl
```

### 3.6.1.4 Final steps to FPGA

We have successfully created the processor core and instruction memory image. Now we need an instruction memory component that can use the generated image. Luckily you don't have to create it as it is shipped with the tutorial files. The component is in file 'inst\_mem\_logic.vhd' in asm\_vhdl directory and it can use the generated 'asm\_imem\_pkg.vhdl' without any modifications.

Next step is to connect TTA toplevel core to the memory component and connect the global signals out from that component. This has also been done for you in file 'tutorial\_processor1.vhdl'. If you are curious how this is done open the file with your preferred text editor. All the signals coming out of this component are later connected to FPGA pins.

Now you need to open your FPGA tool vendor's FPGA design/synthesis program and create a new project for your target FPGA. Add the three files in asm\_vhdl-directory (toplevel file 'tutorial\_processor1.vhdl', 'inst\_mem\_logic.vhd' and 'asm\_imem\_pkg.vhdl') and all the files in proge-output/gcu\_ic/ and proge-output/vhdl directories to the project. The toplevel entity name is 'tutorial\_processor1'.

Then connect the toplevel signals to appropriate FPGA pins. The pins are most probably described in the FPGA board's user manual. Signal 'clk' is obviously connected to the pin that provides clock signal. Signal 'rstx' is the reset signal of the system and it is active low. Connect it to a switch or pushbutton that provides '1' when not pressed. Signal bus 'leds' is 8 bits wide and every bit of the bus should be connected to an individual led. Don't worry if your board doesn't have 8 user controllable leds, you can leave some of them unconnected. In that case all of the leds are off some of the time.

Compile and synthesize your design with the FPGA tools, program your FPGA and behold the light show!

## 3.6.2 Second example: Adding data memory

In this tutorial we will implement the same kind of system as above but this time we include data memory and use C coded application. Application has the same functionality but the algorithm is a bit different. This time we read the led pattern from a look up table and to also test store operation the pattern is stored back to the look up table. Take a look at file 'blink\_mem.c' to see how the timer and led operations are used in C code.

### 3.6.2.1 Create TTA processor core and binary images

The architecture for this tutorial is 'tutorial2.adf'. This architecture is the same as 'tutorial1.adf' with the exception that now it has a load store unit to interface it with data memory.

You need to compile the operation behaviour for the led function unit if you already haven't done it:

```
buildopset led
```

Then compile the program:

```
tcecc -O3 -a tutorial2.adf -o blink.tpef blink_mem.c
```

Before you can generate processor vhd you must select implementations for the function units. Open the architecture in ProDe and select Tools->Processor Implementation...

```
prode tutorial2.adf
```

It is important that you choose the implementation for LSU from the fpga.hdb shipped with the tutorial files. This implementation has more FPGA friendly byte enable definition. Also the implementations for leds and timer FUs are found from fpga.hdb. As mentioned in the previous tutorial, timer implementation ID 3 is meant for 50 MHz clock frequency and ID 4 for 100 MHz clock. Other FUs are found from the default hdb.

Generate the processor VHDL:

```
generateprocessor -i tutorial2.idf -o c_vhdl/proge-output tutorial2.adf
```

Next step is to generate binary images of the program. Instruction image will be generated again as a VHDL array package. But the data memory image needs some consideration. If you're using an Altera FPGA board the Program Image Generator can output Altera's Memory Initialization Format



(mif). Otherwise you need to consult the FPGA vendor's documentation to see what kind of format is used for memory instantiation. Then select the PIG output format that you can convert to the needed format with the least amount of work. Of course you can also implement a new image writer class to PIG. Patches are welcome.

Image generation command is basically the following:

```
generatebits -f vhdl -d -w 4 -o mif -p blink.tpef -x c_vhdl/proge-output tutorial2.adf
```

Switch '-d' tells PIG to generate data image. Switch '-o' defines the data image output format. Change it to suit your needs if necessary. Switch '-w' defines the width of data memory in MAUs. By default MAU is assumed to be 8 bits and the default LSU implementations are made for memories with 32-bit data width. Thus the width of data memory is 4 MAUs.

Move the created images to the vhdl directory:

```
mv blink_imem_pkg.vhdl c_vhdl/
mv blink_data.mif c_vhdl/
```

### 3.6.2.2 Towards FPGA

Go to the vhdl directory:

```
cd c_vhdl
```

TTA vhdl codes are in the proge-output directory. Like in the previous tutorial file 'inst\_mem\_logic.vhd' holds the instruction memory component which uses the created 'blink\_imem\_pkg.vhdl'. File 'tutorial\_processor2.vhdl' is the toplevel design file and again the TTA core toplevel is connected to the instruction memory component and global signals are connected out from this design file.

#### Creating data memory component

Virtually all FPGA chips have some amount of internal memory which can be used in your own designs. FPGA design tools usually provide some method to easily create memory controllers for those internal memory blocks. For example Altera's Quartus II design toolset has a MegaWizard Plug-In Manager utility which can be used to create RAM memory which utilizes FPGA's internal resources.

There are few points to consider when creating a data memory controller:

1. **Latency.** Latency of the memory should be one clock cycle. When LSU asserts a read command the result should be readable after one clock cycle. This means that the memory controller shouldn't register the memory output because the registering is done in LSU. Adding an output register would increase read latency and the default LSU wouldn't work properly.
2. **Address width.** As stated before the minimal addressable unit from the TTA programmer's point of view is 8 bits by default. However the width of data memory bus is 32 bits wide in the default implementations. This also means that the address bus to data memory is 2 bits smaller because it only needs to address 32-bit units. To convert 8-bit MAU addresses to 32-bit MAU addresses one needs to leave the 2 bits out from LSB side.

How this all shows in OA is that data memory address width defined in ADF is 2 bits wider than the actual address bus coming out of LSU. When you are creating the memory component you should consider this.

3. **Byte enable.** In case you were already wondering how can you address 8-bit or 16-bit wide areas from a 32-bit addressable memory the answer is byte enable (or byte mask) signals. These signals can be used to enable individual bytes from 32-bit words which are read from or written to the memory. And those two leftover bits from the memory address are used, together with the memory operation code, to determine the correct byte enable signal combination.

When you are creating the memory controller you should add support for byte enable signals.

4. **Initialization.** Usually the internal memory of FPGA can be automatically initialized during FPGA configuration. You should find an option to initialize the memory with a specific initialization file.

### Connecting the data memory component

Next step is to interface the newly generated data memory component to TTA core. LSU interface is the following:

```

fu_lsu_data_in      : in  std_logic_vector(fu_lsu_dataw-1 downto 0);
fu_lsu_data_out    : out std_logic_vector(fu_lsu_dataw-1 downto 0);
fu_lsu_addr        : out std_logic_vector(fu_lsu_addrw-2-1 downto 0);
fu_lsu_mem_en_x    : out std_logic_vector(0 downto 0);
fu_lsu_wr_en_x     : out std_logic_vector(0 downto 0);
fu_lsu_bytemask    : out std_logic_vector(fu_lsu_dataw/8-1 downto 0);

```

Meanings of these signals are:

Signal name	Description
fu_lsu_data_in	Data from the memory to LSU
fu_lsu_data_out	Data from LSU to memory
fu_lsu_addr	Address to memory
fu_lsu_mem_en_x	Memory enable signal which is active low. LSU asserts this signal to '0' when memory operations are performed. Otherwise it is '1'. Connect this to memory enable or clock enable signal of the memory controller.
fu_lsu_wr_en_x	Write enable signal which is active low. During write operation this signal is '0'. Read operation is performed when this signal '1'. Depending on the memory controller you might need to invert this signal.
fu_lsu_bytemask	Byte mask / byte enable signal. In this case the signal width is 4 bits and each bit represents a single byte. When the enable bit is '1' the corresponding byte is enabled and value '0' means that the byte is ignored.

Open file 'tutorial\_processor2.vhdl' with your preferred text editor. From the comments you can see where you should add the memory component declaration and component instantiation. Notice that those LSU signals are connected to wires (signals with appendix '\_w' in the name). Use these wires to connect the memory component.

#### Final steps

After you have successfully created the data memory component and connected it you should add the rest of the design VHDL files to the design project. All of the files in proge-output/gcu\_ic/ and proge-output/vhdl/ directories need to be added.

Next phase is to connect toplevel signals to FPGA pins. Look at the final section of the previous tutorial for more verbose instructions how to perform pin mapping.

Final step is to synthesize the design and configure the FPGA board. Then sit back and enjoy the light show.

#### 3.6.2.3 More to test

If you simulate the program you will notice that the program uses only STW and LDW operations. Reason for this can be easily seen from the source code. Open 'blink\_mem.c' and you will notice that the look up table 'patterns' is defined as 'volatile unsigned int'. If you change this to 'volatile unsigned char' or 'volatile unsigned short int' you can test STQ and LDQU or STH and LDHU operations. Using these operations also means that the LSU uses byte enable signals.

Whenever you change the source code you need to recompile your program and generate the binary images again. And move the images to right folder if it's necessary.

In addition you can compile the code without optimizations. This way the compiler leaves function calls in place and uses stack. The compilation command is then:

```
tcecc -O0 -a tutorial2.adf -o blink.tpef blink_mem.c
```

## 3.7 How to print from Altera FPGAs

OA comes with a special function unit which enables character output from Altera FPGAs. This SFU utilizes Altera JTAG UART IP core and nios2-terminal host program for this functionality. Neither of them are included in OA so you need the appropriate Altera software and libraries (namely Quartus II and Nios II EDS) in order to use the printing capability.

### 3.7.1 Hello World 2.0

If you haven't already downloaded the tutorial file package, you should download it now from:

[http://openasip.org/tutorial\\_files/tce\\_tutorials.tar.gz](http://openasip.org/tutorial_files/tce_tutorials.tar.gz)

Then unpack it to a working directory and cd to tce\_tutorials/fpga\_stdout

Let's begin by examining our tutorial architecture. Open the given test.adf architecture in ProDe:

```
prode test.adf &
```

As you can see, the architecture includes IO function unit which implements the STDOUT operation. In addition the architecture also has a timer function unit which we will also be used in this tutorial.

#### 3.7.1.1 Examine the first version

Open source code file 'std\_print.c' in your preferred text editor. As you can see, the code includes 'stdio.h' and uses *printf()* for printing "Hello World!". Furthermore, operation RTC is used to measure how long the printing takes and this time is then printed at the end of the program. Writing value "0" to the RTC resets the real time clock in timer FU. When the RTC is invoked with a non-zero value, the current time is written to the given variable (in this case to variable "timestamp"). RTC counts the time in milliseconds and by default, the instruction set simulator assumes clock frequency of 100 MHz.

Now compile the source code with the following command:

```
tcecc -O0 --swfp -a test.adf -o std_print.tpef std_print.c
```

The compilation command contains a few flags that should be explained in more detail. Let's first look into the `--swfp` flag: this tells the compiler to link the program with the floating point emulation library. Floating point support is needed because *printf()* function includes support for printing floating point values and our architecture does not contain floating point function units. To emphasize the lesson of this tutorial it is important that you compile the code without optimizations i.e. with `-O0` flag. Otherwise our witty compiler will optimize the first *printf()* call (which just prints a constant character string) into inlined `_OA_STDOUT` operations.

After compiling, execute the program in the instruction set simulator:

```
ttasim -a test.adf -p std_print.tpef
```

You should see the printed text in your terminal. By the time of writing this tutorial, the duration of the "Hello World" printing with *printf()* took 61 ms (time may vary depending on the OA version).

But speaking of the lesson, execute the following command to examine the minimum memory consumption of this program:

```
dumptpef -m std_print.tpef
```

As you should notice, the instruction count is high (around 45 000 at the time of writing this tutorial) on this simple sequential TTA architecture with optimizations disabled. Major part of the instructions are spent on the *printf()* and floating point emulation functions.

First step in reducing the instruction count is to use *iprintf()* instead of *printf()*. Function *iprintf()* is a simplified version of *printf()* which drops the support for printing floating points. In our test case we don't need to print floats, so open the source code file 'std\_print.c' in your preferred text editor and change the two *printf()* calls to *iprintf()*. Alternatively, you can do this with program *sed*:

```
sed -i 's/printf/iprintf/g' std_print.c
```

Now recompile the program and check the instruction count:

```
tcecc -O0 -a test.adf -o std_print.tpef std_print.c
dumtpef -m std_print.tpef
```

You should see a significant drop in the instruction count. If you simulate the new program, you notice no difference in the behavior (except that the measured time might be a bit lower).

### 3.7.1.2 Light weight printing

OA includes a Light Weigth PRinting (lwpr) library to provide small and simple functions for printing strings and integers for further reducing the instruction count overhead of print support. Take a look at the source code file 'lightweight\_print.c' to see how these functions are used. The library is included with header 'lwpr.h'. Function *lwpr\_print\_str()* is utilized to output strings and function *lwpr\_print\_int()* is used for printing integers. There is also function for printing integers in hexadecimal format called *lwpr\_print\_hex()*, but it is not used in this tutorial.

Compile the new code to see the difference of using lwpr:

```
tcecc -O0 -llwpr -a test.adf -o lightweight_print.tpef lightweight_print.c
```

Notice the new compilation flag *-llwpr* for including the light weight printing library.

First, check the instruction count with:

```
dumtpef -m lightweight_print.tpef
```

You should notice that the instruction count has dropped dramatically and also the initialized data memory is a lot smaller than previously.

Next, simulate program:

```
ttasim -a test.adf -p lightweight_print.tpef
```

Printed text is the same as previously except that the measured duration has dropped significantly.

## 3.7.2 FPGA execution

Next step is to get the program running on an FPGA. Prerequisite for this step is that you have Altera Quartus II and nios2-terminal programs installed and you have a Stratix II DSP FPGA board. But don't worry if you don't have this specific board, this tutorial can be completed with other Altera FPGA boards as well. In case you are using alternative board you must do a few manual changes before synthesizing and executing the design. Disclaimer: we assume no liability in case you fry your FPGA :)

### 3.7.2.1 Preparations

Before starting to generate the processor we first must adjust the address space sizes of the architecture. In order to do this, open the architecture in ProDe and open the address space dialog (*Edit -> Address Spaces...*).

```
prode test.adf &
```

Adjust both the data and instruction address space to be 10 bits wide. This should be enough for our application according to the *dumtpef* output.

Next recompile the application so it adapts to the new address space sizes:

```
tcecc -O0 -llwpr -a test.adf -o lightweight_print.tpef lightweight_print.c
```

If you wish you can execute the program with ttasim to verify that it still works after the address space sizes changed.

Before generating the processor, you must also select the RF and FU implementations. If you wish to skip this step, you can use the given IDF by renaming it:

```
mv preselected.idf test.idf
```

Then move on to section 3.7.2.2. If you choose to learn and do this step manually, keep following the instructions. In case you don't already have the architecture open, do it now:

```
prode test.adf &
```

Then select *Tools -> Processor Implementation...* to open the implementation dialog. First select the Register Files implementations from the 'asic\_130nm\_1.5V.hdb'. It doesn't matter which implementation you choose for this tutorial.

After selecting RFs, click open the Function Unit tab. Now you must choose the implementations carefully:

1. **LSU:** Change the HDB to 'stratixII.hdb' (don't worry if you are using another Altera FPGA) and select the fu\_lsu\_with\_bytemask\_always\_3.
2. **ALU:** Change the HDB back to 'asic\_130nm\_1.5V.hdb' and select any available implementation.
3. **IO:** Change the HDB to 'altera\_jtag\_uart.hdb' and select altera\_jtag\_uart\_stdout\_always\_1 as the implementation.
4. **TIMER:** Change the HDB again to 'stratixII.hdb' and select the timer implementation with id 5. This implementation is for 100 MHz clock frequency (you can check it by opening the stratixII.hdb with hdbeditor and examining the generic parameters).

Remember to **save IDF** before closing the dialog.

### 3.7.2.2 Generate the processor

Now we will use the Platform Integrator feature (see section 4.6 for more information) of ProGe. Execute the following command to generate the processor implementation:

```
generateprocessor -i test.idf -o proge-out -g Stratix2DSP -d onchip -f onchip
-p lightweight_print.tpef -e hello_tta test.adf
```

The new flag `-g` commands to use Stratix II DSP board Platform Integrator and `-d` and `-f` tells the Platform Integrator to implement instruction and data memory as FPGA onchip memory. Flag `-p` defines the name of the program we want to execute on the processor (it is just needed for naming the memory initialization files) and flag `-e` defines the toplevel entity name for our processor.

Next, generate the memory images from the tpef program:

```
generatebits -d -w 4 -f mif -o mif -x proge-out -p lightweight_print.tpef -e hello_tta
test.adf
```

Important flags to notice here are the `-x` which tells where the HDL files generated by ProGe are stored and `-e` which defines the toplevel entity name (must be the same you gave to ProGe). Data and instruction memory image formats are defined as *mif* (Altera's memory initialization format for onchip memories).

### 3.7.2.3 Modifications for using alternative Altera FPGA boards

If you are using the Stratix II DSP FPGA board you can skip this section. Otherwise you **must** complete the tasks described here to get the processor running on your alternative FPGA.

**HDL changes** Open file 'proge-out/platform/hello\_tta\_toplevel.vhdl' in your preferred text editor. Change the value of the toplevel generic *dev\_family\_g* according to your FPGA. For example if you are using Altera DE2 board with a Cyclone II FPGA, change the string from "Stratix II" to "Cyclone II". Save the file before exit.

**Changes to Quartus II project files** Open file 'hello\_tta\_toplevel.qsf' in your preferred text editor. You **must** locate and change the following settings according to the FPGA board you are using (all the examples are given for the DE2 board for illustrative purposes):

1. **FAMILY:** Set the FPGA device family string according to your FPGA. Example: "Cyclone II"

2. **DEVICE:** Set the specific FPGA device name according to your FPGA. Example: EP2C35F672C6
3. **FMAX\_REQUIREMENT:** Set the target clock frequency according to the oscillator you are using to drive clock signal. Example: “50 MHz”
4. **Pin assignments:** Change the pin assignments for clk and rstx according to your FPGA board. Reset signal *rstx* is active low so take this into consideration in the pin mapping. Example: PIN\_N2 -to clk (50 MHz oscillator to clk signal) and PIN\_G26 -to rstx (push button KEY0 to rstx)

#### 3.7.2.4 Synthesize and execute

Synthesize the processor simply by executing the generated script:

```
./quartus_synthesize.sh
```

Assuming that your FPGA is set up, on and properly connected via USB Blaster to your PC, you can program the FPGA with the following script:

```
./quartus_program_fpga.sh
```

Or if you prefer, you can also use the graphical Quartus programmer tool for FPGA programming.

After the programmer has finished, open *nios2-terminal* program in order to capture the printed characters:

```
nios2-terminal -i 0
```

After the connection is open and program starts to run, you will see the characters printed to the terminal. Notice that the measured printing time may vary according to your FPGA board and clock frequency as the timer implementation was set for 100 MHz clock.

### 3.7.3 Caveats in printing from FPGA

There are few caveats in printing from FPGA you should be aware of. First of all the transfer speed between the host PC and FPGA is finite and in order to avoid extra stalls the STDOUT FU uses a character buffer. When this buffer is full, the TTA processor pipeline is stalled until there is space again in the buffer. This happens especially when the *nios2-terminal* is not open i.e. there's no host process to clear the buffer. In other words, if your application uses STDOUT you must open *nios2-terminal* with the correct instance number to avoid the execution getting stuck.

Because of the stalling behavior you should avoid print during profiling as the results may be affected. You should not print during the execution of timing critical code as the real time characteristics cannot be guaranteed due to the possibility of stalls.

### 3.7.4 Summary

This tutorial illustrated how to print from Altera FPGAs. In addition this tutorial discussed different ways to print from C code and demonstrated their impact on the instruction count.

For demonstrational purposes all the compilations were done without optimizations. However, in case optimizations are applied, *printf()* or *iprintf()* may sometimes produce the smallest code overhead when printing **only constant strings**. This is possible when the compiler is able to reduce the function call into direct `_OA_STDOUT` macro calls and fill NOP slots with the STDOUT operations. But in general it is advisable to use light weight printing library functions whenever applicable.

## 3.8 Designing Floating-point Processors with OpenASIP

OpenASIP supports single and half precision floating-point calculations. Single-precision calculations can be performed by using the *float* datatype in C code, or by using macros from *tceops.h*, such as `_OA_ADDF`.

If the compilation target architecture does not support these operations, they can be emulated using integer arithmetic in software. Passing the switch `--swfp` to `tcecc` enables the software emulation library linkage.

A set of floating-point FU implementations is included with OA, in a HDB file named `fpu_embedded.hdb`, which can be found at `PREFIX/share/openasip/hdb/fpu_embedded.hdb`. The FUs operate with 32-bit, single-precision floating point numbers. Supported operations include addition, subtraction, negation, absolute value, multiplication, division, square root, conversion between floats and integers, and various comparisons.

The FUs are based on the VHDL-2008 support library (<http://www.vhdl.org/fphdl/>), which is in public domain. Changes include:

- Full pipelining.
- Radix-2 division changed to Radix-4.
- Simple newton's iteration square root (with division in each pass) replaced by Hain's algorithm from paper "Fast Floating Point Square Root" by Hain T. and Mercer D.

The FUs are optimized for synthesis on Altera Stratix II FPGA's, and they have been benchmarked both on a Stratix II EP2S180F1020C3, and a Stratix III EP3SL340H1152C2. They have maximum frequencies between 190-200 MHz on the Stratix II, and between 230-280 MHz on the Stratix III. Compared to an earlier implementation based on the Milk coprocessor ([coffee.cs.tut.fi](http://coffee.cs.tut.fi)), they are between 30% and 200% faster.

### 3.8.1 Restrictions

The FUs are not IEEE compliant, but instead comply to the less strict OpenCL Embedded Profile standard, which trades off accuracy for speed. Differences include:

- Instead of the default rounding mode round-to-nearest-even, round-to-zero is used.
- Denormal numbers as inputs or outputs are flushed to zero.
- Division may not be correctly rounded, but should be accurate within 4 ulp.

The OS Processor Simulator uses IEEE-compliant floats. With a processor simulated on GHDL or synthesized on actual hardware, the calculation results are thus slightly different from the ones from Processor Simulator.

### 3.8.2 Single-precision Function Units

The `emphfpu_embedded` and `emphfpu_half` function units are described in detail below.

**fpu\_sp\_add\_sub** Supported operations: `addf`, `subf`

Latency: 5

Straightforward floating-point adder.

**fpu\_sp\_mul** Supported operations: `mulf`

Latency: 5

Straightforward floating-point multiplier.

**fpu\_sp\_div** Supported operations: `divf`

Latency: 15 (mw/2+3)

Radix-4 floating-point divider.

**fpu\_sp\_mac** Supported operations: macf, msuf

Latency: 6

Single-precision fused multiply-accumulator.

Parameters are ordered so that  $MACF(a,b,c,d)$  is equal to  $d=a+b*c$  and  $MSUF(a,b,c,d)$  to  $d=a-b*c$ . Special case handling is not yet supported.

**fpu\_sp\_mac\_v2** Supported operations: macf, msuf, addf, subf, mulf

Latency: 6

Single-precision fused multiply-accumulator. Performs addition/subtraction by multiplying by 1, and multiplication by adding 0. `fpu_sp_mac_v2` will replace `fpu_sp_mac` completely if benchmarking shows it to be reasonably fast.

Parameters are ordered so that  $MACF(a,b,c,d)$  is equal to  $d=a+b*c$  and  $MSUF(a,b,c,d)$  to  $d=a-b*c$ .

**fpu\_sp\_sqrt** Supported operations: sqrtf

Latency: 26 (mw+3)

Floating-point square root FU, using Hain's algorithm.

Note that the C standard function `sqrt` does not take advantage of hardware acceleration; the `_OA_SQRTF` macro must be used instead.

**fpu\_sp\_conv** Supported operations: cif, cifu, cfi, cfu

Latency: 4

Converts between 32-bit signed and unsigned integers, and single-precision floats. OpenCL embedded allows no loss of accuracy in these conversions, so rounding is to nearest even.

**fpu\_sp\_compare** Supported operations: absf, negf, eqf, nef, gtf, gef, ltf, lef

Latency: 1

A floating-point comparator. Also includes the cheap absolute value and negation operations.

### 3.8.3 Half-precision Support

A set of half-precision arithmetic units is included with tce in `PREFIX/share/openasip/hdb/fpu_half.hdb`. In C and C++, half-precision operations can only be invoked with `tceops.h` macros. It may be helpful to define a `half` class with overloaded operators to wrap the macros. The test case `testsuite/systemtest/proge/hpu` is written using such a class. There is ongoing work to add acceleration for the `half` datatype in OpenCL.

Like their single-precision counterparts, the half-precision FPUs round to zero and lack support for denormal numbers. In addition, they do not yet handle special cases such as INFs and NaNs.

### 3.8.4 Half-precision Function Units

The `emphfu_half` function units are described in detail below.

**fpu\_chf\_cfh** Supported operations: cfh, chf

Latency: 1

Converter between half-precision and single-precision floating points.

**fpadd\_fpsub** Supported operations: addh, subh

Latency: 1

Straightforward half-precision floating-point adder.



	mul	add_sub	sqrt	conv	comp	div	baseline
Comb ALUTs	1263	1591	4186	1500	1012	2477	907
Total regs	892	967	2444	917	669	1942	567
DSP blocks	8	0	0	0	0	0	0
$F_{max}(MHz)$	196.39	198.81	194.78	191.5	192.2	199.32	222.82
Latency	5	5	26	4	1	15	-

Table 3.2: Synthesis results for Stratix II EP2S180F1020C3

	mul	add_sub	sqrt	conv	comp	div	baseline
Comb ALUTs	1253	1630	4395	1507	1002	2597	1056
Total regs	819	1007	2401	997	665	2098	710
DSP blocks	4	0	0	0	0	0	0
$F_{max}(MHz)$	272.03	252.4	232.07	232.88	244.32	260.82	286.45
Latency	5	5	26	4	1	15	-

Table 3.3: Synthesis results for Stratix III EP3SL340H1152C2

**fpmul** Supported operations: mulh, squareh

Latency: 2

Straightforward half-precision floating-point multiplier. Also supports a square-taking operation.

**fpmac** Supported operations: mach, msuh

Latency: 3

Half-precision fused multiply-accumulator.

Parameters are ordered so that MACH(a,b,c,d) is equal to  $d=a+b*c$  and MSUH(a,b,c,d) to  $d=a-b*c$ .

**fpmac\_v2** Supported operations: mach, msuh, addh, subh, mulh

Latency: 3

Half-precision fused multiply-accumulator. Performs addition/subtraction by multiplying by 1, and multiplication by adding 0. fpmac\_v2 will replace fpmac completely if benchmarking shows it to be reasonably fast.

Parameters are ordered so that MACH(a,b,c,d) is equal to  $d=a+b*c$  and MSUH(a,b,c,d) to  $d=a-b*c$ .

**fp\_invsqrt** Supported operations: invsqtrh

Latency: 5

Half-precision fast inverse square root using Newton's iteration.

**fpu\_hp\_compare** Supported operations: absh, negh, eqh, neh, gth, geh, lth, leh

Latency: 1

Half-precision floating-point comparator. Also includes the absolute value and negation operations.

### 3.8.5 Benchmark results

Most of the single-precision FPUs have been benchmarked on the FPGAs Stratix II EP2S180F1020C3 and Stratix III EP3SL340H1152C2. As a baseline, a simple TTA processor was synthesized that had enough functionality to support an empty C program. After this, each of the FPUs was added to the baseline processor and synthesized. The results are shown below in Tables 3.2 and 3.3.

### 3.8.6 Alternative bit widths

The *fpu\_embedded* Function Units have mantissa width and exponent width as generic parameters, so they can be used for float widths other than the IEEE single precision. The FPU's are likely prohibitively slow for double-precision computation, and the *fpu\_half* units should be better fit for half-precision.

The parameters are *mw* (mantissa width) and *ew* (exponent width) for all FUs. In addition, the float-int converter FU *fpu\_sp\_conv* has a parameter *intw*, which decides the width of the integer to be converted.

Use of these parameters has the following caveats:

- The oacc compiler converts floating-point literals into 32-bit floats, so they have to be entered some other way, f.ex. by casting integer bitpatterns to floats, or with a *cif* operation.
- OpenASIP does not include a HDB file for alternative bit widths
- Mantissa width affects the latency of the divider and square root FUs. The divider FU's latency is  $(mw/2) + 3$ , and the square root FU's latency is  $mw + 3$ .
- Bit widths other than single-precision have not been exhaustively tested. Half-precision floats appear to work in a simple test case.

### 3.8.7 Processor Simulator and Floating Point Operations

Designers of floating point TTAs should note that *ttasim* uses the simulator host's floating point (FP) hardware to simulate floating point operations (for speed reasons). Thus, it might or might not match the FP implementation of the actual implemented TTA as it depends on the standard compliance, the default rounding modes, and other differences between floating point implementations.

## 3.9 Multi-TTA Designs

In order to add multiple TTA cores to your system level design, there are two useful switches in the Processor Generator and Program Image Generator tools.

One of them is `--shared-files-dir` which can be used to define a directory to which HDL files that can be shared between multiple TTAs are copied. This avoids name clashes, e.g. on FU names when two or more TTAs use the same implementation.

The second useful switch is `--entity-name`. This switch allows naming the generated core in the HDL files with a custom name. The name string is also inserted to all the core-specific component names to make them unique to avoid name clashes in HDL compilation of the system. It should be noted that the Program Image Generator (`generatebits`) also supports the `--entity-name` switch and the same entity name should be given for both tools to produce functioning TTA cores.

Using these switches, generating cores to designs with multiple TTAs can be done by using a shared HDL directory for all the cores (`--shared-files-dir`) and then naming each core with a different entity name (`--entity-name`) to avoid name clashes. How the cores are connected and the generation of the shared memory hierarchy is currently out of scope of OA. While these switches assist in HDL generation of multi-TTA designs, the designer can also simulate multi-TTA designs at system level by using the OA SystemC API (see Section 6.2).

## 3.10 OpenCL Support

OA has experimental support for running both OpenCL C kernels and the host runtime in a same statically linked program. This can be used to benefit from parallelizable kernels written in OpenCL C without requiring a host processor with an OpenCL C compiler.

The OpenCL support uses the Portable OpenCL (`pocl`) project. In order to add OpenCL support to `tcecc`, you should download and install the latest version of `pocl`. At the end of the configure run, the script

mentions whether the OpenCL support was enabled or not. After building OA you can check if the OpenCL C support is enabled via “`oacc --supported-languages`” switch.

It must be emphasized that the OpenCL support is a work in progress and does not provide full support for the standard. The missing APIs are implemented “as needed”.

The “statically compiled OpenCL C” support works by relying on the `reqd_work_group_size` kernel attributes. It uses the work group dimensions defined with the attributes to statically parallelize multiple work items (WI) in a single work group (WG) to produce highly parallel code for the compiler instruction scheduler.

For example: the `dot_product` example must be written as follows to produce four parallel WIs per WG:

```
/* dot.cl */
__attribute__((reqd_work_group_size(4, 1, 1)))
kernel void
dot_product (global const float4 *a,
             global const float4 *b,
             global float *c) {
    int gid = get_global_id(0);

    c[gid] = dot(a[gid], b[gid]);
}
```

Currently the host API must know about the WG dimensions and use the same ones when launching the kernel, otherwise undefined behavior occurs. For the other parts, the OpenCL host runtime API can be used similarly as in the “regular mode“ where the kernels are (or can be) compiled and linked at runtime. This enables easier porting of OpenCL programs to the OA standalone OpenCL mode. In the standalone mode, the compiler invocation APIs of the OpenCL host runtime are implemented as dummy functions to produce source code level compatibility with most of the OpenCL programs.

For example, the host program for invoking the `dot_product` code can be written identically as it was done in the original OpenCL example. The host program can invoke the compiler etc. to make the program run in the regular OpenCL environments while in OA standalone mode the kernel is compiled offline, linked to the main program, and the compiler calls are no-operations.

The command line to compile both the host code and the kernel to a single program is as follows:

```
tcecc -a mytta.adf -O3 host.c dot.cl -o dot_product -loclhost-sa
```

The resulting program can be simulated and executed like any other TTA program produced by `tcecc`.

The `oclhost-sa` library provides the more-or-less dummy implementations of the host runtime APIs to enable launching the kernel and moving the buffers etc.

## 3.11 System-on-a-Chip design with AlmaIF Integrator

AlmaIF is a “OA standard“ integration interface. When a OA core adheres to the AlmaIF interfaces, they can be more easily plugged in to SoC designs with high-level programming model (OpenCL and HSA) support.

This tutorial will cover generating TTA cores AlmaIF interfaces, and integration with a Zynq-7000 series SoC, but the workflow should adapt quite well for other AXI4-capable Xilinx SoCs.

### 3.11.1 Design the processor

The AlmaIF Integrator expects certain architectural and implementation features from its processors, related primarily to LSU and address space details. The integrator will attempt to connect two address spaces, named *data* and *param*, to the AXI4 slave interface, making them accessible over AXI.

All AlmaIF cores must use LSUs in the almaif.hdb hardware database, or LSUs which use the same interface to memory. Specifically for Xilinx 7 Series devices, xilinx\_series7.hdb has implementations for a basic ALU and register files optimized for these devices.

Additionally, the external debugger needs to be enabled by setting the IC/Decoder parameter *debugger* to *external* in the IDF.

### 3.11.2 Generate the Processor

The commands to generate a processor core with an AlmaIF wrapper are as follows:

```
generateprocessor -d onchip -f onchip -e tta_core -i mach.idf -g AlmaIFIntegrator
-o proge-out -p program.tpef mach.adf
generatebits -e tta_core -x proge-out mach.adf
```

### 3.11.3 Create a New Vivado Project

To create a new project in Vivado, select *File>New project* from the menu bar. You will be presented with a window, where you can configure the project to be created. Click *Next* and set the project name and location to your preference. On the next screen, pick *RTL Project* and click *Next*. Select the *proge-out* folder and verify the *Include files from subdirectories* checkbox is checked. No action is needed for the next two screens, so you can click past them. Select the part you intend to use for the project from the list, click *Next* and *Finish*.

You should now have a fresh project with the TTA sources included.

### 3.11.4 Create a Block Design

Navigate to *Flow>Create Block Design* and name it *toplevel*. Right click on the design, select *Add IP* and add a *ZYNQ7 Processing System* block. Next, add the TTA cores. Again, right click on the design, but this time choose *Add module...* or – in older versions of Vivado – *Add block...* Since our entity name was *tta\_core*, the AlmaIF wrapper was named *tta\_core\_toplevel*. Add that, and repeat once.

You should now have two TTA cores and one *ZYNQ7 Processing System* in your block design. We will need to connect these together. Luckily, Vivado will recognize the AXI4 bus on our AlmaIF wrapper, and will offer to connect it for us. Right click on an empty part of the block design and select *Run block automation*, Click OK. Right click on the block design again and select *Run connection automation*. Check the *All Automation* checkbox and click OK.

After this, Vivado has picked address spaces for the cores. You can see these from the Address Editor tab. You will need these addresses to control the cores from the hard processor cores.

### 3.11.5 Cleanup

You will notice that the TTA cores' asynchronous reset has been left unconnected. We can actuate a synchronous reset through AlmaIF, so we can connect these to a constant high signal. Right click on the design, select *Add IP* and add the *Constant IP* block. Right click on the newly created block and select *Customize IP*. Set both *Width* and *Value* to 1. Connect the output to both cores' asynchronous reset pin.

You may customize the TTA cores' clock frequency by right clicking on the *ZYNQ7 Processing System* block and selecting *Customize IP*. The FPGA fabric clock frequencies can be set under *Clock Configuration*.

### 3.11.6 Synthesis and Implementation

Our block design is ready, but we'll have to create a wrapper for it before it can be synthesized. Select *Flow>Project Manager* from the menu bar. You can see the *toplevel* block design in the sources window.

Right click on it and select *Create HDL Wrapper*. The default setting works for us, click *OK*. Right click on the newly created *toplevel\_wrapper* and select *Set as Top*.

You can now select *Flow>Generate Bitstream* from the menu bar. This will run the design through synthesis and implementation, and give you a bitstream file with which you can program the FPGA fabric on your SoC.

## 3.12 Hardware Loops

This section explains the usage of hardware loop operations in OA. The design is based on the LLVM's generic hardware loop support (Hardware Loops pass) and its purpose is to provide enhancements to the program control unit in TTA by effectively handling loop control-flow (loop index update and conditional branch to loop-entry).

OA's implementation of hardware loops lowers the LLVM's hardware loop intrinsics to a backend instruction HWLOOP in the loop pre-header. The HWLOOP instruction takes two parameters

- **Iteration count** - Specifies the number of times the loop-body need to be iterated
- **Instruction count** - Number instructions in the loop-body

Note that, the HWLOOP instruction is handled by the control hardware. Other details such as whether and how the loop is cached is left to the underlying hardware implementation.

### 3.12.1 Tour to Using the Hardware Loops

The hardware loop can be enabled in the OA by simply adding HWLOOP instructions to control-unit in the TTA design. To start with, **copy minimalist TTA machine by**:

```
cp $(tce-config --prefix)/share/openasip/data/mach/minimal.adf hwloop.adf
```

We can observe from OSED that the HWLOOP instruction takes two parameters. Hence, add an additional input port to the control-unit and add then the HWLOOP instruction to the unit.

Next, we create a program that uses the added hardware loop instruction and simulate it in the TTA simulator. **Create a new file named as "example.c"**. In the below, is example program that can use the hardware loops.

```
#define SAMPLE_SIZE 128
volatile int input[SAMPLE_SIZE];

int main() {
    // Simple memset kernel
    #pragma clang loop unroll(disable)
    for (int i=0; i<SAMPLE_SIZE; i++) {
        input[i] = 0;
    }
    return 0;
}
```

**Copy-paste the code to the newly created file and compile it to TPEF by**

```
tcecc -O3 -o example.tpef -a hwloop.adf example.c
```

Next, to see how the hardware loop works, **simulate the program in TTA simulator ProXim by**:

```
proxim hwloop.adf example.tpef
```

After triggering the hardware loop operation HWLOOP, there are delay slot instructions, which are always executed before the actual loop. The number of delay slots is defined in the control unit of the ADF. Stepping through the program we should observe that the loop in the above source code is repeated by 128 times before exiting the loop.

### 3.13 Function Unit Generator

Function Unit Generator (FUGen) is an automatic HDL generator for creating the boilerplate code binding operation hardware implementations together as a function unit with a combination of multiple operations, or with complex operations consisting of a number of simpler operations.

FUGen can be used for all function units including ones that use external ports. FUGen alters the traditional hardware design flow for automating the creation of function units with different operation combinations. Individual operations need to be described once and can then be used in combination with any other operations.

This section gives usage description with examples for utilizing the FUGen in the processor RTL generation parts of the design flow.

#### 3.13.1 Operation Implementations

For FUGen to operate it needs both verilog and VHDL description for the operations. Operation descriptions are raw code “snippets” written in the corresponding hardware description language. “Snippets” must refer to all of the operations operands as defined in the OSAL. In addition, “snippets” may refer to additional variables, “resource” ports, “external ports”, or some generally available signals. “Resource” refers to a VHDL entity or a verilog module that the FUGen can instantiate to allow creating more complex operations that, for example, use blackbox models. FUGen can also generate most operations from OSAL Operation DAGs as long as all the nodes have “snippet” implementations.

The following give examples of snippets for VHDL and Verilog for the base operation set MUL operation.

Listing 3.1: VHDL “snippet” for MUL operation

```
op3 <= std_logic_vector( resize( unsigned( op1 ) *
                               unsigned( op2 ), op3' length ) );
```

Listing 3.2: Verilog “snippet” for MUL operation

```
op3 = op1 * op2;
```

The OSAL operands are referred in the HDL code as “op1”, “op2”, etc. The order of the operand numbering, and their widths are the same as defined in OSAL.

When referring to variables, and when implementing operations otherwise, one must adhere to the hardware description language’s own syntax and semantic rules. For example, the ADDH examples below implement the half-floating point addition operation using the Designware’s fp\_mac blackbox module. When referring to a “resource”, one must also specify its index after the port’s name as one operation may instantiate multiple resources. FUGen counts the resource usage per operation and reuses them.

Listing 3.3: VHDL “snippet” for ADDH operation

```
a_1 <= op1;
var_v := op2;
b_1 <= X"3C00";
c_1 <= var_v;
op3 <= z_1;
rnd_1 <= "000";
```

Listing 3.4: Verilog “snippet” for ADDH operation

```
a_1 = op1;
b_1 = 16'h3c00;
c_1 = op2;
rnd_1 = 3'b000;
op3 = z_1;
```

The “Snippets” may also refer to the following “OA standard” signals.

**glock** Global lock input signaling that the TTA is locked.

**glockreq** Global lock request that places the TTA under a lock. Global Lock Request may not depend on the “glock” to avoid combinatorial loops.

**trigger** A Signal that has a logical one value only at the clock cycle that the operation is triggered. It is useful in some situations, as normally a generated FU may “execute” the previously triggered operation “snippet” (thus cause logic toggling) even though the operation was not triggered on the current clock cycle.

For implementing a resource one must create the resource entity in VHDL or a module in verilog and describe it as a IP-XACT component. External ports are described as a IP-XACT abstract bus definition.

After creating resources or “snippets” they can be added to the HDB along with all the variables used in the “snippets”. Resources and external port descriptions must be created before the operations using them.

In ProDe, for generating a function unit one must add all operation implementations used in it in “Processor Implementation” dialog’s “Function Unit Generation” pane. However, this is only capable of adding operations that have direct implementations in the HDB.

FUGen is also capable of generating operations based on their OSAL definition. For example, the multiply-accumulate operation can be built from snippets for multiplication and addition. Specifying this in the IDF is not supported, and instead, automatic selection of operation implementations must be used. This is done alongside processor generation by specifying HDBs to search for the operations with the `--hdb-list` argument. Processor Generator first attempts to select full function unit implementations, and falls back on FUGen snippets if that fails.

There are HDBs with basic operation snippets, covering most of our operation set:

**generate\_base32.hdb** Scalar arithmetic operations.

**generate\_lsu\_32.hdb** HDBs containing AlmaIF Integrator-compatible snippets for simple LSU implementations.

**generate\_rf\_iu.hdb** Generic register file implementations.

### 3.13.2 HDL Details and Limitations

Everything should be described in lower case. Only integer generics/parameters are allowed for “resources” and they must have a value. Code “snippets” may not read its OSAL output or refer to any signal in any way before it has been written to. Outputs from “resources” may be considered as having been written already.

“Resources” must implement its operation in zero clock cycles although may have a clock and a reset. If a “resource” has a clock and/or a reset, they must be named “clk” and “rstx”, respectively.

Operation implementations can also have a post-operation “snippet”. These are meant mainly to allow implementing load operations. Normal “snippets” are “executed” the clock cycle the FU is triggered, but post-operation “snippets” are “executed” on the last operation’s last clock cycle. As all generated operations have a registered output, this means load operations must have a latency of at least 2 clock cycles to allow one for the memory.

### 3.13.3 Default Load and Store Operations

By default, OA comes with load and store operation “snippets” that implement a simple 32-bit interface for accessing the memory. Interface is generated when operations from ‘generate\_lsu32.hdb’ HDB are used to generate the FU.

**avalid\_out** Access valid is asserted when the FU wants to make a memory access. TTA is locked when ‘aready’ is not asserted and ‘avalid’ is.

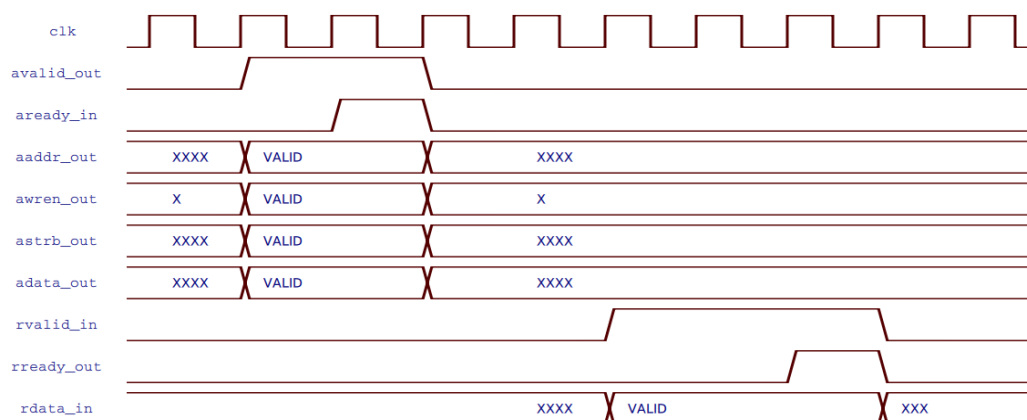


Figure 3.10: Default generated LSU interface signals from TTA's perspective.

**aready\_in** Access ready from the memory side. Must not depend on 'avalid'. Transaction must happen when both 'avalid' and 'aready' are asserted.

**aaddr\_out** Access address. Byte address.

**awren\_out** Access active high write or active low read signal.

**astrb\_out** Access strobe. Active high bits for the bytes that are written to or read from the memory. Accesses are always aligned on the access' width. E.g 16-bit operation on a 32-bit data lane only ever generates strobes '0011' or '1100'.

**adata\_out** Access data. Bytes that correspond to the strobe carry valid data. E.g. 8-bit write to the memory may come on different byte on the data lane depending on the address. Bit 0 on 'astrb' marks whether byte 0 is valid on 'adata', etc.

**rvalid\_in** Read valid from memory. If 'rready' is not asserted the memory must delay the data.

**rready\_out** Read ready. Transaction must occur when both 'rvalid' and 'rready' are asserted. If 'rvalid' is not asserted FU locks the core until the read data arrives.

**rdata\_in** Read data. Data must always be on the LSBits for different loads. E.g. a 16-bit load from a wider memory must come in the bits 15:0. 'astrb' is sufficient to infer the load's width and the bits that must be shifted to those LSBits.

### 3.14 RISC-V Tutorial

This tutorial goes through the RISC-V customization in OpenASIP toolset. It starts from C code and ends up with a VHDL of a customized processor. During the tutorial the user will learn how to add custom instructions to a RISC-V architecture, as well as how to compile programs for the customized architecture.

```
> wget http://openasip.org/tutorial_files/tce_tutorials.tar.gz
> tar -xzf tce_tutorials.tar.gz
> cd tce_tutorials/tce_tour
> ls -la
```

```
total 84
drwxr-xr-x 3 tce tce 4096 2010-05-28 11:40 .
drwx----- 7 tce tce 4096 2012-05-18 13:22 ..
-rw----- 1 tce tce 5913 2010-03-08 20:01 crc.c
-rw----- 1 tce tce 1408 2008-11-07 11:35 crc.h
```



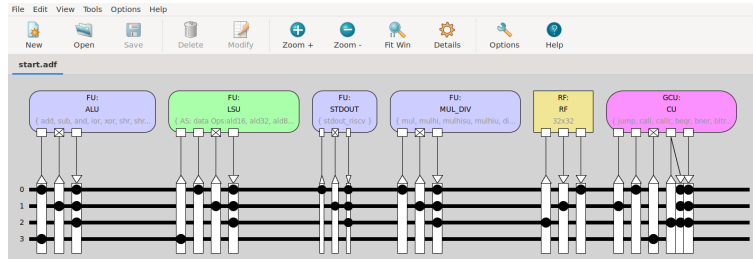


Figure 3.11: Processor Designer (prode) with the starting point ADF loaded.

```

-rw----- 1 tce tce 3286 2008-11-07 11:35 crcTable.dat
-rw-r--r-- 1 tce tce 2345 2010-03-08 13:04 custom_operation_behavior.cc
-rw-r--r-- 1 tce tce 855 2010-05-28 11:41 custom_operations.idf
-rw----- 1 tce tce 1504 2010-03-08 20:01 main.c
-rw-r--r-- 1 tce tce 45056 2010-03-10 16:09 tour_example.hdb
drwxr-xr-x 2 tce tce 4096 2010-05-28 11:40 tour_vhdl

```

### 3.14.1 The Sample Application

The test application counts a 32-bit CRC (Cyclic Redundant Check) check value for a block of data, in this case 10 bytes. The C code implementation is written by Michael Barr and it is published under Public Domain. The implementation consists of two different version of crc, but we will be using the fast version only.

The program consists of two separate files: 'main.c' contains the simple main function and 'crc.c' contains the actual implementation. Open 'crc.c' in your preferred editor and take a look at the code. Algorithm performs modulo-2 division, a byte at a time, reflects the input data (MSB becomes LSB) depending on the previous remainder, and XORs the remainder with a predefined polynomial (32-bit constant). The main difference between the crcSlow and crcFast implementations is that crcFast exploits a precalculated lookup table. This is a quite usual method of algorithm optimization.

### 3.14.2 Starting Point Processor Architecture

Copy the 'rv32im.adf' file included in OpenASIP distribution to a new ADF file:

```
cp $(openasip-config --prefix)/share/openasip/data/mach/rv32im.adf start.adf
```

The file describes a RISC-V (RV32IM) processor containing a full bypass network and function units that implement the RISC-V operations. We use this description as the starting point.

You can view the architecture using the graphical Processor Designer (ProDe, Section 4.1) tool:

```
prode start.adf &
```

Fig. 3.11 shows how Prode should look like. There are 4 buses and 4 units: control unit (CU), a register file (RF), 1 arithmetic-logic unit (ALU), and 1 load-store unit (LSU). These units and buses describe the microarchitectural implementation of the RISC-V processor. The user can freely split operations to multiple function units or combine them under the same function unit. In the example description, the LSU and ALU are separated. However, the control unit that implements control instructions, must be separated to its own unit.

You'll learn how to edit the processor with ProDe later in this tutorial.

### 3.14.3 Compiling and simulating

Now we want to know how well the starting point architecture executes our program. Let's compile the source code for this architecture with command:

```
oacc-riscv -O3 -a start.adf --output-format=bin -o crc.img main.c crc.c
```

In addition to source codes, the compiler needs the architecture definition 'start.adf'. As 'start.adf' does not yet include any custom instructions, the compiled program is fully compatible with the RISC-V RV32IM ISA. `output-format=bin` specifies that the compiler should emit the output as a binary text file that can be used for RTL simulation.

For verifying that your changes to the processor and crc algorithm were correct, add the switch `-D_DEBUG` to the `oacc-riscv` command:

```
oacc-riscv -D_DEBUG -O3 -a start.adf --output-format=bin -o crc.img main.c crc.c
```

By enabling the `_DEBUG` define on the command line, we enable debug prints in the CRC source code. This way you can verify that the changes you do throughout the tutorial are correct. Notice that printing takes the majority of the CPU time which affects the results!

Now to simulate the processor in RTL simulation, we need to generate the processor RTL and its testbench:

```
generateprocessor -o riscv-proc -t start.adf
```

In the command we specified that we want the processor RTL generated in a folder `-o riscv-proc`. Option `-t` declares that the testbench is to be generated. The processor generator will automatically pick the correct hardware database entries for the user for function unit RTL generation.

After this generate the HDL packages for the instruction address space.

```
generatebits -x riscv-proc start.adf
```

Copy the binary file we generated previously with `oacc-riscv` to the 'riscv-proc/tb' directory. Do an identical copy for both instruction and data image

```
cp crc.img riscv-proc/tb/imem_init.img
```

```
cp crc.img riscv-proc/tb/dmem_data_init.img
```

Currently the testbench uses separate instruction and data memories which is why both of them require a separate initialization file.

Now, move to the `riscv-proc` directory

```
cd riscv-proc
```

Here you can find the compilation and simulation scripts. Compile the the VHDL source files with the script. This step requires `ghdl` to be installed. Alternatively you can use the `modsim_compile.sh` and `modsim_simulate.sh` scripts if you have ModelSim installed.

```
./ghdl_compile.sh
```

and simulate the processor and the program run

```
./ghdl_simulate.sh -r 100000
```

After a moment the simulation exits automatically when the exit function is reached. You can see an instruction trace of the executed instructions in "riscv\_instruction\_trace.dump" and a trace of the register file traffic in "rf.dump". "Cycles.dump" stores the information about the amount of clock cycles and stalls. In the "hdl\_sim\_stdout.txt" you can see what was printed to stdout if you compiled the program with `-D_DEBUG`. You might see several assertions depending on your HDL simulator version, which you can safely ignore at this point.

### 3.14.4 Using custom operations

Custom operations (also known as special instructions) can be used to accelerate application-specific functionality. This part of the tutorial teaches how to accelerate the CRC application using CRC-specific operations.

First of all, it is quite simple and efficient to implement CRC calculation entirely on hardware. However, implementing the whole CRC function as a custom operation would be quite pointless and the flexibility

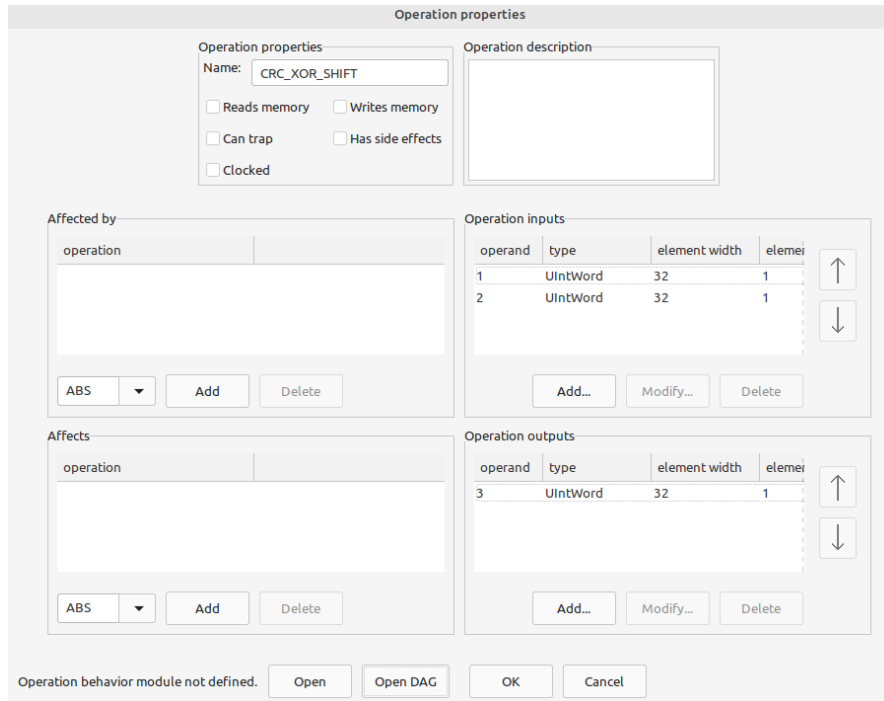


Figure 3.12: Operation Set Editor when adding new operation CRC\_XOR\_SHIFT.

benefits of using a processor-based implementation would diminish. Instead, we will concentrate on applying a “fine grained” custom operation which accelerates a smaller part of the algorithm, while keeping the architecture useful also for other applications.

### 3.14.5 Defining a custom operation with a DAG

In OpenASIP the user can add custom operations to processor designs in two ways: with HDL snippets or directed acyclic graph (DAG) descriptions. With DAG descriptions, the user is able describe operations that can be described as a chain of already implemented operations. When this is not feasible, a new operation can be implemented by using HDL snippets.

Let’s first add a new custom operation with the DAG approach.

**Using Operation Set Editor (OSEd) to add the operation data.** OSEd is started with the command

```
osed &
```

Create a new operation module, which is a container for a set of operations. You can add a new module in any of the predefined search paths, provided that you have sufficient file system access permissions.

For example, choose directory `’/home/user/.openasip/opset/custom’`, where *user* is the name of the user account being used for the tutorial. This directory is intended for the custom operations defined by the current user, and should always have sufficient access rights.

1. Click the root in the left area of the main window which opens list of paths. Right-click on a path name `’/home/user/.openasip/opset/custom’`. A drop-down menu appears below the mouse pointer.
2. Select **Add module** menu item.
3. Type in the name of the module (for example, `’riscv_tutorial’`) and press *OK*. The module is now added under the selected path.

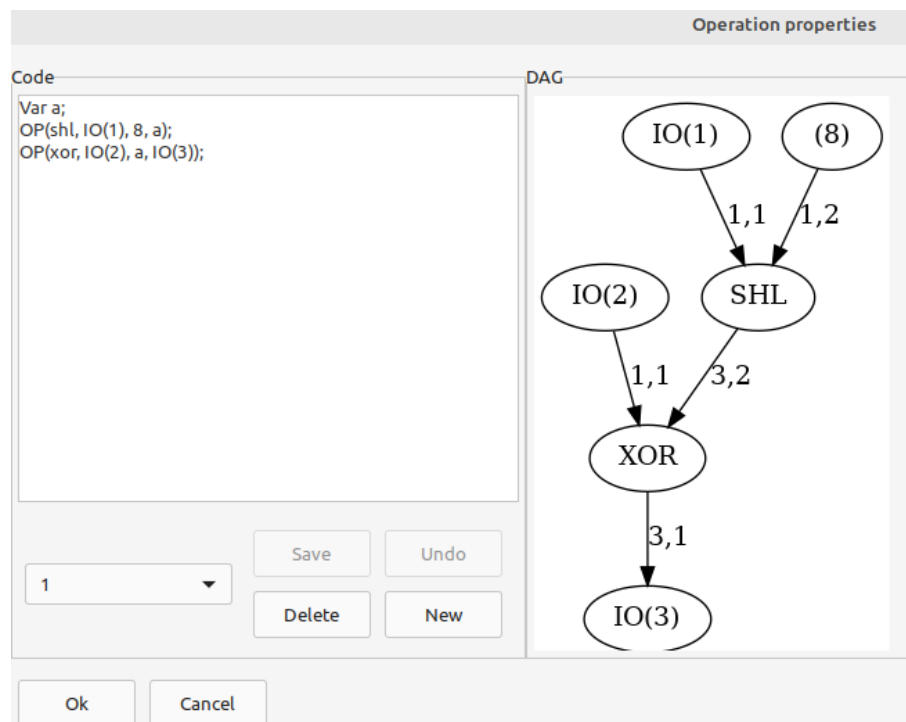


Figure 3.13: CRC\_XOR\_SHIFT DAG description

**Adding the new operations.** We will now add the operation definitions to the newly created operation module.

1. Select the module that you just added by right-clicking on its name, displayed in the left area of the main window. A drop down menu appears.
2. Select **Add operation** menu item.
3. Type 'CRC\_XOR\_SHIFT' as the name of the operation.
4. Add two inputs by pressing the *Add* button under the operation input list. Select *UIntWord* as type.
5. Add one output by pressing the *Add* button under the operation output list. Select *UIntWord* as type.
6. At this stage the dialog should look like in Fig. 3.12
7. Press *Open DAG*
8. Type the operation description in the dialog as a DAG by combining an SHRU and XOR operation, see Fig. 3.13.
9. Press *Save* and then *OK*.
10. Close the dialog by pressing the *OK* button. A confirmation dialog will pop up. Press *Yes* to confirm the action. The operation definition is now added to the module.

Now open start.adf with ProDe to add the new custom operation to your processor architecture as a special instruction.

```
prode start.adf
```

1. Double click the ALU function unit.

## OPENASIP

2. Click *add from Opset*.
3. Filter `CRC_XOR_SHIFT`.
4. Click the operation and press *OK*
5. Make sure the first operand is bound to P1 that is the triggering port. This is important when generating the RISC-V decoder.
6. On the Operand usage view, you can change the desired latency by switching the third operand write cycle. For this case, you can leave it as it is because the operation is simple and can be therefore easily implemented in a single cycle.
7. Press *OK* on the operation dialog.
8. Press *OK* on the FU dialog.

Now you have successfully added the operation to the processor microarchitecture. We need to also add it to a RISC-V instruction format.

1. Press *OTA Formats* under *Edit*. The formats have predefined names that are included in this architecture definition. The compiler and ProGe expects these names to be found in the definition.
2. Click the *riscv\_r\_type* item. The operations included in this format are listed in the operations menu, RISC-V naming scheme is used for the operations.
3. Click *Add*
4. Click *crc\_xor\_shift*
5. Click *OK* on the operation dialog.
6. Click *OK* on the OTA Formats dialog.
7. Save the ADF by pressing Ctrl-S or by clicking the save icon and close ProDe.

Now we have added the operation both in the microarchitecture and the instruction format. Next, we need to call the new `CRC_XOR_SHIFT` custom instruction with an intrinsic from the source code. Open 'crc.c' line 224.

Usage of OpenASIP RISC-V custom operation macros/intrinsics is as follows:

```
_OA_RV_<opName>(input1, ... , inputN, output1, ... , outputN);
```

where <opName> is the name of the operation in OSAL. Number of input and output operands depends on the operation. Input operands are listed first and they are followed by output operands, if any.

In our case we need to write a single word into the `CRC_XOR_SHIFT` and read the result from it.

```
_OA_RV_CRC_XOR_SHIFT(remainder, crcTable[data], remainder);
```

After you add the macro, the loop body should look like this:

```
data = REFLECT_DATA(message[byte]) ^ (remainder >> (WIDTH - 8));  
_OA_RV_CRC_XOR_SHIFT(remainder, crcTable[data], remainder);
```

Now regenerate the processor the same way as previously. Also compile the program and generate the program images for the testbench. Compile and run the program in RTL simulation. After the simulation is complete you see that the execution took slightly fewer cycles but same information was printed to stdout.

```

for reflect8_bit in 0 to 7 loop
  op3(reflect8_bit) <= op1(7-reflect8_bit);
end loop;

```

Figure 3.14: REFLECT8 VHDL snippet

### 3.14.6 Defining a custom operation using an HDL snippet

In the previous section, we described the operation as a DAG and were able to automatically generate the hardware for the new operation. However, it is not possible to describe the whole reflect loop of CRC as an OpenASIP DAG.

In this subsection we show how we can implement the reflection loop as a VHDL snippet and add it to the architecture definition as a special instruction.

Start OSEd: `osed &`

1. Select the module that you added in the previous section by right-clicking on its name, displayed in the left area of the main window. A drop down menu appears.
2. Select **Add operation** menu item.
3. Type 'REFLECT8' as the name of the operation.
4. Add two inputs by pressing the *Add* button under the operation input list. Select *UIntWord* as type. Currently OpenASIP requires RISC-V custom instructions to have two inputs to follow the R-format, so we use one empty input to pad the instruction.
5. Add one output by pressing the *Add* button under the operation output list. Select *UIntWord* as type.
6. After the inputs and the output of the operation have been added, close the dialog by pressing the *OK* button. A confirmation dialog will pop up. Press *Yes* to confirm the action. The operation definition is now added to the module.
7. Then repeat the steps for operation 'REFLECT32'.

Now that we have the operations in the operation set library, we can add a hardware database entries for them. Let's start by creating the HDL snippets themselves.

1. Create a file `reflect8.vhd` in the `tour_vhdl` folder.
2. Write the HDL of the operation and use `opN` to refer to the input and output operands, eg. `op1`, `op2`, `op3` ... . The processor generator will map the function unit input and outputs to these signals when generating the hardware. See Fig. 3.14 for the correct HDL description of REFLECT8. It "flips" the word by mirroring the upper bits to lower, etc.
3. Do the same thing but for the REFLECT32. Remember to set the loop iterator limit to 31 and the constant inside `op1` to 31 so it mirrors the bits of the whole 32 word.
4. Now we could also add a a verilog definition of the operation but as this exercise only goes through the VHDL generation, create an empty file called `verilog.v` in the same directory. Alternatively the user can write the verilog version as an exercise.

Now that we have the snippets written, we can add the operation implementations to the hardware database.

`hdbeditor &`

1. Press *Create hdb* under *File*. Name it `riscv_tour.hdb`

## OPENASIP

2. Press *Add operation implementation* under *Edit*. Name it 'reflect8'.
3. Add the VHDL Op implementation file reflect8.vhd. You can leave the Verilog implementation file field empty as this tutorial only goes through VHDL generation and Verilog generation for RISC-V is not currently supported.
4. Press *OK*.
5. Add operation implementation for reflect32 similarly.

Now open start.adf with ProDe to add the new custom instructions to the processor description.

```
prode start.adf
```

1. Double click the ALU function unit.
2. Click *add from Opset*.
3. Filter REFLECT8.
4. Click the operation and press *OK*
5. Switch the operation-port binding so that the first operand is bound to P1 that is the triggering port.
6. On the Operand usage view, you can change the desired latency by switching, the third operand write cycle. Leave it as it is because the operation is simple and can be therefore easily implemented in a single cycle.
7. Press *OK* on the operation dialog.
8. Add REFLECT32 similarly.
9. Press *OK* on the FU dialog.

Add the new instructions to the R-format like previously.

1. Press *OTA Formats* under *Edit*. The formats have predefined names that are included in this architecture definition. The compiler and ProGe expects these names to be found in the definition.
2. Click the *riscv\_r\_type* item. The operations included in this format are listed in the operations menu, RISC-V naming scheme is used for the operations.
3. Click *Add*
4. Click *REFLECT8*
5. Click *OK* on the operation dialog.
6. Add REFLECT32 similarly.
7. Click *OK* on the OTA Formats dialog.
8. Save the ADF by pressing Ctrl-S or by clicking the save icon and close ProDe.

Let's modify the crcFast function to use the custom op. First declare 2 new variables at the beginning of the function:

```
crc input;  
crc output;
```

The input data of reflect function is read from array message[] in the for-loop. Let us modify this so that at the beginning of the loop the input data is read to the input variable. Then we will use the `_OA_RV_REFLECT8` macro to run the custom operation, and finally replace the `REFLECT_DATA` macro with the output variable. After these modifications the body of the for-loop should look like this:

```

input = message[byte];
_OA_RV_REFLECT8(input, 0, output);
data = (unsigned char) output ^ (remainder >> (WIDTH - 8));
_OA_RV_CRC_XOR_SHIFT(remainder, crcTable[data], remainder);

```

Next we will modify the return statement. Originally it uses a REFLECT\_REMAINDER macro where nBits is defined as WIDTH and data is remainder. Simply use \_OA\_RV\_REFLECT32 macro before return statement and replace the original macro with the variable output:

```

_OA_RV_REFLECT32(remainder, 0, output);
return (output ^ FINAL_XOR_VALUE);

```

Now we can generate the processor. Because we want to use the hardware database we defined by ourselves, we must explicitly state the HDBs we want to use to the processor generator, save them to an environment variable “HDBS“:

```
HDBS=asic_130nm_1.5V.hdb,generate_base32.hdb,generate_lsu_32.hdb,riscv_tour.hdb
```

After that, write the generateprocessor command with the hdb-list argument:

```
generateprocessor --hdb-list=$HDBS -o riscv-proc -t start.adf
```

When generating RISC-V processors, these HDBs are sufficient. If you are generating a TTA you might want to add generate\_rf\_iu.hdb to the list.

Now, compile the program and images as before and simulate the design in RTL simulation. This time, you should see a more significant drop in cycle counts but same information should still be printed to stdout meaning that the algorithm was executed correctly.

### 3.14.7 Final Words

This tutorial is now finished. Now you should know how to customize the RISC-V processor description by adding custom operations, as well as generate the processor implementation and its program image.

The RISC-V customization feature of the toolset is new and experimental. For example, currently OpenASIP does not include an instruction set simulator for RISC-V which is why the processor must be simulated in RTL simulation.

For your own designs, we recommend that you use the included 'rv32im.adf' description as a base and add your own custom instructions on top of it.



## Chapter 4

# PROCESSOR DESIGN TOOLS

### 4.1 TTA Processor Designer (ProDe)

Processor Designer (**ProDe**) is a graphical application mainly for viewing, editing and printing processor architecture definition files. It also allows selecting implementation for each component of the processor, and generating the HDL implementation of the processor. The application is very easy to use and intuitive, thus this section provides help only for the most common problematic situations encountered while using the toolset.

**Input:** ADF

**Output:** ADF, VHDL

The main difficulty in using the tool is to understand what is being designed, that is, the limitations placed by the processor template. Details of the processor template are described in [CSJ04].

#### 4.1.1 Starting ProDe

Processor Designer can simply be executed from command line with:

```
prode
```

#### 4.1.2 Function Unit Operation Dialog

The most complex part of ProDe is the operation property dialog which pops up when editing the operations inside a function unit.

The upper right side of the dialog contains the function unit resource table. The resource table is used to describe the pipeline resource usage of the operation inside the function unit. When the function unit is fully pipelined, there are no limitations on executing of successive instructions, thus it should be empty in that case.

If there is some limitation, for example pipeline component, which is used in some clock cycles of the operation execution, so that it limits the execution of successive operations, one or more pipeline resources should be added to model this component. Each operation that uses the resources (that can be arbitrarily named), should include timing information by marking the clock cycles the resource is used from the start of the operation.

For example, in a multiplication function unit, which has a 4-cycle latency, and is not pipelined at all; the resource called, for example, “multiplier” should be created, by pressing the add button. All the operations which use the multiplier component should have the first 4 clock cycles marked to use this resource in the resource usage table. Pressing the “add” button adds row to the resource usage table.

The lower right side of the dialog contains the operand I/O timing information. This describes when the operands are read or written from/to the function unit ports. R letter here means reading an input operand and W means writing a result to an output operand.

Note: the instruction scheduler of OA cannot yet take advantage of scheduling input operands after the triggering operand, so all the input operands should be read at cycle 0.

The writes of the results effectively mark the latency of the operation. **Important:** The cycles from this table for the result writes start one cycle after the trigger of the operand. So write in cycle 0 means that the result is ready on the cycle **following** the triggering of the operation, not the same cycle as the trigger is executed.

If an operation produces multiple results, they can be written at different clock cycles.

## 4.2 Operation Set Abstraction Layer (OSAL) Tools

**Input:** OSAL definitions

**Output:** OSAL definitions

### 4.2.1 Operation Set Editor (OSeD)

Operation Set Editor (**OSeD**) is a graphical application for managing the OSAL (Section 2.2.6) operation database. OSeD makes it possible to add, simulate, edit and delete operation definitions.

#### 4.2.1.1 Capabilities of the OSeD

OSeD is capable of the following operations:

1. All operations found in pre-defined search paths (see Section 4.4) are organised in a tree-like structure which can be browsed.
2. Operation properties can be examined and edited.
3. Operations with a valid behavior model can be tested (simulated).
4. New operation modules can be added to search paths.
5. Operation definitions can be added to a module.
6. Modules containing operation behaviors can be compiled, either all at once, or separately.
7. Modules can be removed.
8. Contents of the memory can be viewed and edited.

#### 4.2.1.2 Usage

This chapter introduces the reader to the usage of OSeD. Instructions to accomplish the common tasks are given in detail.

Operation Set Editor can simply be executed from command line with:

```
osed
```

The main window is split in two areas. The left area always displays a tree-like structure consisting of search paths for operation definition modules, operation modules, and operations. The right area view depends on the type of the item that is currently selected in the left area. Three cases are possible.

1. If the selected item is a search path, the right area shows all operation modules in that path.
2. If the item is a module, the right area shows all the operations defined in the module.
3. If the item is an operation, the right area displays all the properties of the operation.

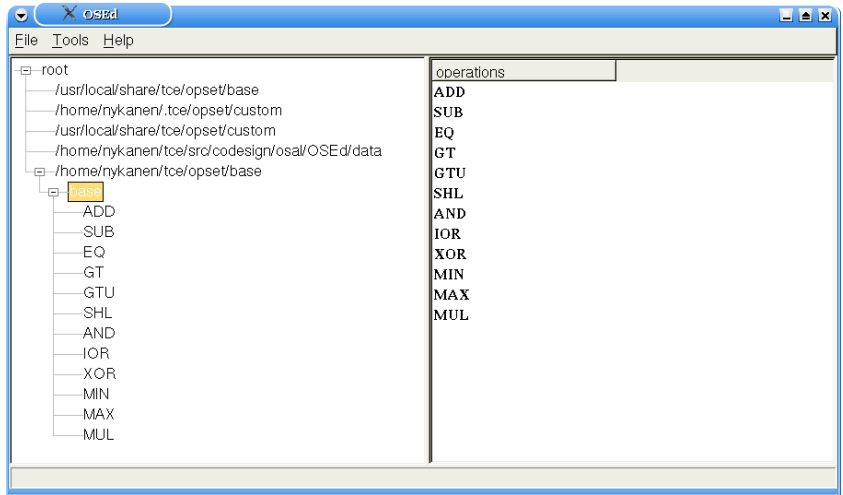


Figure 4.1: OSEd Main window.

property	value	operand value
name	mul	
inputs	2	
outputs	1	
reads memory	no	
writes memory	no	
can trap	no	
has side effects	no	
affected by	none	
affects	none	
input operands	id: 1	
	optional	no
	memory address	no
	memory data	no
	can swap	id: 2
	id: 2	
	optional	no
	memory address	no
	memory data	no
	can swap	id: 1
output operands	id: 3	
	optional	no
	memory data	no
has behavior	yes	

Figure 4.2: Operation property view.

Figure 4.1 shows an example of the second situation, in which the item currently selected is a module. The right area of the window shows all the operations in that module. If an operation name is shown in bold text, it means that the operation definition is “effective”, that is, it will actually be used if clients of OSAL request an operation with that name. An operation with a given name is effective when it is the first operation with that name to be found in the search paths. Other operations with the same name may be found in paths with lower search priority. Those operations are not effective.

Figure 4.2 shows an example of an operation property view, that is shown in the right side when an operation is selected on the left side.

**Editing Static Operation Properties** Figure 4.3 shows the dialog for editing the static properties of an operation.

Operation inputs and outputs (henceforth, “terminal” is used to denote both) can be deleted by selecting an item from the list and clicking the *Delete* button. New terminals can be added by clicking the *Add* button, and can be modified by clicking the *Modify* button. The order of the terminals can be changed

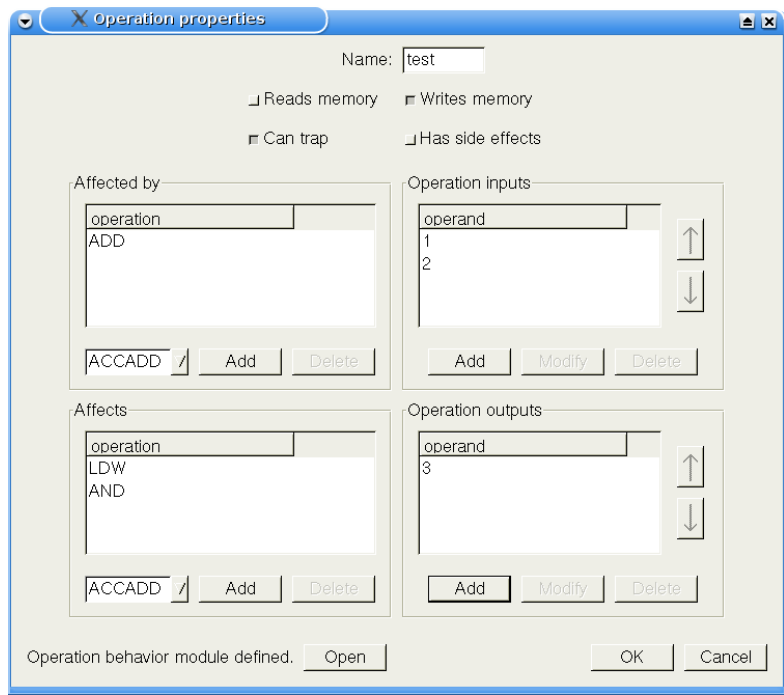


Figure 4.3: Operation property window

by selecting a terminal and pushing on of the arrow buttons. By pushing the downward arrow button, the terminal is moved one step downwards in the list; by pushing the upward arrow button, it is moved one step up on the list.

Operand properties can be modified by clicking on the check boxes. The set of operands that can be swapped with the operand being edited are shown as a list of references to operands (input identification numbers). A reference to an operand can be removed by selecting the corresponding item in the ‘can swap’ list and clicking the *Delete* button. A new reference to another operand can be added by selecting an item from the choice list and clicking the *Add* button.

**Operation Behaviour Model** Behaviour models of operations are stored in separate source files. If the operation definition includes a behaviour model, the behaviour source file can be opened in a text editor of choice by clicking on the *Open* button. If the operation does not have behavior source file, clicking *Open* will open an empty file in an editor. The text editor to use can be defined in the options dialog. All changes to operation properties are committed by clicking the *OK* button and canceled by clicking the *Cancel* button.

**Operation Directed Acyclic Graph** By treating each operation as a node and each input-output pair as an directed arc, it is possible to construct operation’s Directed Acyclic Graph (DAG) presentation. For primitive operations which do not call any other operations, this graph is trivial; one node (operation itself) with input arcs from root nodes and output arcs to leafs. With OSAL DAG language, it is possible to define operation behavior model by composing it from multiple operations’ respective models.

Operation’s OSAL DAG code sections can be edited by pressing the *Open DAG* button, which opens the DAG editor window. Code section shows the currently selected DAG code from the list box below. A new DAG section can be created either by selecting *New DAG* list box item or pressing the *New* button. By pressing the *Undo* button, it is possible to revert changes to current code from the last saved position. DAG can be saved to operation’s definition file by pressing the *Save* button. Unnecessary DAG sections can be deleted by pressing the *Delete* button.

If code section contains valid OSAL DAG code, then the editor window shows a DAG presentation of that code. In order to view the graph, a program called ‘dot’ must be installed. This is included in Graphviz graph visualization software package and can be obtained from [www.graphviz.org](http://www.graphviz.org).

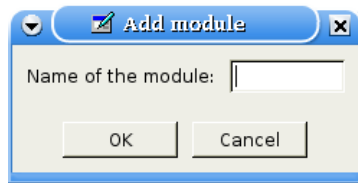


Figure 4.4: Dialog for adding new operation module.

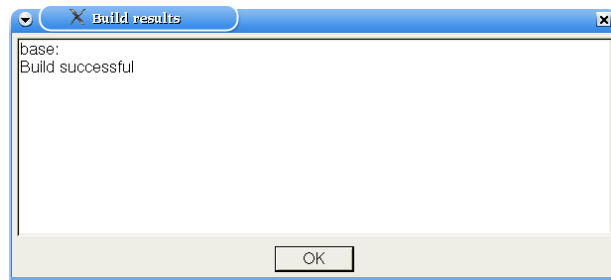


Figure 4.5: Result of module compilation

**Operation Modules** Figure 4.4 shows the dialog for adding a new operation module to a search path. The name of the module can be entered into the text input field.

Operation modules may consist also of a behaviour source file. Before operation behaviour modules can be simulated, it is necessary to compile the source file. Figure 4.5 shows a result dialog of module compilation.

**Data Memory Simulation Model** The contents of the data memory simulation model used to simulate memory accessing operations can be viewed and edited. Figure 4.6 shows the memory window. Memory can be viewed as 1, 2, 4, or 8 MAUs. The format of the data is either in binary, hexadecimal, signed integer, unsigned integer, float, or double format. The contents of the memory can be changed by double clicking a memory cell.

**Simulating Operation Behavior** The behavior of operation can be simulated using the dialog in Figure 4.7. Input values can be edited by selecting a input from the input list and typing the new value in a text field below the input list. Change can be committed by pushing *Update* button. Trigger command and advance clock command are executed by pushing *Trigger* and *Advance clock* buttons. The format of the inputs and outputs can be modified by selecting a new format from the choice list above the *Trigger* button.

## 4.2.2 Operation Behavior Module Builder (buildopset)

The OSAL Builder is an external application that simplifies the process of compiling and installing new (user-defined) operations into the OSAL system.

The OSAL Builder is invoked with the following command line:

```
buildopset <options> operation_module
```

where *operation\_module* is the name of the operation module. Operation module is the base name of a definition file, e.g., the module name of *base.opp* is 'base'. The *operation\_module* can also be a full path, e.g., '/home/jack/.openasip/opset/custom/mpeg'.

The behavior definition source file is searched in the directory of the *operation\_module*. The directory of the *operation\_module* is by default the current working directory. User may also enter the directory of the source file explicitly with switch '-s'. The suffix of the behavior definition source file is '.cc'. If no options are given, the output file is a dynamic module and is stored in the directory of the *operation\_module*.

The OSAL Builder accepts the following command line options:

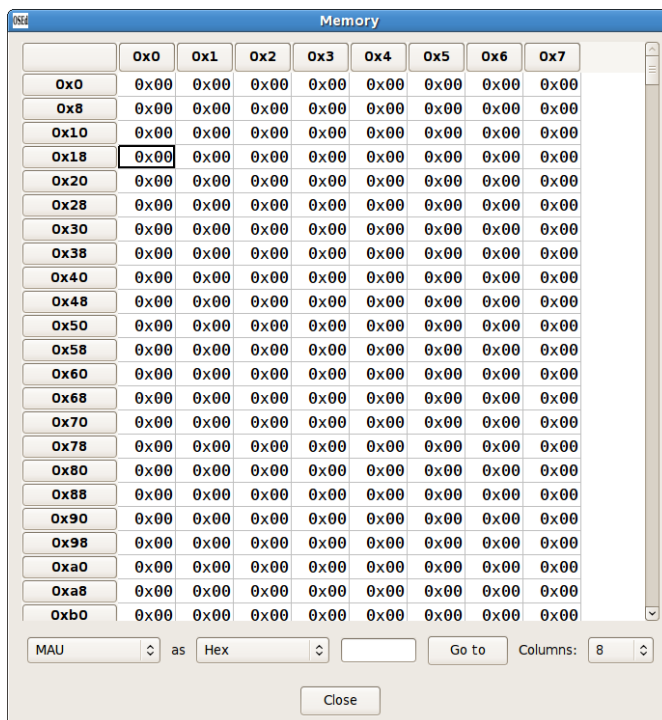


Figure 4.6: Memory window

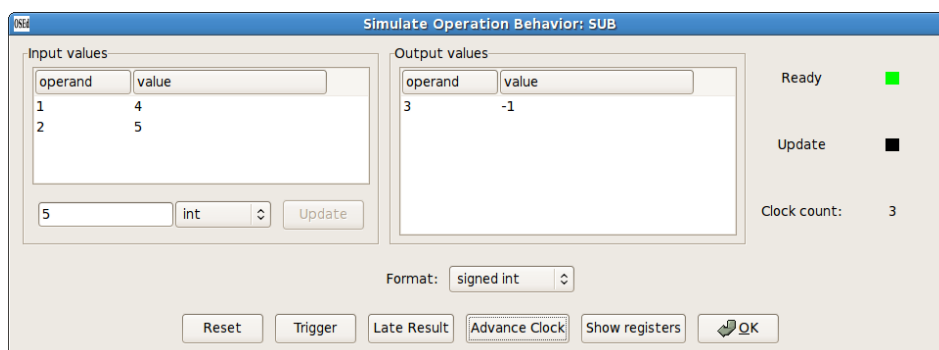


Figure 4.7: Operation Simulation

Short Name	Long Name	Description
b	ignore	<i>boolean</i> Ignores the case whereby the source file containing operation behavior model code are not found. By default, the OSAL Builder aborts if it cannot build the dynamic module. This option may be used in combination with <i>install</i> option to install XML data files before operation behavior definitions are available.
s	source-dir	<i>directory</i> Enter explicit directory where the behavior definition source file to be used is found.

Third-party libraries can be used in the operation behavior model. *buildopset* uses the environment variables *CPPFLAGS*, *CXXFLAGS* and *LDFLAGS* to search for the external library. E.g.:

```
CPPFLAGS=-I/opt/mpeg/inlucde LDFLAGS=-lmpeg buildopset /home/jack/.openasip/opset/custom/mpeg
```

### 4.2.3 OSAL Tester (testosal)

The OSAL Tester is a small external application meant for debugging operation behavior models. The Tester lets user to specify lists of operations and constant input values and the outputs the corresponding sequence of result values.

The OSAL Tester can be run in interactive mode or in batch mode (like a script interpreter). The batch mode is especially useful to create input data sets of regression tests.

## OPENASIP

- number of inputs (integer)
- number of outputs (integer)
- accesses memory (yes/no)
- has side effects (yes/no)
- clocked (yes/no)
- affected-by (set of operations)
- affects (set of operations)

**operation name** The operation name is a string of characters starting with a character in set [A-Z\_] and followed by one or more character in set [0-9A-Z\_] (i.e. lowercase letters are not allowed). All names of operations of the database must be unique. Different data bases can contain operations with equal names.

**operation description** Optional description of the operation.

**inputs** Number of inputs of the operation. The number of inputs is a nonnegative integer. It must be positive if the number of outputs is zero.

**outputs** Number of outputs of the operation. The number of outputs is a nonnegative integer. It must be positive if the number of inputs is zero.

**reads/writes-memory** Indicates that this operation can access memory. Normally, memory access is also implied from the properties 'mem-address' and 'mem-data' of operation inputs (or the 'mem-data' property of operation outputs). However, it is possible to define operations that perform *invisible* accesses to memory, whereby no input or output is related to the memory access itself. That is, neither the address nor the data moved into or out of memory is explicitly specified by the operation. In these operations, memory accesses occur as a side effect, and none of the inputs or outputs have memory-related properties. To avoid potential errors, the memory property must be specified explicitly even when it is implied by some of the inputs or outputs of the operation. See sections on input and output declarations, below.

**clocked** Clocked attribute indicates that the operation can change its state synchronously with clock signal and independently from its input.

**side-effect** Indicates that two subsequent executions of this operation with the same input values may generate different output values. An operation marked with "side-effect" is an operation which writes some state data, affecting further executions of the same operation and other operations sharing that same state data. The other operations that read or write the same state data written by an operation marked with "side-effect" must be marked "affected-by" that operation (see later for an example).

Note: only operations that write the state should marked to have "side-effects". Operations that only read the state data do not have side effects and may be reordered more freely by the compiler.

**affected-by** In case an operation reads or writes state data written by another operation sharing the same state data (that is marked with the "side-effect" property), the operation should be marked "affected-by" that operation.

This property restricts the compiler's reordering optimizations from moving operations that read or write state data above an operation that also writes the same data, which would result in potentially producing wrong results from the execution.

**affects** This is an optional convenience property that allows defining the state data dependency the other way around. If an operation is listed in the “affects” list it means that the operation is writing state data that is read or written by the affected operation.

Note: it is not necessary that, if operation A ‘affects’ operation B, then B must contain A in its ‘affected-by’ list. Vice versa, if A is ‘affected-by’ B, it is not needed that B must contain A in its ‘affects’ list. This allows, for example, a user to add new operations that share state with the base operations shipped with OA, without needing to modify the base operations.

**An example of defining multiple operations that share the same state.** A common use case for multiple operations that share state data is a case where one or more operations initialize an internal register file in an FU and one or more operations use the data in the register file to compute their results. For example, INIT\_RF could initialize the internal register file with the given number. This operation should be marked “side-effects”. Let’s say that another two operations COMPUTE\_X and COMPUTE\_Y only read the internal RF data, thus they can be freely reordered by the computer with each other in the program code in case there are no other dependencies. As they only read the state data, they don’t have and visible side effects, thus they should not be marked with the “side-effects” property. However, as they read the data written by the INIT\_RF operation, both operations should be marked to be “affected-by” the INIT\_RF.

### 4.3.2 Operation Input Properties

Each input of an operation requires an independent declaration of its properties. An operation input is completely defined by the following properties:

- identification number (integer)
- memory address (yes/no)
- memory data (yes/no)
- can be swapped (set of integers)

**identification number** Integer number in the range [1,N] where N is the number of inputs as defined in section 4.3.1 of operation declaration. If N is zero, then no input declarations can be specified. OA does not currently allow operations with zero inputs to be defined.

**can-swap** A list of identification numbers. All the inputs listed can be swapped with this input. The identification number of this input definition is not allowed in the list. The can-swap property is commutative, thus any of the listed inputs is implicitly ‘can-swap’ with this input and all the other inputs listed. The can-swap declaration need not be symmetrical, but it is not an error if the implied declaration is also specified.

**mem-address** Optional. Indicates that the input is used to compute (affects the value of) the memory address accessed by this operation.

**mem-data** Optional. Indicates that the input is used to compute (affects the value of) the data word written to memory by this operation. This property implies that the operation writes to memory.

### 4.3.3 Operation Output Properties

Note: it is not an error if a program, before instruction scheduling, contains an operation where one of the output moves is missing. If all output moves of an operation are missing, then the only useful work that can be performed by the operation is state change.



**mem-data** Optional. Indicates that the output contains a value that depends on a data word read from memory by this operation. This property implies that the operation reads data from memory.

### 4.3.4 Operation DAG

The semantics of an operation may be modeled with a simple dag-based language. This can be used to both simulate the operation without writing the simulation code, and to allow the compiler to automatically use custom operations.

The optional field to describe the Operation DAGs is *trigger-semantics*. It contains description of the operation semantics as a directed acyclic graph (DAG).

The OperationDAG language description is given as the content of this element. The OperationDAG language has the following syntax:

All commands end in semicolon.

**Var** *name*{, *name2*, ... } Creates a temporary variables with given name. Usage examples:

```
Var temp;
Var temp1, temp2;
```

**OP**(*operationname*, *input1*, ..., *inputN*, *output1*, ..., *outputN*) Calls another operation with the given operand values.

The input values can be either temporary variables, inputs to the operation whose semantics is being modeled, or integer constants.

The output value can be either temporary variables or outputs of the operation whose semantics is being modelled.

Operands of the modeled operation are referred with name IO(<number>) where 1 is first input operand, 2 second input operand, and after input operands come output operands.

Temporary values are referred by their name, and integer constants are given in decimal format.

Example OperationDAG of the ADDSUB operation:

```
<trigger-semantics>
  OP(add, IO(1), IO(2), IO(3));
  OP(sub, IO(1), IO(2), IO(4));
</trigger-semantics>
```

### 4.3.5 Operation Behavior

To be complete, the model of an operation needs to describe the behavior of the operation. The behavior is specified in a restricted form of C++, the source language of the OA toolset, augmented with macro definitions. This definition is used for simulating the operation in the instruction set simulator of OA.

**Definition of Operation Behavior** Operation behavior simulation functions are entered inside an operation behavior definition block. There are two kinds of such blocks: one for operations with no state, and one for operations with state.

**OPERATION**(*operationName*) Starts an operation behavior definition block for an operation with name *operationName*. Operations defined with this statement do not contain state. Operation names must be written in upper case letters!

**END\_OPERATION**(*operationName*) End an operation behavior definition block for an operation with no state. *operationName* has to be exactly the same as it was entered in the block start statement OPERATION() .

**OPERATION\_WITH\_STATE(*operationName*, *stateName*)** Starts an operation behavior definition block for an operation with state. *operationName* contains the name of the operation, *stateName* name of the state. `DEFINE_STATE()` definition for the *stateName* must occur before this statement in the definition file. Operation and state names must be written in upper case letters!

**END\_OPERATION\_WITH\_STATE(*operationName*)** Ends an operation behavior definition block for an operation with state. *operationName* has to be exactly the same as it was entered in the block start statement `OPERATION_WITH_STATE()` .

The main emulation function definition block is given as:

**TRIGGER ... END\_TRIGGER;** Main emulation function.

The bodies of the function definitions are written in the operation behavior language, described in Section 4.3.6.

**Operations with state.** To define the behavior of an operation with state it is necessary to declare the state object of the operation. An operation state declaration is introduced by the special statement `DEFINE_STATE()` . See Section 4.3.6 for a description of this and related statements. State must be declared before it is used in operation behavior definition.

A target processor may contain several *implementations* of the same operation. These implementations are called Hardware Operations and are described in [CSJ04]. Each Hardware Operation instance belongs to a different function unit and is independent from other instances. When an operation has state, each of its Hardware Operations uses a different, independent instance of the state class (one for each function unit that implements that operation).

An operation state object is unambiguously associated with an operation (or a group of operations, in case the state is shared among several) by means of its name, which should be unique across all the operation definitions.

Operation state can be accessed in the code that implements the behavior of the operation by means of a `STATE` expression. The fields of the state object are accessed with the dot operator, as in C++. See Section 4.3.6 for a complete description of this statement.

**Main emulation function.** The behavior model of an operation must include a function that, given a set of input operand values and, optionally, an operation state instance, produces one or more output values that the operation would produce.

The definition of an emulation function is introduced by the statement `TRIGGER` and is terminated by the statement `END_TRIGGER;` .

An emulation function is expected to read all the inputs of its operation and to update the operation outputs with any new result value that can be computed before returning.

### 4.3.6 Behavior Description language

The behavior of operations and the information contents of operation state objects are defined by means of the behavior description language.

The emulation functions that model operation behavior are written in C++ with some restrictions. The OSAL behavior definition language augments the C++ language with a number of statements. For example, control may exit the definition body at any moment by using a special statement, a set of statements is provided to refer to operation inputs and outputs, and a statement is provided to access the memory model.

**Base data types.** The behavior description language defines a number of base data types. These types should be used to implement the operation behavior instead of the C base data types, because they guarantee the bit width and the format.

**IntWord** Unsigned integer 32-bit word.

**FloatWord** Single-precision (32-bit) floating-point word in IEEE-754 format.

**DoubleWord** Double-precision (64-bit) floating-point word in IEEE-754 format.

**HalfWord** Half-precision (16-bit) floating-point word in IEEE-754 format.

**Access to operation inputs and outputs.** Inputs and outputs of operations (henceforth referred to as *terminals*, when a distinction is not needed) are referred to by a unique number. The inputs are assigned a number starting from 1 for the first input. The first output is assigned the number  $n + 1$ , where  $n$  is the number of inputs of the operations, the second  $n + 2$ , and so on.

Two sets of expressions are used when accessing terminals. The value of an input terminal can be read as an unsigned integer, a signed integer, a single precision floating point number, or a double precision floating point number using the following expressions:

**UINT(*number*)** Treats the input terminal denoted by *number* as a number of type *IntWord*, which is an unsigned integer of 32 bits maximum length.

**INT(*number*)** Treats the input terminal denoted by *number* as a number of type *SIntWord*, which is a signed integer of 32 bits maximum length.

**FLT(*number*)** Treats the input terminal denoted by *number* as a number of type *FloatWord*.

**DBL(*number*)** Treats the input terminal denoted by *number* as a number of type *DoubleWord*.

Output terminals can be written using the following expression:

**IO(*number*)** Treats the terminal denoted by *number* as an output terminal. The actual bit pattern (signed, unsigned or floating point) written to the output terminal is determined by the right hand expression assigned to the IO() expression.

Since the behavior of certain operations may depend in non-trivial ways on the bit width of the terminals of a given implementation, it is sometimes necessary to know the bit width of every terminal. The expression

**BWIDTH(*number*)**

returns the bit width of the terminal denoted by *number* in the implementation of the calling client.

Bit width of the operands can be extended using two different expressions.

**SIGN\_EXTEND(*integer*, *sourceWidth*)** Sign extends the given integer from *sourceWidth* to 32 bits.

Sign extension means that the sign bit of the source word is duplicated to the extra bits provided by the wider target destination word.

For example a sign extension from 1001b (4 bits) to 8 bits provides the result 1111 1001b.

**ZERO\_EXTEND(*integer*, *sourceWidth*)** Zero extends the given integer from *sourceWidth* to 32 bits.

Zero extension means that the extra bits of the wider target destination word are set to zero.

For example a zero extension from 1001b (4 bits) to 8 bits provides the result 0000 1001b.

*Example.* The following code implements the behavior of an accumulate operation with one input and one output, where the result value is saturated to the “all 1’s” bit pattern if it exceeds the range that can be expressed by the output:

```
STATE.accumulator += INT(1);
IntWord maxVal = (1 << BWIDTH(2)) - 1;
IO(2) = (STATE.accumulator <= maxVal ? STATE.accumulator : maxVal);
```

**Definition of operation state.** Operation state consists of a data structure. Its value is shared by one or more operations, and it is introduced by the statement

**DEFINE\_STATE**(*name*)

where *name* is a string that identifies this type of operation state. This statement is followed by a list of data type fields. The state name string must be generated with the following regular expression:

```
[A-Z][0-9A-Z_]*
```

Note that only upper case letters are allowed.

A state definition block is terminated by the statement

**END\_DEFINE\_STATE**

*Example.* The following declaration defines an operation state class identified by the name string “BLISS”, consisting of one integer word, one floating-point word and a flag:

```
DEFINE_STATE(BLISS)
  IntWord data1;
  FloatWord floatData;
  bool errorOccurred;
END_DEFINE_STATE;
```

Some operation state definitions may require that the data is initialized to a predefined state, or even that dynamic data structures are allocated when the operation state object is created. In these cases, the user is required to provide an initialization definition inside the state definition block.

**INIT\_STATE**(*name*) Introduces the code that initializes the operation state.

**END\_INIT\_STATE** Terminates the block that contains the initialization code.

Some state definitions may contain resources that need to be released when the state model is destroyed. For example, state may contain dynamically allocated data or files that need to be closed. In these cases, the user must define a function that is called when the state is deallocated. This function is defined by a finalization definition block, which must be defined inside the state definition block.

**FINALIZE\_STATE**(*name*) Introduces the code that finalizes the operation state, that is, deallocates the dynamic data contained in an operation state object.

**END\_FINALIZE\_STATE** Terminates the block that contains finalisation code.

The state model provides two special definition blocks to support emulation of operation behaviour.

**ADVANCE\_CLOCK ... END\_ADVANCE\_CLOCK** In case the model of operations state is synchronous, this definition can be used to specify activity that occurs “in the raising edge of the clock signal”, that is, at the end of a simulation cycle. The C ‘return’ statement can be used to return from this function.

**Access to operation state.** Operation state is denoted by a unique name string and is accessed by means of the statement

**STATE**

Typically, an operation state data structure consists of several fields, which are accessed using the dot operator of C++. For example, the expression `STATE.floatData` in a simulation function refers to the field `floatData` of the state object assigned to the operation being defined. The precise format of an operation state structure is defined by means of the `DEFINE_STATE()` statement, and it is specific for an operation. State must be defined before it can be used in an operation definition.

**Access to control registers.** Operations that can modify the program control flow can access the program counter register and the return address of the target processor by means of the following expressions:

**PROGRAM\_COUNTER**

**RETURN\_ADDRESS**

Not all operations can access the control registers. Only operations implemented on a Global Control Unit (see [CSJ04]) provide the necessary data. It is an error to use `PROGRAM_COUNTER` or `RETURN_ADDRESS` in operations that are not implemented on a Global Control Unit.

**Context Identification** Each operation context can be identified with a single integer which can be accessed with `CONTEXT_ID` .

**Returning from operation behavior emulation functions.** Normally, an emulation function returns control to the caller when control flows out of the definition body. To return immediately, from an arbitrary point in the definition body, the following normal C++ return statement can be used. The return value is boolean indicating the success of the operation execution. In practice, 'true' is always returned:  
`return true; .`

**Memory Interface.** The memory interface of OSAL is very simplified allowing easy modeling of data memory accessing operations. The following keywords are used to define the memory access behavior:

**MEMORY.read(address, count, target)** Reads *count* units of data from the *address* to the variable *target* in the order of target endianness.

**MEMORY.write(address, count, data)** Writes *count* units of data in variable *data* to the *address* in the order of target endianness.

**MEMORY.readBE(address, count, target)** Explicitly reads *count* units of data from the *address* to the variable *target* in big endian order.

**MEMORY.readLE(address, count, target)** Explicitly reads *count* units of data from the *address* to the variable *target* in little endian order.

**MEMORY.writeBE(address, count, data)** Explicitly writes *count* units of data in variable *data* to the *address* in big endian order.

**MEMORY.writeLE(address, count, data)** Explicitly writes *count* units of data in variable *data* to the *address* in little endian order.

The endianness mode for *MEMORY.read(3)* and *MEMORY.write(3)* is determined by the target machine (see section 5.1.3) in the TTA simulator. In the OSAL tester, the endianness mode is fixed to big endian.

## 4.4 OSAL search paths

Default paths, where OSAL operations are searched allows local overriding of global operation definitions. The search paths are the following (the path where the operation is first found will be effective):

1. A custom path in the `$TCE_OSAL_PATH/` environment variable.
2. Operations in current working directory:  
`$PWD/`
3. `$PWD/data/`  
where `$PWD` is your current working directory

4. *TCE\_SRC\_ROOT/opset/base/*  
where *TCE\_SRC\_ROOT/* is the TCE source code directory.
5. Users local custom operations:  
*\$HOME/.openasip/opset/custom/*  
where *\$HOME* is users home directory.
6. System-wide shared custom operations: *TCE\_INSTALLATION\_DIR/opset/base/*  
where *TCE\_INSTALLATION\_DIR* is the path where TCE accessories is installed (for example */usr/local/share/openasip*).
7. Default predefined and standard operations:  
*TCE\_INSTALLATION\_DIR/opset/base/*  
where *TCE\_INSTALLATION\_DIR* is the path where TCE accessories is installed (for example */usr/local/share/openasip*).

## 4.5 Processor Generator (ProGe)

Processor Generator (**ProGe**) produces a synthesizable hardware description of a TTA target processor specified by an architecture definition file (Section 2.2.1) and implementation definition file (Section 2.2.4).

**Input:** HDB, ADF, IDF

**Output:** VHDL implementation of the processor

There is a command line client for executing this functionality, but the functionality can also be used in the Processor Designer (Section 4.1). This section is a manual for the command line client.

Processor generation can be customized with plugin modules. The customizable parts are the generation of control unit and the interconnection network.

The CLI-based version of the processor generator is invoked by means of a command line with the following syntax:

```
generateprocessor <options> target
```

The sole, mandatory argument *target* gives the name of the file that contains the input data necessary to generate the target processor. The file can be either a processor configuration file or an architecture definition file. If the file specified is a PCF, then the names of ADF, BEM and IDF are defined in it.

The given PCF may be incomplete; its only mandatory entry is the reference to the ADF that defines the architecture of the target processor. If the file specified is an ADF, or if PCF does not contain BEM and IDF references, then a BEM is generated automatically and the default implementation of every building block that has multiple implementations is used.

The processor architecture must be synthesizable, otherwise an error message is given.

Short Name	Long Name	Description
b	bem	BEM file or the processor. If not given, ProGe will generate it.
l	hdl	Specifies the HDL of the top-level file which wires together the blocks taken from HDB with IC and GCU. <sup>1</sup>
i	idf	IDF file.
o	output	Name of the output directory. If not given, an output directory called 'proge-output' is created inside the current working directory.
u	plugin-parameter	Shows the parameters accepted by an IC/Decoder generator plug-in and a short description of the plug-in. When this options are given, any other type of option is ignored and ProGe returns immediately without generating any output file or directory. Even though other options are ignored they must be valid.

<sup>1</sup>In the initial version, the only keyword accepted is 'vhdl'.

### 4.5.1 IC/Decoder Generators

IC/Decoder generators are implemented as external plug-in modules. This enables users to provide customizable instruction decoder and IC implementations without recompiling or modifying the existing code base. One can easily add different plug-ins to experiment with different implementation alternatives, and as easily switch from one to another plug-in. To create a new plug-in, a software module that implements a certain interface must be created, compiled to a shared object file and copied to appropriate directory. Then it can be given as command line parameter to the generator.

**Default IC Decoder Plugin** The plugin that is selected by default ProDe's Processor Implementation dialog. Parameters that can be passed to default ic decoder plugin are listed below. Note that if bustrace or locktrace is enabled the processor can not be synthesized.

Plugin parameter	Description
bustrace	Value "yes" on the parameter adds code to IC implementation that prints values of busses into a file called "bus.dump". The values are captured every clock period. By default the feature is disabled.
bustracestartingcycle	The cycle when the bus tracing starts. Parameter is unset by default.
locktrace	Value "yes" on the parameter adds code to decoder implementation that prints signal value of global lock into a file called "lock.dump". The value is captured every clock period. By default the feature is disabled.
locktracestartingcycle	Parameter is unset by default. When numeric value is given it will be the cycle when the global lock tracing starts. When value is "bustracestartingcycle" then the value is inherited from bustracestartingcycle parameter.

## 4.6 Platform Integrator

Platform Integrator is a part of the Processor Generator tool. Platform Integrator supports automated integration of TTA cores to different FPGA platforms. The main use case for platform integrator is to create IP-components out of TTAs for SoC designs for vendor-specific system level design flows. In addition, standalone processor integration to FPGA chips is supported. Platform Integrator is invoked with switches to the *generateprocessor* command.

Platform Integrator specific command line parameters are the following:

Short Name	Long Name	Description
a	absolute-paths	Use absolute paths in generated platform integrator files. By default integrator uses relative paths.
c	clock-frequency	Defines the target clock frequency. If not given integrator specific default value will be used.
d	dmem	Data memory type. Available types depends on the platform integrator. Types are 'vhdl_array', 'onchip', 'sram', 'dram' and 'none'. <b>Required.</b>
e	entity-name	Name of the toplevel entity of the TTA core. Platform integrator creates a toplevel entity called <i>entity-name_toplevel</i> . <b>Required.</b>

f	imem	Instruction memory type. Available types depends on the platform integrator. Types are 'vhdl_array', 'onchip', 'sram' and 'dram'. <b>Required.</b>
w	imem-width	Defines instruction memory width. This value overrides the instruction width from BEM.
g	integrator	Selects the platform integrator. <b>Required.</b>
n	list-integrators	List available integrators and information about them.
p	program	Name of tpef program. <b>Required.</b>

Here is an example how to use platform integrator:

```
generateprocessor -i arch.idf -o proge-output -g Stratix2DSP -d onchip -f vhdl_array
-e FFTmuncher -p fft_app.tpef arch.adf
```

This command would try to integrate processor arch.adf to Stratix2DSP FPGA board using vhdl rom array for instruction memory and FPGA's onchip memory for data memory. HDL files created by Platform Integrator be stored to directory proge-output/platform and project files etc. are written to current working directory.

## 4.7 Supported Platforms

This section introduces the Platform Integrators which are shipped with OA.

### 4.7.1 Altera based devices

Notice that OA does not contain the vendor specific IP components such as on-chip memory components. In order to simulate and synthesize the hardware you need to have Altera Quartus II software and libraries installed.

#### 4.7.1.1 Stratix2DSP

Stratix2DSP integrator is targeted to integrate TTA core onto a Stratix II DSP Pro board with EP2S180F1020C3 FPGA device. By default, integrator maps the processor clock signal (clk) to FPGA pin AM17 which provides 100 MHz clock signal from an oscillator. Reset signal (rstx), which is active low, is mapped to FPGA pin AG18 which is connected SW8/CPU RESET pushbutton on the FPGA board. Pin AG18 will be connected to ground when this button is pressed down thus resetting the processor.

Interfacing to FPGA board components can be done by using function units stored in stratixII.hdb. External ports of these function units will be automatically mapped to FPGA pins. It is also vital that the load store unit of the processor is selected from this HDB, otherwise integrator will fail to create the memory component mappings. Unidentified external ports will be connected to the new toplevel entity but they are not mapped to any FPGA pin by default. In this case, the integrator will give a warning message: "Warning: didn't find mapping for signal name <signal>".

Stratix2DSP integrator will also generate project files for Altera Quartus II software. These files will be written to the current working directory and they are named as <entity\_name>.qpf and <entity\_name>.qsf. Project files contain device settings, pin mappings and lists design HDL files. The integrator also creates a *quartus\_synthesize.sh* shell script which will execute the synthesis process and *quartus\_program\_fpga.sh* which can be used to program the FPGA after successful synthesis.

Available instruction memory types are:

Mem Type	Description
----------	-------------

---



onchip	Instruction memory is reserved from FPGAs internal memory blocks and the memory contents will be automatically instantiated during FPGA programming. Designer must ensure that instruction memory contents will fit on the FPGA. Otherwise synthesis process will fail.
vhdl_array	Instruction memory is written as a vhdl ROM array and it is synthesized into the design. Increased synthesis time can be expected when this memory type is used. Updating instruction memory requires resynthesis.

Available data memory types are:

Mem Type	Description
none	Indicates that the processor doesn't have a load store unit or that the integrator shouldn't try to make memory connections.
onchip	Data memory is reserved from FPGA's internal memory blocks. Memory contents will be initialized during FPGA programming. When this option is used, load store unit implementation must be selected as <code>fu_lsu_with_bytemask_always_3</code> which is stored in <code>stratixII.hdb</code> .
sram	SRAM chip on the FPGA board will be used as data memory. Load store unit implementation must be selected as <code>fu_lsu_sram_static</code> which is stored in <code>stratixII.hdb</code> . Notice that data memory will be uninitialized when this option is used.

#### Usage examples:

1. There's a processor with onchip memory compatible LSU and instruction memory will also use onchip memory. Let the name of the new toplevel entity be `example1`. Command to execute Stratix2DSP integrator is

```
generateprocessor -i proc.idf -o proge-out -g Stratix2DSP -d onchip -f onchip
-e example1 -p program.tpef proc.adf
```

2. Same case as before, but now we want to specify target clock frequency of 150 MHz. Quartus II will then try to reach the specified clock frequency in synthesis process. Command is

```
generateprocessor -i proc.idf -o proge-out -c 150 -g Stratix2DSP -d onchip -f
onchip -e example1 -p program.tpef proc.adf
```

Notice that the clock signal will still be connected to a 100 MHz clock oscillator. You'll have to provide the 150 MHz clock signal yourself. This can be done for example by instantiating and connecting a PLL component in `proge-out/platform/example1.vhdl` file, which is the new toplevel HDL file.

3. There's a processor with SRAM compatible LSU and instruction memory will be implemented as VHDL array. In addition we wish to use absolute paths in project files. Command is then

```
generateprocessor -i proc.idf -o proge-out -a -g Stratix2DSP -d sram -f vhdl_array
-e example1 -p program.tpef proc.adf
```

#### 4.7.1.2 Stratix3DevKit

Stratix3DevKit integrates a TTA core onto the Stratix III FPGA Development Kit board from Altera with an EP3SL150F1152C2 FPGA device. Default clock signal is routed to 125 MHz oscillator connected to pin B16. Active low reset is connected to CPU RESET button on pin AP5.

Board specific function units are stored in `stratixIII.hdb`. For successful integration, you must select the Load Store Unit from this HDB. This integrator will create project files for Altera Quartus II software in the same manner as Stratix2DSP integrator (see subsection 4.7.1.1).

Available instruction memory types are:

Mem Type	Description
onchip	Instruction memory is reserved from FPGAs internal memory blocks and the memory contents will be automatically instantiated during FPGA programming. Designer must ensure that instruction memory contents will fit on the FPGA. Otherwise synthesis process will fail.
vhdl_array	Instruction memory is written as a vhdl ROM array and it is synthesized into the design. Increased synthesis time can be expected when this memory type is used. Updating instruction memory requires resynthesis.

Available data memory types are:

Mem Type	Description
none	Indicates that the processor doesn't have a load store unit or that the integrator shouldn't try to make memory connections.
onchip	Data memory is reserved from FPGA's internal memory blocks. Memory contents will be initialized during FPGA programming. When this option is used, load store unit implementation must be selected as <code>fu_onchip_ram_lsu_with_bytemask</code> (FU entry ID 1) which is stored in <code>stratixIII.hdb</code> .

#### 4.7.1.3 AvalonIntegrator

AvalonIntegrator can be used to create an Altera SOPC Builder component from TTA processor which includes a function unit that implements Avalon Memory Mapped Master interface.

Function units which implement the Avalon Memory Mapped Master interface are stored in `avalon.hdb`. There are two ways of interfacing with the Avalon bus:

1. **The load-store unit implements the Avalon MM Master interface.** The load store unit implementation must be mapped to `avalon_lsu` which is stored in `avalon.hdb`. In this method the data memory is selected in SOPC Builder and thus the data memory type parameter must be set to 'none' when integrator is executed. Due to the lack of memory mapper in the current OA version, the data memory address space must be set to start from 0 in SOPC Builder. Also the size of data memory should match the data memory address space size defined in ADF. It is also possible to include Avalon SFU (see the next bullet) to a processor which has an Avalon LSU but the same data memory restrictions still apply.
2. **A special function unit implements the Avalon MM Master interface.** In this case a special function unit (SFU) is used to interface with Avalon and custom operation macros must be used to communicate with other Avalon components. This SFU is called `avalon_sfu` and it's stored in `avalon.hdb`. It is also possible to include multiple Avalon SFUs to the processor but currently there is no method to differentiate which SFU is used from C code.

In both cases the instruction memory of TTA is not visible to nor accessible via Avalon. Instruction memory options are the same for Avalon Integrator as for Stratix2DSP Integrator. See section 4.7.1.1 for more information.

Supported data memory configurations are:

Mem Type	Description
none	This option indicates that data memory type will be selected in SOPC Builder and data memory is accessed through Avalon. LSU implementation must be mapped to <code>avalon_lsu</code> which is stored in <code>avalon.hdb</code> .
onchip	Data memory will be reserved from FPGA's internal memory blocks and the data memory is not visible to Avalon. LSU implementation must be mapped to <code>fu_lsu_with_bytemask_always_3</code> which is stored in <code>stratixII.hdb</code> (despite the name, the LSU implementation is quite generic for Altera onchip memories).

Avalon Integrator creates a SOPC Builder component file `<entity_name>_hw.tcl` to current working directory. This file can be used to import the TTA processor to the SOPC Builder component library. It can be done by either editing the IP search path from SOPC Builder's options or adding a new component using the created tcl-file.

If the processor has other function units with external ports, these external ports are connected to the interface of the new toplevel entity. These ports are then added to a conduit interface in the SOPC Builder component file which means that they will also be exported out of the SOPC Builder design.

#### Usage examples:

1. A TTA with an Avalon LSU. Because of this, the data memory type must be set to 'none'. Instruction memory is reserved from onchip memory in this case. Let the name of the new toplevel entity be `tta_socp`. The command to execute Avalon Integrator is

```
generateprocessor -i proc.idf -o proge-out -a -g AvalonIntegrator -d none -f
onchip -e tta_socp -p program.tpef proc.adf
```

The integrator will generate file `tta_socp_hw.tcl` which can be used to import the component to SOPC Builder.

2. A TTA with an Avalon SFU, the instruction memory is implemented as VHDL array and data memory is reserved from the FPGA's internal memory. Let the name of the new toplevel entity be `tta_socp`. Command is

```
generateprocessor -i proc.idf -o proge-out -a -g AvalonIntegrator -d onchip
-f vhdl_array -e tta_socp -p program.tpef proc.adf
```

Integrator will generate file `tta_socp_hw.tcl` which can be used to import the component to SOPC Builder. Avalon SFU must be used with custom operation macros from C code. These macros are named as `_TCE_AVALON_<memory_operation>`. For example `_OA_AVALON_STW(addr, data)` performs 32-bit store operation to address `addr`.

3. A TTA with an Avalon LSU and an Avalon SFU. Because Avalon LSU is used, data memory type must be set to 'none'. Instruction memory is reserved from the onchip memory in this case. Let the name of the new toplevel entity be `dual_avalon_tta_socp`. Command is

```
generateprocessor -i proc.idf -o proge-out -a -g AvalonIntegrator -d none -f
onchip -e dual_avalon_tta_socp -p program.tpef proc.adf
```

The integrator will generate file `dual_avalon_tta_socp_hw.tcl` which can be used to import the component to SOPC Builder. Component will now have 2 Avalon Memory Mapped Master interfaces.

#### 4.7.1.4 KoskiIntegrator

Koski Integrator can be used to create a Koski/Kactus2 toolset compatible IP blocks from TTA processors. The integrated TTA must have an function unit that interfaces with HiBi bus to be compatible with this integrator. Currently this integrator only works with Altera FPGA devices.

HiBi compatible load store unit can be found from `hibi_adapter.hdb`. Currently it is the only function unit shipped with OA which implements the HiBi interface. This means that the only option for data memory

type is 'onchip'. In addition, the onchip memory is generated as a dual port ram which means that the FPGA device must have support for dual port onchip memories.

Instruction memory options are the same as for Stratix2DSP integrator. See section 4.7.1.1 for more information.

Koski Integrator will generate an IP-XACT (version 1.2) description file of the integrated component. File is written to the current working directory and it is named as `spirit_comp_def_<entity_name>.xml`. This file is used to import the created TTA IP-component to Koski tools.

**Usage example:**

There's a processor with HiBi LSU and instruction memory is implemented using FPGA's internal memory and toplevel entity will be named as 'koski\_tta'. Command is then:

```
generateprocessor -i proc.idf -o proge-out -a -g KoskiIntegrator -d onchip -f onchip
-e koski_tta -p program.tpef proc.adf
```

Integrator creates IP-XACT file 'spirit\_comp\_def\_koski\_tta.xml' to current working directory.

## 4.7.2 AlmaIFIntegrator

AlmaIF Integrator can be used to create an AlmaIF-compatible processor wrapper for a TTA processor. AlmaIF is a simple control interface that can be used for control and debug access to devices in a system-on-a-chip. Due to the constraints placed by the specification, the TTA processor must have data and parameter memory spaces. The integrator recognizes these by the address space names, which should be set to 'data' and 'param' respectively. These memory spaces and instruction memory can be accessed through the AXI4 interface presented by the processor wrapper. Both data and parameter memory spaces must have 32-bit data width; instruction memory does not have this constraint. All other memory spaces are mapped as scratchpad memory, inaccessible from the AXI bus.

The LSU compatible with this integrator can be found in `almaif.hdb`. Currently it is the only function unit shipped with OA which implements this interface. This means that the only option for data and instruction memory type is 'onchip'. The memories will be synthesized as Xilinx-compatible single port block RAM.

Because the control interface for AlmaIF is implemented through the external debugger interface, this must be enabled from the Implementation-dialog's IC / Decoder Plugin tab by setting the debugger plugin parameter as 'external'.

**Usage example:**

There's a processor with AlmaIF LSU and external debugger interface, and the toplevel entity will be named 'almaif\_tta'. Command is

```
generateprocessor -i proc.idf -o proge-out -a -g AlmaIFIntegrator -d onchip -f onchip
-e almaif_tta -p program.tpef proc.adf
```

## 4.8 Hardware Database Editor (HDB Editor)

HDB Editor (`hdbeditor`) is a graphical frontend for creating and modifying Hardware Databases i.e. HDB files (see Section 2.2.3 for details). By default, all the example HDB files are stored in the directory `hdb/` of the OA installation directory.

### 4.8.1 Usage

This section is intended to familiarize the reader to basic usage of the HDB Editor.

HDB editor can be launched from command line by entering:

```
hdbeditor
```

You can also give a .hdb-file as parameter for the `hdbeditor`:

```
hdbeditor customHardware.hdb
```

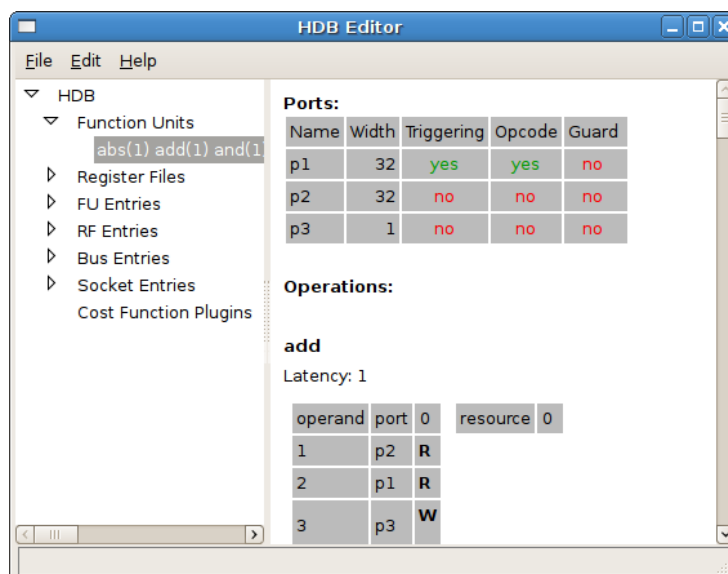


Figure 4.8: HDB Editor Main window.

#### 4.8.1.1 Creating a new HDB file

Choose “File” | “Create HDB...”. From there, type a name for your .hdb file and save it in the default HDB path (tce/hdb).

After that, you can start adding new TTA components such as function units, register files, buses and sockets from “Edit” | “Add”.

#### 4.8.1.2 Adding new components

A new function unit’s architecture can only be added through an existing ADF file unlike register files, which can only be added by hand. The ADF files can be done in the ProDe tool. After adding a new architecture, one can add an implementation for it by right-clicking on it and choosing “Add implementation”

The architecture implementation can be given either by hand or by a VHDL file.

After setting up the architecture, one can add new entries (function units, register files, buses, sockets) for the architectures.

#### 4.8.1.3 Adding FU/RF HDL source files

HDL files of Function Unit and Register File implementations must be added in right compilation order i.e. the source file which needs to be compiled first is first in the list and so on.

#### 4.8.1.4 Using SRAM based Register File Implementations

Register files of TTA machines may be implemented using synchronous SRAM memory blocks. To support SRAM memory based register files the requirements are:

1. SRAM memory blocks have fixed latency of one for read operation.
2. SRAM memory blocks can handle as many writes and reads in a single clock cycle as specified in the ADF.
3. OA’s Default IC / Decoder Plugin is used to generate the decoder of the processor.

4. SRAM bypasses write data to reading port if the accesses occurs at same cycle and at same address. Alternatively, the SRAM is wrapped in a module with the bypass logic.

To enable SRAM based register files in the implementation OA must be notified if a implementation of RF requires separate address cycle. This is done in HDBEditor by setting option “Separate address cycle” to true in the Register File Implementation dialog. This option adjusts the timing of read accesses to be a cycle earlier. The option is effective only if default IC / Decoder Plugin (see: 4.5.1) is used to generate the machine since it does necessary modification to the instruction pipeline to tweak timings.

HDB includes a single SRAM register file implementation using dual-port block RAM inferred by Xilinx XST synthesis tool.

## 4.9 Hardware Database Tester

HDB tester is an utility program which tests that a function unit or register file implementation in HDB is equal to its simulation model. Tester can be used to test one or all implementations from HDB.

HDB tester uses simulation behaviour models to create reference output values from input stimulus. Then it creates an RTL testbench with the unit under test and compares the output to the reference. HDB tester requires an RTL simulator to be installed. Currently 'ghdl' and 'modelsim' are supported.

### 4.9.1 Usage

HDB tester executable is called *testhdb* and it is used as follows:

```
testhdb <options> hdb-file
```

HDB tester accepts following command line options:

Short Name	Long Name	Description
f	fuid	Entry id of FU component to be tested. If this is or RF ID are not defined whole HDB will be tested.
d	leave-dirty	Don't delete created files
r	rfid	Entry id of RF component to be tested. If this is or FU ID are not defined whole HDB will be tested.
s	simulator	HDL simulator used to simulate testbench. Accepted values are 'ghdl' and 'modelsim'. Default is ghdl. Simulator executable must be found from PATH.
v	verbose	Enable verbose output. Prints all executed commands.

Example: test all FU and RF implementations in HDB:

```
testhdb asic_130nm_1.5V.hdb
```

Example: test FU implementation id 1 from HDB, keep testbench files and print commands:

```
testhdb -d -v -f 1 asic_130nm_1.5V.hdb
```

Example: test RF implementation id 125 from HDB and use modelsim as RTL simulator:

```
testhdb -r 125 -s modelsim asic_130nm_1.5V.hdb
```

If 'verbose' option is not defined HDB tester won't output anything when test passes.

### 4.9.2 Test conditions

Function units is **not** tested if it meets one of these conditions:

1. Function unit does not have an architecture in HDB
2. Function unit does not have an implementation in HDB

3. Function unit accesses memory
4. Function unit is not pipelined
5. Function unit has external ports
6. Function unit has only one port

Register file is **not** tested if it meets one of these conditions:

1. register file does not have an architecture in HDB
2. Register file does not have an implementation in HDB
3. Register file does not have a read port
4. Register file does not have a write port
5. Register file has bidirectional port(s)
6. Register file does not have latency of 1 cycle

## 4.10 Processor unit tester

Processor unit tester validates that the function units and register files of a processor are equal to their simulation models. The basic operation of processor unit tester is similar to the HDB tester (section 4.9).

### 4.10.1 Usage

Processor unit tester is invoked as follows:

```
ttauunittester <options> idf-file
```

Accepted command line options are:

Short Name	Long Name	Description
a	adf	If ADF file is given IDF will be validated
d	leave-dirty	Don't delete created files
s	simulator	HDL simulator used to simulate testbench. Accepted values are 'ghdl' and 'modelsim'. Default is ghdl. Simulator executable must be found from PATH.
v	verbose	Enable verbose output. Prints all executed commands.

Example: Test units defined in idf:

```
ttauunittester arch.idf
```

Example: Test units defined in idf and validate idf against adf:

```
ttauunittester -a arch.adf arch.idf
```

Example: Test units defined in idf, enable verbose output, don't delete created files and use modelsim:

```
ttauunittester -v -d -s modelsim arch.idf
```

## 4.11 Function Unit Interface

Function unit interfaces follow a certain de facto standard in OA. Here is an example of a such interface:

```

entity fu_add_sub_eq_gt_always_1 is
  generic (
    dataw : integer := 32;
    busw  : integer := 32);
  port (
    -- trigger port / operand2 input port
    t1data  : in std_logic_vector (dataw-1 downto 0);
    t1opcode : in std_logic_vector (1 downto 0);
    t1load  : in std_logic;
    -- operand1 input port
    oldata  : in std_logic_vector (dataw-1 downto 0);
    olload  : in std_logic;
    -- result output port
    r1data  : out std_logic_vector (busw-1 downto 0);
    -- control signals
    glock   : in std_logic;
    rstx    : in std_logic;
    clk     : in std_logic);
end fu_add_sub_eq_gt_always_1;

```

As you can see the actual implementation interface has more inputs/outputs than the architecture model of a FU. Architecture input ports are called `oldata` and `t1data` and the output port is called `r1data`. In addition there are load ports, operation code port and some control signals.

It is good practice to use (integer) generics for the port widths in the data I/O ports. This makes the managing of Hardware Database (HDB) easier because you can use the name of the generic to define port width formulas instead of using magic numbers. Whether the value of a generic is constant or parametrizable depends on how you define it in the HDB. In the example entity declaration we have used two different generics, data width (`dataw`) and bus width (`busw`). The input data ports depend on the `dataw` and the output port is defined using `busw`. You can also use only one generic but with 2 generics you can define different widths for input and output data if needed.

The names you set for the ports in VHDL code is up to you. When you define an FU implementation in HDB you'll have to do port mapping where you map the VHDL implementation names to the HDB counterparts. I strongly recommend to use a consistent naming convention to avoid confusion. HDBEditor prefills the common control signal dialog fields with the defacto standard names. If you use your own naming style for the ports I still recommend to use the standard names for control signals which are used in the example above (`glock` = Global Lock, `rstx` = reset (x stands for active low), `clk` = clock).

The input ports have also load ports. The load signal is active high when the input value of an input port is valid and should be read (most probably to a register inside the FU). If the input port is also a trigger port the operation should be initiated.

If the FU has multiple operations there is also an operation code port in the interface. Opcode port is usually bound to the trigger port because operations have at least one input. And if you wish to initiate an operation with one input operand, the operand has to be written to the trigger port. Operation codes also have to be declared in HDB.

FUs can also have ports connecting to the external of the TTA processor core. They are declared like any other ports in the entity declaration but these ports must be defined as external in HDB.

See the OA Tour-tutorial (Section 3.1) for an example how to add an FU implementation to hdb.

### 4.11.1 Operation code order

If there are multiple operations in a Function Unit the operation codes should be numbered according to their alphabetical order. E.g. if there is an ALU with following operations: 'Add', 'Sub', 'And', 'Xor' and 'Not' the operation codes should be ordered as following:



Operation name	Operation code
Add	0
And	1
Not	2
Sub	3
Xor	4

HDBEditor and Processor Generator will issue a warning message if this guideline is not used in operation code numbering. Currently other numbering conventions can still be used but the support might be dropped in future versions of OA. In order to ensure compatibility it is recommended that you use this new convention.

## 4.11.2 Summary of interface ports

### 4.11.2.1 Input/Output operand ports

VHDL-type: `std_logic_vector`

OA naming convention is to use `t1data` for the triggering input port and `o1data`, `o2data` ... etc. for the rest of input operands. Output port is usually called `r1data`.

Use generics when you define widths for these ports.

#### 4.11.2.2 Input load ports

VHDL-type: `std_logic`

The load ports are named after the input operand ports. For example load port of `t1data` is `t1load` and `o1data` is `o1load`.

#### 4.11.2.3 Operation code port

VHDL-type: `std_logic_vector`

Operation code port is usually called `t1opcode` and it is bound to the trigger port.

#### 4.11.2.4 Control signals

VHDL-type: `std_logic`

There are four control signals available in FUs:

`clk` is the most obvious, it is the clock signal

`rstx` is active low reset (x stands for active low)

`glock` is a Global Lock signal. For example if the global control unit (GCU) issues global lock the ongoing operation should freeze and wait for the global lock signal to become inactive before resuming execution.

`glock_r` is global lock request. Rarely used in normal function units. It can be used to request global lock state, for example, in case the result does not arrive in the time set by the static latency of the operation.

A common example using this signal is a load-store unit of which memory latency is sometimes larger than the static latency informed to the compiler due to dynamic behavior of the memory system. In that case, a global lock is requested after the static number of cycles has passed and the data has not arrived to the load-store-unit from the memory system.

## 4.11.3 Reserved keywords in generics

Currently there is only one reserved keyword in generic definitions and it is `addrw`. This keyword is used in load-store units to define trigger port's width according to the data address space width. Processor Generator identifies this keyword and defines the port width from the data address space assigned to the LSU in the ADF.

## Chapter 5

# CODE GENERATION TOOLS

### 5.1 OpenASIP Compiler

**OpenASIP compiler collection** compiles high level language (such as C/C++) source files provided by the toolset user and produces a bitcode program or an ASIP-specific program. Bitcode program is a non-architecture specific sequential program. An ASIP program, however, is a architecture specific program that is optimized for the target architecture.

The main idea between these two program formats is that you can compile your source code into bitcode and then compile the bitcode into architecture dependent parallel code. This way you do not have to compile the source code again every time you make changes in the architecture. Instead you only need to compile the bitcode into parallel code.

**Input:** program source file(s) in high-level language

**Output:** a fully linked ASIP program

#### 5.1.1 Usage of OpenASIP compiler

The usage of the *oacc* application is as follows:

```
oacc <options> source-or-bc-file1 source-or-bc-file2 ...
```

The possible options of the application are the following:

Short Name	Long Name	Description
a	adf-file	Architectures for which the program is scheduled after the compilation. This switch can be used once for each target architecture. Note: there must be 'schedule' installed.
s	scheduler-config	Configure file for scheduling command.
O	optimization-level	Optimization level. 0=no optimizations, 1=preserve program API, 2=do not respect original API, 3 = same that 2
k	keep-symbols	List of symbols whose optimization away is prevented. If you are using this, remember to define at least the 'main' symbol.
o	output-name	File name of the output binary.
d	leave-dirty	Does not delete files from each compilation phase.
c	compile-only	Compiles only. Does not link or optimize.
v	verbose	Prints out commands and outputs for each phase.
h	help	Prints out help info about program usage and parameters.
D	preprocessor-define	Preprocessor definition to be passed to gcc.
I	include-directory	Include directory to be passed to gcc.

## OPENASIP

L	library-directory	Passed to gcc.
l	library-link	Passed to gcc.
W	warning	Ignored.
-	scheduler-binary	Scheduler binary to use instead of 'schedule' in path.
-	extra-llc-flags	Options passed to llc.
-	plugin-cache-dir	Directory for cached llvm target plugins.
-	no-plugin-cache	Do not cache generated llvm target plugins.
-	rebuild-plugin	Rebuild plugin in the cache
-	clear-plugin-cache	Clear plugin cache completely.

### 5.1.1.1 Examples of usage

Usage of oacc quite alike to gcc, excluding that warning options are ignored.

If you wish to compile your source code into optimized bitcode the usage is:

```
oacc -O2 -o myProg myProg.c
```

On the other hand if you already have an architecture definition file of the target processor you can compile the source code directly to parallel program:

```
oacc -O2 -a myProcessor.adf -o myProg.tpef myProg.c
```

To compile the bitcode program into parallel program use:

```
oacc -a myProcessor.adf -o myProg.tpef myProg.bc
```

Or if you want to a different scheduling configuration than the default:

```
oacc -s /path/to/mySchedulerConfiguration.conf -a myProcessor.adf -o myProg.tpef  
myProg.bc
```

oacc also has a “leave dirty” flag `-d` which preserves the intermediate files created by the compiler. After compilation is complete oacc will tell you where to find these files (usually it is `/tmp/oacc-xxxxxx/`). For example if you try to compile your C-code straight into a scheduled program and something goes wrong in scheduling you can find the bitcode program from the temp directory.

```
oacc -d -O2 -a myProcessor.adf -o myProg.tpef myProg.c
```

After compilation you should see this kind of message:

```
Intermediate files left in build dir /tmp/oacc-xxxxxx
```

where `xxxxxx` is a random pattern of characters.

If you only want to compile the source code without linking (and optimization) use `-c` flag. Output file is named after the source file with `.o` appendix if you do not define an output name with `-o`.

```
oacc -c myProg.c  
oacc -c -o /another/path/myProg.o myProg.c
```

With oacc you can explicitly define symbols you wish to preserve in the binary. This can be useful in debugging and profiling if the compiler removes needed function labels. Symbols are given in a comma separated list.

```
oacc -O2 -a myMach.adf -k main,foo,bar -o myProg.tpef myProg.c
```

## Plugins

### 5.1.2 Custom operations

Oacc compiler automatically defines macros for operations found from operation definition files in OSAL search paths and includes them when compiling your program.

Big endian	Little endian
ldq	ld8
ldqu	ldu8
ldh	ld16
ldhu	ldu16
ldw	ld32
stq	st8
sth	st16
stw	st32

Table 5.2: The required memory operations in the selected endianness modes.

The macros use the following format:

```
_TCE_<opName>(input1, ... , inputN, output1, ... , outputN);
```

where <name> is the operation name defined in OSAL. Number of input and output operands depends on the operation.

There are also versions of the custom operation macros which can be used to explicitly target an function unit (FU).

Usage of the “explicit-FU“ macros is as follows:

```
_TCEFU_<opName>(<fuName>, input1, ... , inputN, output1, ... , outputN);
```

where <fuName> is the name of the target function unit in ProDe.

There are also versions of the custom operation macros which can be used to target specific address space for operations that use memory. These may be need to be used for custom memory operations on architectures with multiple memory address spaces, as the address space information of a pointer may be lost with the ordinary custom operation call.

```
_TCEAS_<opName>("#<as-numerical-id>", input1, ... , inputN, output1, ... , outputN);
```

or

```
_TCEAS_<opName>("<as-name>", input1, ... , inputN, output1, ... , outputN);
```

where <as-numerical-id> is the numerical id of the target address space, and <as-name> is the name of the target address space. This name is NOT necessarily the same as the keyword in C code, this is the name visible in ProDE. Numerical id 0 is always where the stack is located.

Examples of usage:

```
_TCE_MAC(a, b, c);
_TCEFU_MAC("MAC1", a, b, c);
_TCEAS_LDW("#1", a, b)
_TCEAS_LDW("my_huge_global_addressspace", a, b)
```

### 5.1.3 Endianness Mode

Endianness mode property of the target architecture determines how the initialized data is layout into the data memories and operation selections for accessing the memories by the compiler. In the table 5.2 is list of memory operations required by the compiler in the selected endianness mode.

The endianness mode is selected in ProDe’s *Architecture Features...* dialog (Edit -> Architecture Features...).

### 5.1.4 Known issues

1. Currently it is not possible to simulate a bitcode format program. But the advantage of bitcode simulation is quite non-existent because the bitcode does not even contain the final basic blocks that the architecture dependent program has.

## 5.2 Binary Encoding Map Generator (BEMGenerator)

Binary Encoding Map Generator (**BEMGenerator**) creates a file that describes how to encode TTA instructions for a given target processor into bit patterns that make up the executable bit image of the program (before compression, if used).

**Input:** ADF

**Output:** BEM

### 5.2.1 Usage

The usage of BEMgenerator is the following:

```
createbem -o outName.bem myProcessor.adf
```

## 5.3 Parallel Assembler and Disassembler

**TCE Assembler** compiles parallel TTA assembly programs to a TPEF binary. The **Disassembler** provides a textual disassembly of parallel TTA programs. Both tools can be executed only from the command line.

**Assembler Input:** program source file in the TTA parallel assembler language and an ADF

**Output:** parallel TPEF

**Disassembler Input:** parallel TPEF

**Output:** textual disassembly of the program

Rest of this section describes the textual appearance of TTA programs, that is, how a TTA program should be disassembled. The same textual format is accepted and assembled into a TTA program.

### 5.3.1 Usage of Disassembler

The usage of the *tcedisasm* application is as follows:

```
tcedisasm <options> adffile tpeffile
```

The *adffile* is the ADF file.

The *tpeffile* is the parallel TPEF file.

The possible options of the application are as follows:

Short Name	Long Name	Description
o	outputfile	The name of the output file.
h	help	Prints out help info about program usage and parameters.

The application disassembles given parallel TPEF file according to given ADF file. Program output is directed to standard output stream if specific output file is not specified. The output is TTA parallel assembler language.

The program output can then be used as an input for the assembler program `tceasm`.

The options can be given either using the short name or long name. If short name is used, a hyphen (-) prefix must be used. For example `-o` followed by the name of the output file. If the long name is used, a double hyphen (- -) prefix must be used, respectively.

### 5.3.1.1 An example of the usage

The following example generates a disassemble of a parallel TPEF in the file `add4_schedule.tpef` and writes the output to a file named `output_dis.asm`.

```
tcedisasm -o output_dis.asm add4_supported.adf add4_schedule.tpef
```

## 5.3.2 Usage of Assembler

The usage of the `tceasm` application is as follows:

```
tceasm <options> adffile assemblerfile
```

The *adffile* is the ADF file.

The *assemblerfile* is the program source file in TTA parallel assembler language.

The possible options of the application are as follows:

Short Name	Long Name	Description
<code>o</code>	<code>outputfile</code>	The name of the output file.
<code>q</code>	<code>quiet</code>	Do Not print warnings.
<code>h</code>	<code>help</code>	Help info about program usage and parameters.

The application creates a TPEF binary file from given assembler file. Program output is written to a file specified by `outputfile` parameter. If parameter is not given, the name of the output file will be the base name of the given assembler file concatenated with `.tpef`.

The options can be given either using the short name or long name. If short name is used, a hyphen (-) prefix must be used. For example `-o` followed by the name of the output file. If the long name is used, a double hyphen (- -) prefix must be used, respectively.

### 5.3.2.1 An example of the usage

The following example generates a TPEF binary file named `program.tpef`.

```
tceasm add4_schedule.adf program.asm
```

## 5.3.3 Memory Areas

A TTA assembly file consists of several memory areas. Each area specifies the contents (instructions or data) of part of an independently addressed memory (or address space). There are two kinds of memory areas: *code* areas and *data* areas. Code areas begin a section of the file that defines TTA instructions. Data areas begin a section that define groups of memory locations (each group is collectively termed “memory chunk” in this context) and reserve them to variables. By declaring data labels (see Section 5.3.7), variables can be referred to using a name instead of their address.

Memory areas are introduced by a header, which defines the type of area and its properties. The header is followed by several logical lines (described in Section 5.3.4), each declaring a TTA instruction or a memory chunk. The end of an area in the assembly file is not marked. Simply, a memory area terminates when the header of another memory area or the end of the assembly file is encountered.

The memory area header has one of the following formats:

## OPENASIP

```
CODE [<start>] ;  
DATA <name> [<start>] ;
```

A code area begins the declaration of TTA instructions that occupy a segment of the instruction memory. A data area begins the declaration of memory chunks reserved to data structures and variables.

A TTA program can work with several independently addressed data memories. The locations of different memories belong to different address spaces. The *name* parameter defines the address space a memory area belongs to. The code area declaration does not have a name parameter, because TTA programs support only one address space for instruction memory, so its name is redundant.

The *start* parameter defines the starting address of the area being declared within its address space. The start address can and usually is omitted. When omitted, the assembler will compute the start address and arrange different memory area declarations that refer to the same address space. The way the start address is computed is left to the assembler, which must follow only two rules:

1. If a memory area declaration for a given address space appears before another declaration for the same address space, it is assigned a lower address.
2. The start address of a memory area declaration is *at least* equal to the size of the previous area declared in the same address space plus its start address.

The second rule guarantees that the assembler reserves enough memory for an area to contain all the (chunk or instruction) declarations in it.

### 5.3.4 General Line Format

The body of memory areas consists of *logical lines*. Each line can span one or more physical lines of the text. Conversely, multiple logical lines can appear in a single physical lines. All logical lines are terminated by a semicolon ‘;’.

The format of logical lines is free. Any number of whitespace characters (tabs, blanks and newlines) can appear between any two tokens in a line. Whitespace is ignored and is only useful to improve readability. See Section 5.3.14 for suggestions about formatting style and use of whitespaces.

Comments start with a hash character (‘#’) and end at the end of the physical line. Comments are ignored by the syntax. A line that contains only a comment (and possibly whitespaces before the hash character) is completely removed before interpreting the program.

### 5.3.5 Allowed characters

Names (labels, procedures, function units etc.) used in assembly code must obey the following format:

```
[a-zA-Z_] [a-zA-z0-9_]*
```

Basically this means is that a name must begin with a letter from range a-z or A-Z or with an underscore. After the first character numbers can also be used.

Upper case and lower case letters are treated as different characters. For example labels **main:** and **Main:** are both unique.

### 5.3.6 Literals

Literals are expressions that represent constant values. There are two classes of literals: numeric literals and strings.

**Numeric literals.** A numeric literal is a numeral in a positional system. The base of the system (or radix) can be decimal, hexadecimal or binary. Hexadecimal numbers are prefixed with ‘0x’, binary numbers are prefixed with ‘0b’. Numbers in base 10 do not have a prefix. Floating-point numbers can only have decimal base.

*Example: Numeric literals.*

```
0x56F05A
7116083
0b11011001001010100110011
17.759
308e+55
```

The first three literals are interpreted as integer numbers expressed in base, respectively, 16, 10 and 2. An all-digit literal string starting with ‘0’ digit is interpreted as a decimal number, not as an octal number, as is customary in many high level languages.<sup>1</sup> The last two literals are interpreted as floating point numbers. Unlike integer literals, floating-point literals can appear only in initialisation sequences of data declarations (see Section 5.3.8 for details).

**String literals.** A string literal consists of a string of characters. The the numeric values stored in the memory chunk initialised by a string literal depend on the character encoding of the host machine. The use of string literals makes the assembly program less portable.

Literals are defined as sequences of characters enclosed in double (") or single (') quotes. A literal can be split into multiple quoted strings of characters. All strings are concatenated to form a single sequence of characters.

Double quotes can be used to escape single quotes and vice versa. To escape a string that contains both, the declaration must be split into multiple strings.

*Example: String literals.* The following literals all declare the same string Can't open file "%1" .

```
"Can't open file" '%1'"
'Can' "' "' 't open file "%1"'
"Can't open" ' file "%1'"
```

String literals can appear only in initialisation sequences of data declarations (see Section 5.3.8 for details).

**Size, encoding and layout of string literals.** By default, the size (number of MAU's) of the value defined by a string literal is equal to the number of characters. If one MAU is wider than the character encoding, then the value stored in the MAU is padded with zeroes. The position of the padding bits depends on the byte-order of the target architecture: most significant if “big endian”, least significant if “little endian”.

If one character does not fit in a single MAU, then each character is encoded in  $\lceil m/n \rceil$  MAU's, where  $n$  is the MAU's bit width and  $m$  is the number of bits taken by a character.

When necessary (for example, to avoid wasting bits), it is possible to specify how many characters are packed in one MAU or, vice versa, how many MAU's are taken to encode one character. The size specifier for characters is prefixed to a quoted string and consists of a number followed by a semicolon.

If  $n > m$ , the prefixed number specifies the number of characters packed in a single MAU. For example, if one MAU is 32 bits long and a character takes 8 bits, then the size specifier in

```
4:"My string"
```

means: pack 4 characters in one MAU. The size specifier cannot be greater than  $\lceil n/m \rceil$ . The size ‘1’ is equivalent to the default.

<sup>1</sup>This notation for octal literals has been deprecated.



If  $m > n$ , the prefixed number specifies the number of adjacent MAU's used to encode one character. For example, if MAU's are 8-bit long and one character takes 16 bits, then the same size specifier means: reserve 4 MAU's to encode a single character. In this case, a 16-bit character is encoded in 32 bits, and padding occurs as described above. The size of the specifier in this case cannot be smaller than  $\lceil n/m \rceil$ , which is the default value when the size is not specified explicitly.

### 5.3.7 Labels

A label is a name that can be used in lieu of a memory address. Labels “decorate” data or instruction addresses and can be used to refer to, respectively, the address of a data structure or an instruction. The address space of a label does not need to be specified explicitly, because it is implied by the memory area declaration block the label belongs to.

A label declaration consists of a name string followed by a colon:

```
<label-name>:
```

Only a restricted set of characters can appear in label names. See Section 5.3.5 for details.

A label must always appear at the beginning of a logical line and must be followed by a normal line declaration (see Sections 5.3.8, 5.3.9 for details). Only whitespace or another label can precede a label. Label declarations always refer to the address of the following memory location, which is the start location of the element (data chunk or a TTA instruction) specified by the line.

Labels can be used instead of the address literal they represent in data definitions and instruction definitions. They are referred to simply by their name (without the colon), as in the following examples:

```
# label reference inside a code area (as immediate)
aLabel -> r5 ;

# label reference inside a data area (as initialisation value)
DA 4 aLabel ;
```

### 5.3.8 Data Line

A data line consists of a directive that reserves a chunk of memory (expressed as an integer number of minimum addressable units) for a data structure used by the TTA program:

```
DA <size> [<init-chunk-1> <init-chunk-2> ...] ;
```

The keyword ‘DA’ (Data Area) introduces the declaration of a memory chunk. The parameter *size* gives the size of the memory chunk in MAU's of the address space of the memory area.

Memory chunks, by default, are initialised with zeroes. The memory chunk can also be initialised explicitly. In this case, *size* is followed by a number of literals (described in Section 5.3.6) or labels (Section 5.3.7) that represent initialisation values. An initialisation value represents a constant integer number and takes always an integer number of MAU's.

**Size of the initialisation values.** The size of an initialisation value can be given by prepending the size (in MAU's) followed by a semicolon to the initialisation value. If not defined explicitly, the size of the initialisation values is computed by means of a number of rules. If the declaration contains only one initialisation value, then the numeric value is extended to *size*, otherwise, the rules are more complex and depend on the type of initialisation value.

1. If the initialisation value is a numeric literal expressed in base 10, then it is extended to *size* MAU's.
2. If the initialisation value is a numeric literal expressed in base 2 or 16, then its size is extended to the minimum number of MAU's necessary to represent all its digits, even if the most significant digits are zeroes.
3. If the initialisation value is a label, then it is extended to *size* MAU's.

**Extension sign.** Decimal literals are sign-extended. Binary, hexadecimal and string literal values are zero-extended. Also the initialisation values represented by labels are always zero-extended.

**Partial Initialisation.** If the combined size of the initialisation values (computed or specified explicitly, it does not matter) is smaller than the size declared by the ‘DA’ directive, then the remaining MAU’s are initialised with zeroes.

*Example: Padding of single initialisation elements.* Given an 8-bit MAU, the following declarations:

```
DA 2 0xBB ; # equivalent to 2:0xBB
DA 2 0b110001 ; # 0x31 (padded with 2 zero bits)
DA 2 -13 ;
```

define 2-MAU initialisation values: 0x00BB, 0x0031, and 0xFFFF3, respectively.

*Example: Padding of of multi-element initialisation lists.* The following declarations:

```
DA 4 0x00A8 0x11;
DA 4 0b0000000010100100 0x11 ;
```

are equivalent and force the size of the first initialisation value in each list to 16 bits (2 MAU’s) even if the integer expressed by the declarations take less bits. The 4-MAU memory chunk is initialised, in both declarations, with the number 0x00A81100. Another way to force the number of MAU’s taken by each initialisation value is to specify it explicitly. The following declarations are equivalent to the declarations above:

```
DA 4 2:0xA8 0x11;
DA 4 2:0b10100100 0x11;
```

Finally, the following declarations:

```
DA 2 1:0xA8 0x11;
DA 2 1:0b10100100 0x11;
```

define a memory chunk initialised with 0xA8110000. The initialisation value (in case of the binary literal, after padding to MAU bit width) defines only the first MAU.

When labels appear in initialisation sequences consisting of multiple elements, the size of the label address stored must be specified explicitly.

*Example. Initialisation with Labels.* The following declaration initialises a 6-MAU data structure where the first 2 MAU’s contain characters ‘A’ and ‘C’, respectively, and the following 4 MAU’s contain two addresses. The addresses, in this target architecture, take 2 MAU’s.

```
DA 6 0x41 0x43 2:nextPointer 2:prevPointer ;
```

### 5.3.9 Code Line

A code line defines a TTA instruction and consists of a comma-separated, fixed sequence of bus slots. A bus slot in any given cycle can either program a data transport or encode part of a long immediate and program the action of writing it to a destination (immediate) register for later use.<sup>2</sup>

A special case of code line that defines an empty TTA instruction. This line contains only three dots separated by one or more white spaces:

```
. . . ; # completely empty TTA instruction
```

<sup>2</sup>The action of actually writing the long immediate to a destination register is encoded in a dedicated instruction field, and is not repeated in each move slot that encodes part of the long immediate. This detail is irrelevant from the point of view of program specification. Although the syntax is slightly redundant, because it repeats the destination register in every slot that encodes a piece of a long immediate, it is chosen because it is simple and avoids any chance of ambiguity.

A special case of move slot is the empty move slot. An empty move slot does not program any data transport nor encodes bits of a long immediate. A special token, consisting of three dots represents an empty move slot. Thus, for a three-bus TTA processor, the following code line represents an empty instruction:

```
... , ... , ... ; # completely empty TTA instruction
```

### 5.3.10 Long Immediate Chunk

When a move slot encodes part of a long immediate, its declaration is surrounded by square brackets and has the following format:

```
<destination>=<value>
```

where *destination* is a valid register specifier and *value* is a literal or a label that gives the value of the immediate. The only valid register specifiers are those that represent a register that belongs to an immediate unit. See section 5.3.12 for details on register specifiers.

When the bits of a long immediate occupy more than one move slot, the format of the immediate declaration is slightly more complex. In this case, the value of the immediate (whether literal or label) is declared in one and only one of the slots (it does not matter which one). The other slots contain only the destination register specifier.

### 5.3.11 Data Transport

A data transport consists of one optional part (a guard expression) and two mandatory parts (a source and a destination). All three can contain an port or register specifier, described in Section 5.3.12.

The guard expression consists of a single-character that represents the invert flag followed by a source register specifier. The invert flag is expressed as follows:

1. Single-character token '!': the result of the guard expression evaluates to false if the least significant bit of source value is one, and evaluates to true if the least significant bit is zero.
2. Single-character token '?': the result of the guard expression evaluates to false if the least significant bit of the source value is zero, and evaluates to true if the least significant bit is one.

The move source specifier can be either a register and port specifier or an in-line immediate. Register and port specifiers can be GPR's, FU output ports, long immediate registers, bridge registers. The format of all these is specified in Section 5.3.12. The in-line immediate represents an integer constant and can be defined as a literal or as a label. In the latter case, the in-line immediate can be followed by an equal sign and a literal corresponding to the value of the label. The value of the labels is more likely to be shown as a result of disassembling an existing program than in user input code, since users can demand data allocation and address resolution to the assembler.

*Example: Label with value.* The following move copies the label 'LAB', which represents the address 0x051F0, to a GPR:

```
LAB=0x051F0 -> r.4
```

The move destination consists of a register and port specifier of two types: either GPR's or FU input ports.

### 5.3.12 Register Port Specifier

Any register or port of a TTA processor that can appear as a move or guard source, or as a move destination is identified and referred to by means of a string. There are different types of register port specifiers:

1. General-purpose register.
2. Function unit port.
3. Immediate register.
4. Bridge register.

GPR's are specified with a string of the following format:

```
<reg-file>[.<port>].<index>
```

where *reg-file* is the name of the register file,

*port*, which can be omitted, is the name of the port through which the register is accessed, and *index* is the address of the register within its register file.

Function unit input and output ports are specified with a string of the following format:

```
<function-unit>.<port>.[<operation>]
```

where *function-unit* is the name of the function unit, *port* is the name of the port through which the register is accessed, and *operation*, which is required only for opcode-setting ports, identifies the operation performed as a side effect of the transport. It is not an error to specify *operation* also for ports that do not set the opcode. Although it does not represent any real information encoded in the TTA program, this could improve the readability of the program.

Immediate registers are specified with a string if the following format:

```
<imm-unit>[.<port>].<index>
```

where *imm-unit* is the name of the immediate unit, *port*, which can be omitted, is the name of the port through which the register is accessed, and *index* is the address of the register within its unit.

Since any bus can be connected to at most two busses through bridges, it is not necessary to specify bridge registers explicitly. Instead, the string that identifies a bridge register can only take one of two values: '{prev}' or '{next}'. These strings identify the bus whose value in previous cycle is stored in the register itself. A bus is identified by '{prev}' if it is programmed by a bus slot that precedes the bus slot that reads the bridge register. Conversely, if the bus is identified by '{next}', then it is programmed by a bus slot that follows the bus slots that reads the bridge register. In either case, the source bus slot must be adjacent to the bus slot that contains the moves that reads the bridge register.

*Example: possible register and port specifiers.*

IA.0	immediate unit 'IA', register with index 0
RFA.5	register file 'RFA', register with index 5
U.s.add	port 's' of function unit 'U', opcode for operation 'add'
{prev}	bridge register that contains the value on the bus programmed by the previous bus slot in previous cycle

**Alternative syntax of function unit sources and destinations.** Most clients, especially user interfaces, may find direct references to function unit ports inconvenient. For this reason, an alternative syntax is supported for input and output ports of function units:

```
<function-unit>.<operation>.<index>
```

where *function-unit* is the name of the function unit, *operation* identifies the operation performed as a side effect of the transport and *index* is a number in the range  $[1, n]$ , where  $n$  is the total number of inputs and outputs of the operation. The operation input and output, indirectly, identifies also the FU input or output and the port accessed. Contrary to the base syntax, which requires the operation name only for opcode-setting ports, this alternative syntax makes the operation name not optional. The main advantage of this syntax is that it makes the code easier to read, because it removes the need to know what is the operation

input or output bound to a port, because. The main drawback is an amount of (harmless) “fuzziness” and inconsistency, because it forces the user to define an operation for ports that do not set the opcode, even in cases where the operand is shared between two different operations. For example, suppose that the operand ‘1’ of operations ‘add’ and ‘mul’ is bound to a port that does not set the opcode and its value is shared between an ‘add’ and a ‘mul’:

```
r1 -> U1.add.1, r2 -> U1.add.2;
U1.add.3 -> r3, r4 -> U1.mul.2;
U1.mul.3 -> r5
```

it looks as if the shared move belonged only to ‘add’. One could have also written, correctly but less clearly:

```
r1 -> U1.mul.1, r2 -> U1.add.2;
# same code follows
```

or even, assuming that operation ‘sub’ is also supported by the same unit and its operand ‘1’ is bound to the same port:

```
r1 -> U1.sub.1, r2 -> U1.add.2;
# same code follows
```

This alternative syntax is the only one permitted for TTA moves where operations are not assigned to a function unit of the target machine.

### 5.3.13 Assembler Command Directives

Command directives do not specify any code or data, but change the way the assembler treats (part of) the code or data declared in the assembly program. A command directive is introduced by a colon followed by the name string that identifies it, and must appear at the beginning of a new logical line (possibly with whitespace before).

The assembler recognises the following directives.

**procedure** The ‘:procedure’ directive defines the starting point of a new procedure. This directive is followed by one mandatory parameter: the name of the procedure. Procedure directives should appear only in code areas. The procedure directive defines also, implicitly, the end of procedure declared by the previous ‘:procedure’ directive. If the first code section of the assembly program contains any code before a procedure directive, the code is assumed to be part of a nameless procedure. Code in following code areas that precede any procedure directive is considered part of the last procedure declared in one of the previous code areas.

*Example: declaration of a procedure.*

```
CODE ;
:procedure Foo ;
Foo:
  r5 -> r6 , ... ;
  . . . ;
  ... , r7 -> add.1 ;
```

In this example, a procedure called ‘Foo’ is declared and a code label with the same name is declared at the procedure start point. The code label could be given any name, or could be placed elsewhere in the same procedure. In this case, the code label ‘Foo’ marks the first instruction of procedure ‘Foo’.

**global** The ‘:global’ directive declares that a given label is globally visible, that is, it could be linked and resolved with external code. This directive is followed by one mandatory parameter: the name of the label. The label must be defined in the same assembly file. The label may belong to the data or the code section, indifferently.

**extern** The `:extern` directive declares that a given label is globally visible and must be resolved an external definition. This directive is followed by one mandatory parameter: the name of the label. The label must not be defined in the assembly file.

There can be only one label with any given name that is declared global or external.

*Example: declaration of undefined and defined global labels.*

```
DATA dmem 0x540;
aVar:
    DA 4 ;
:global aVar ;
:extern budVar ;
```

In this example, ‘aVar’ is declared to have global linkage scope (that is, it may be used to resolve references from other object files, once the assembly is assembled). Also ‘budVar’ is declared to have global linkage, but in this case the program does not define a data or code label with that name anywhere, and the symbol must be resolved with a definition in an external file.

### 5.3.14 Assembly Format Style

This section describes a number of nonbinding guidelines that add to the assembly syntax specification and are meant to improve programs’ readability.

**Whitespaces.** Although the format of the assembly is completely free-form, tabs, whitespaces and new lines can be used to improve the assembly layout and the readability. The following rules are suggested:

1. Separate the following tokens with at least one whitespace character:
  - (a) Label declaration ‘*name:*’ and first move or ‘DA’ directive.
  - (b) Moves of an instruction and commas.
  - (c) Move source and destination and the ‘->’ or ‘<-’ token.
2. Do not separate the following tokens with whitespaces:
  - (a) Long immediate chunk declaration and the surrounding brackets.
  - (b) Label and, literal and the ‘=’ token in between.
  - (c) Any part of a register specifier (unit, port, operation, index) and the ‘.’ separator token.
  - (d) Register specifier, label or literal and the ‘=’ in between.
  - (e) Invert flag mark (‘!’ or ‘?’) and the register specifier of a guard expression.
  - (f) Initialisation chunk, the number of MAU’s it takes and the ‘:’ token in between.
  - (g) Colon ‘:’ and the nearby label or directive name.

**End of Line.** The length of physical lines accepted is only limited by client implementation. Lines up to 1024 characters must be supported by any implementation that complies with these specifications. However, it is a good rule, to improve readability, that physical line should not exceed the usual line length of 80 or 120 characters. If a TTA instruction or a data declaration does not fit in the standard length, the logical line should be split into multiple physical lines. The physical lines following the first piece of a logical line can be indented at the same column or more to the right. In case of data declarations, the line is split between two literals that form an initialisation data sequence. In case of TTA instructions, logical lines should never be split after a token of type ‘X’ if it is recommended that no whitespace should follow ‘X’ tokens. To improve readability, TTA instructions should be split only past the comma that separates two move slots:

## OPENASIP

```
# good line breaking
r2 -> U.sub.1 , [i1=var] , r3 -> U.sub.2 , i1 -> L.ld.1 , [i1] ,
0 -> U.eq.2 ;

# bad line breaking
r2 -> U.sub.1 , [i1=var] , r3 -> U.sub.2 , i1 -> L.ld.1 , [i1] , 0 ->
U.eq.2 ;

# really bad line breaking
r2 -> U.sub.1 , [i1=var] , r3 -> U.sub.2 , i1 -> L.ld.1 , [i1] , 0 -> U.
eq.2 ;
```

**Tabulation.** The following rules can be taken as starting point for a rather orderly layout of the assembly text, which resembles the layout of traditional assembly languages:

1. The first  $n$  characters of the assembly lines are reserved to labels. Instruction or data declarations are always indented by  $n$  characters.
2. Labels appear in the same physical line of the instruction or data declaration they refer to. Labels are no more than  $n - 2$  characters long.

This layout is particularly clean when the TTA instructions contain few bus slots and when multiple labels for the same data chunk or instruction do not occur.

*Example: Assembly layout style best suited target architectures with few busses.*

```
DATA DMEM
var:      DA 4;

CODE
lab_A:    spr -> U.add.1 , 55 -> U.add.2 , spr -> r12 ;
          [i0=0x7F] , U.add.3 -> spr , i0 -> r2 ;
loop_1:   r2 -> U.sub.1 , r3 -> U.sub.2 , var -> L.ld.1 ;
          r2 -> U.eq.1 , U.sub.3 -> r2 , 0 -> U.eq.2 ;
          ?U.eq.3 loop_1 -> C.jump.1 , L.ld.2 -> U.and.2 ;
          0x1F -> U.and.1 , ... , ... ;
          ... , U.and.3 -> r8 , ... ;
```

An alternative layout of the assembly text is the following:

1. Instruction and data declarations are always indented by  $n$  characters.
2. Each label declaration appears in a separate physical line of the instruction or data declaration they refer to, and starts from column 0.

This layout could be preferable when the TTA instructions contain so many bus slots that the logical line is usually split into multiple physical lines, because it separates more clearly the code before and after a label (which usually marks also a basic block entry point). In addition, this layout looks better when an instruction or data declaration has multiple labels and when the label name is long.

*Example: Assembly layout style best suited targets with many busses.*

```
DATA DMEM
var:      DA 4;

CODE
a_long_label_name:
    spr -> U.add.1 , 55 -> U.add.2 , spr -> r12 , [i0=0x7F], i0 -> r2,
```

```

    ... ;
    ... , U.add.3 -> spr , ... , ... , ... , ... ;
loop_1:
    r2 -> U.sub.1 , [i1=var] , r3 -> U.sub.2 , i1 -> L.ld.1 , [i1] ,
    0 -> U.eq.2 ;
    r2 -> U.eq.1 , U.sub.3 -> r2 , ... , ?U.eq.3 loop_1 -> C.jump.1 ,
    0x1F -> U.and.1 , ... ;
    L.ld.2 -> U.and.2 , ... , ... , ... , ... , ... ;
    ... , ... , ... , U.and.3 -> r8 , ... , ... ;

```

This example of assembly code is exactly equivalent to the code of previous example, except that the address of ‘var’ data chunk (a 4-MAU word) is encoded in a long immediate and takes 2 move slots.

**Layout of Memory Area Declarations.** It is preferable to subdivide the contents of memories into several memory area declarations and to group near each other area declarations of different address spaces that are related to each other. This underlines the relation between data and code. The alternative, a single area for each address space, mixes together all data and all procedures of a program.

**Mixing Alternative Syntaxes.** It is preferable to not mix alternative styles or even syntaxes, although any client that works with the assembly language is expected to deal with syntax variants.

### 5.3.15 Error Conditions

This section describes all the possible logical errors that can occur while assembling a TTA program.

**Address Width Overflow in Initialisation.** A label is used as initialisation value of a data declaration, and the label address computed by the assembler exceeds the number of MAU’s in the data declaration that must be initialised.

**Address Width Overflow in Long Immediate.** A label is used as initialisation value of a long immediate declaration, and the label address computed by the assembler exceeds total width of the move slots that encode the immediate, when concatenated together.

**Address Width Overflow in In-line Immediate.** A label is used as initialisation value of an in-line immediate, and the label address computed by the assembler exceeds width of source field that encodes the immediate.

**Unspecified Long Immediate Value.** A long immediate is defined, but none of the move slots that encode its bits defines the immediate value.

**Multiple Defined Long Immediate Value.** More than one of the move slots that contain the bits of a long immediate defines the immediate value.<sup>3</sup>

**Overlapping Memory Areas.** The start address specified in the header of two memory area declarations is such that, once computed the sizes of each memory area, there is an overlapping.

**Multiple Global Symbols with Same Name.** A ‘:global’ directive declares a symbol with given name as globally visible, but multiple labels with given name are declared in the program.

<sup>3</sup>If the values are identical in every move slot, then the client could issue a warning rather than a critical error.



**Unknown Command Directive.** A command directive has been found that is not one of the directives supported by the assembler.

**Misplaced Procedure Directive.** A `‘:procedure’` directive appears inside a data area declaration block.

**Procedure Directive Past End of Code.** A `‘:procedure’` directive appears after the last code line in the program.

**Label Past End of Area.** A label has been declared immediately before an area header or at the end of the assembly program. Labels must be followed by a code line or a data line.

**Character Size Specifier too Big.** A size specified for the characters of a string literal is greater than the maximum number of characters that can fit in one MAU.

**Character Size Specifier too Small.** A size specified for the characters of a string literal is smaller than the minimum number of MAU's necessary to encode one character.

**Illegal Characters in Quoted String.** A quoted string cannot contain non-printable characters (that is, characters that cannot be printed in the host encoding) and end-of-line characters.

### 5.3.16 Warning Conditions

This section describes all conditions of target architecture or assembly syntax for which the client should issue an optional warning to prepare users for potential errors or problematic conditions.

**Equally Named Register File and Function Unit.** A register file and a function unit of the target architecture have the same name. This is one of the conditions for the activation of the disambiguation rule.

**Port with the Name of an Operation.** A register file or a function unit port are identified by a string name that is also a name of a valid operation supported by the target architecture. The first condition (port of register file) is more serious, because it may require triggering a disambiguation rule. The second condition (FU port) is not ambiguous, but is confusing and ugly. The second condition may be more or less severe depending, respectively, whether the operation with the same name is supported by the same FU or by another FU.

**Code without Procedure.** The first code area of the program begins with code lines before the first `‘:procedure’` directive. A nameless procedure with local visibility is automatically created by the assembler.

**Procedure Spanning Multiple Code Areas.** A code area contains code line before the first `‘:procedure’` directive, but it is not the first code area declared in the code. The code at the beginning of the area is attached to the procedure declared by the last `‘:procedure’` directive.

**Empty Quoted String.** Empty quoted strings are ignored.

### 5.3.17 Disambiguation Rules

Certain syntactic structures may be assigned different and (in principle) equally valid interpretations. In these cases, a disambiguation rule assigns priority to one of the two interpretation. Grammatically ambiguous assembly code should be avoided. Clients that operate on TTA assembly syntax should issue a warning whenever a disambiguation rule is employed.

**Disambiguation of GPR and FU terms.** When a GPR term includes also the RF port specifier, it can be interpreted also as a function unit input or output.

Normally, the names of units, ports and operation rule out one of the two interpretations. Ambiguity can only occur only if:

1. The target architecture contains a RF and an FU with identical name.
2. One of the RF ports has a name identical to one of the operations supported by the FU that has the same name of the RF.

Ambiguity is resolved in favour of the GPR interpretation. No condition applies to the indices (register index or operation input or output index). The first interpretation is chosen even when it results in a semantic error (an index out of range) whereas the other interpretation would be valid.

*Example. Disambiguation rule.* The following move is interpreted as a move that writes the constant 55 to the register with index 2 of register file 'xx' through port 'yy'. If there exists an FU called 'xx' that supports an operation 'yy' which has an input with index 2, this interpretation of the move is never possible.

```
55 -> xx.yy.2
```

Even if the disambiguation rule is not triggered, clients should warn when the target architecture satisfies one of the conditions above (or a similar condition). See Section 5.3.16 for a description of this and other conditions for which a warning should be issued.

**Disambiguation of variables and operation terms.** In unscheduled code, operation terms cannot be confused with variables. The special RF names 'r', 'f' and 'b' are reserved, respectively, to integer, floating-point and Boolean register files of the universal machine. The assembler does not allow any operation to have one of these names.

*Example. Unambiguous move term accessing a variable.* The following move is interpreted as "copy constant 55 to variable with index 2 of variable pool 'r'". There cannot exist an operation 'r', so the interpretation of the move destination as operation term is impossible.

```
55 -> r.2
```

**Disambiguation of Register File and Immediate Unit names** Assembler syntax does not differentiate unit names of immediate units from unit names of register files. The same register specifier of a move source

```
x.2 -> alu.add.1
```

can represents a GPR or an immediate register depending on whether 'x' is an RF or a IU.

In this case the GPR interpretation is always preferred over the IU interpretation. However using the same naming for IUs and GPRs restricts severely the programmability of target machine and is not encouraged.

## 5.4 Program Image Generator (PIG)

Program Image Generator (PIG) generates the bit image which can be uploaded to the target machine's memory for execution. Compression can be applied to the instruction memory image by means of instruction compression algorithm plugins.

**Input:** TPEF, BEM, ADF

**Output:** program bit image in alternative formats

### 5.4.1 Usage

The usage of the *generatebits* application is as follows:

```
generatebits <options> ADF
```

The possible options of the application are as follows:

Short Name	Long Name	Description
b	bem	The binary encoding map file.
c	compressor	Name of the code compressor plugin file.
u	compressorparam	Parameter to the code compressor in form 'name=value'.
d	dataimages	Creates data images.
g	decompressor	Generates a decompressor block.
o	diformat	The output format of data image(s) ('ascii', 'array', 'mif', 'hex', 'bin2n' or 'binary'). Default is 'ascii'.
w	dmemwidthinmaus	Width of data memory in MAUs. Default is 1.
x	hdl-dir	Directory root where are the ProGe generated HDL files generated by ProGe. If given, PIG will write imem_mau_pkg and compressor in that directory. Otherwise they are written to cwd.
f	piformat	Determines the output format of the program image and data images. Value may be 'ascii', 'binary', 'hex', 'bin2n' or 'mif'.
s	showcompressors	Shows the compressor plugin descriptions.
p	program	The TPEF program file(s).
v	verbose	Display extra information during image creation: total immediates, different immediate values, instr. addresses, data addresses, full instruction NOPs and consecutive full instr. NOP groups.

The application prints the program image to the standard output stream. It can be easily forwarded to a file, if wanted. The data images are generated to separate files, one for each address space. Names of the files are determined by the name of the address space and the suffix is *.img*. The files are generated to the directory in which the application is executed.

The binary encoding map input parameter may be omitted. If so, the BEM to be used is generated automatically. The BEM is used in the intermediate format of the program image, before it is compressed by the code compressor plugin. However, if no code compression is applied, the program image output matches the format defined in the BEM.

The options can be given either using the short name or long name. If short name is used, a hyphen (-) prefix must be used. For example -a followed by the name of the ADF file. If the long name is used, a double hyphen (- -) prefix must be used, respectively.

#### 5.4.1.1 An example of the usage

The following example generates a program image and data images of the address spaces in ASCII format without code compression.

```
generatebits -b encodings.bem -p program.tpef -f ascii -d machine.adf
```

### 5.4.2 Dictionary Compressor

TCE toolset includes two different code compressors: 'InstructionDictionary' compressor and 'MoveS-lotDictionary' compressor. It is also possible to create new code compressors.

How these compressors work is that they analyze program's instruction memory and create a compressed instruction memory image. In order to use the compressed image the compressor also creates a decompressor module which replaces the default decompressor in the instruction decoder unit of a processor.

You can list the available compressor and their descriptions with

```
generatebits -s processor.adf
```

#### 5.4.2.1 Instruction Dictionary compressor

Instruction dictionary compressor analyzes a program and creates a look up table of all the unique instructions. Compressed instruction image then consists of indices to the created look up table. Decompressor module includes the look up table and it outputs the uncompressed instruction defined by the input index.

Here is an example how to use the instruction dictionary compressor:

```
generatebits -c InstructionDictionary.so -g -p program.tpef processor.adf
```

Command creates the compressed instruction memory image 'program.img' and 'imem\_mau\_pkg.vhdl' using InstructionDictionary.so plugin defined with the -c parameter. As the command also has -g parameter compressor creates the 'decompressor.vhdl' file which defines the decompressor unit.

You can also give the existing prog-output directory (in this case processor\_files) to generatebits:

```
generatebits -c InstructionDictionary.so -g -p program.tpef -x processor_files processor.adf
```

Now PIG will automatically write the 'imem\_mau\_pkg.vhdl' and 'decompressor.vhdl' to the right places in processor\_files directory.

#### 5.4.2.2 Move Slot Dictionary compressor

Move slot dictionary compressor analyzes the program and creates a separate look up table for each of the move slots in the processor. Every move slot in the compressed instruction then has an index to its look up table. As with the instruction dictionary compressor the decompressor module holds the look up tables and it decompresses the instruction on move slot basis.

Here is an example how to use the move slot dictionary compressor:

```
generatebits -c MoveSlotDictionary.so -g -p program.tpef processor.adf
```

Like earlier you can also use the prog-output folder parameter:

```
generatebits -c MoveSlotDictionary.so -g -p program.tpef -x processor_file processor.adf
```

#### 5.4.2.3 Defining New Code Compressors

By default, PIG does not apply any code compression to the program image. However, user can create a dynamic code compressor module which is loaded and used by PIG. To define a code compressor, a C++ class derived from *CodeCompressorPlugin* class must be created and compiled to a shared object file. The class is exported as a plugin using a macro defined in *CodeCompressor.hh* file. The *buildcompressor* script can be used to compile the plugin module.

#### 5.4.2.4 Creating the Code Compressor Module

As mentioned, the code compressor class must be derived from *CodeCompressorPlugin* base class. The code compressor class must implement the virtual *compress()* method of the *CodeCompressorPlugin* class. An example of a simple dictionary compressor is defined in *compressors/simple\_dictionary.cc* file in the source code distribution.

**Compress Method** The compress method is the heart of the compressor. The compressor method returns the complete program image as a bit vector. The task of the method is to call the *addInstruction* method of the base class sequentially to add the instructions to the program image. The base class does the rest of the job. You just have to provide the bits of each instruction in the parameter of *addInstruction*

calls. Finally, when all the instructions are added, the program image can be returned by calling the *programBits* method of the base class.

The instruction bits are provided as *InstructionBitVector* instances. That class provides capability to mark which bits of the instruction refer to address of another instruction and thus are likely to be changed when the real address of the referred instruction is known. It is the responsibility of code compressor to mark that kind of bits to the instruction bit vectors given in *addInstruction* calls. The base class will change the bits when the referred instruction is added (when its address is known).

The code compressor should tell the base class which instructions must be placed in the beginning of a MAU block. For example, the jump targets should be in the beginning of MAU. Otherwise instruction fetching will get difficult. This can be done by calling the *setInstructionToStartAtBeginningOfMAU* method of the base class. If all the instructions are meant to start at the beginning of MAU, *setAllInstructionsToStartAtBeginningOfMAU* method is handy. By default, all the instructions are concatenated without any pad bits in between them, whatever the MAU of the instruction memory is. Note that *setInstructionToStartAtBeginningOfMAU* / *setAllInstructionsToStartAtBeginningOfMAU* method(s) must be called before starting to add instructions with *addInstruction* method.

**Helper Methods Provided by the Base Class** The *CodeCompressorPlugin* base class provides some handy methods that might be useful for the code compressor implementation. The following lists the most important ones:

- *program()*: Returns the POM of the program.
- *tpefProgram()*: Returns the TPEF of the program.
- *binaryEncoding()*: Returns the BEM used to encode the instructions.
- *machine()*: Returns the machine.
- *bemBits()*: Returns the program image encoded with the rules of BEM.
- *bemInstructionBits()*: Returns the bits of the given instruction encoded with the rules of BEM.

#### 5.4.2.5 Building the Shared Object

When the code compressor module is coded, it must be compiled to a shared object. It can be done with the *buildcompressor* script. The script takes the name of the object file to be created and the source file(s) as command line parameters. The output of the script, assuming that everything goes fine, is the dynamic module that can be given to the *generatebits* application.

## 5.5 TPEF Dumper (dumtpef)

**TPEF Dumper** is a program used for displaying information from the given TPEF.

**Input:** TPEF

**Output:** dumped data from TPEF (printed to the standard output)

### 5.5.1 Usage

The usage of the *dumtpef* application is as follows:

```
dumtpef <options>
```

The possible options of the application are as follows:

<b>Short Name</b>	<b>Long Name</b>	<b>Description</b>
f	file-headers	Prints the file headers.
l	logical	Prints only logical information. Can be used for checking if two files contain the same program and data and connections even if it is in different order.
m	mem	Print information about memory usage of reserved sections.
r	reloc	Prints the relocation tables.
j	section	Prints the elements of section by section index.
s	section-headers	Prints the section headers.
t	syms	Prints the symbol tables.

## Chapter 6

# CO-DESIGN TOOLS

The tools that deal with both the program and the architecture are introduced here.

### 6.1 Architecture Simulation and Debugging

TTA Processor **Simulator** simulates the process of running a TTA program on its target TTA processor. Provides profiling, utilization, and tracing data for Explorer, Estimator and Compiler Backend. Additionally, it offers debugging capabilities.

**Input:** TPEF, [ADF]

**Output:** TraceDB

There are two user interfaces to the simulating and debugging functionalities. One for the command line more suitable for scripting, and another with more user-friendly graphical interface more suitable for program debugging sessions. Both interfaces provide a console which supports the Tcl scripting language.

#### 6.1.1 Processor Simulator CLI (ttasim)

The command line user interface of TTA Simulator is called 'ttasim'. The command line user interface is also visible in the graphical user interface in form of a console window. This manual covers the simulator control language used to control the command line simulator and gives examples of its usage.

##### 6.1.1.1 Usage

The usage of the command line user interface of the simulator is as follows:

```
ttasim <options>
```

In case of a parallel simulation, a machine description file can be given before giving the simulated program file. Neither machine file or the program file are mandatory; they can also be given by means of the simulator control language.

The possible options for the application are as follows:

Short Name	Long Name	Description
a	adf	Sets the architecture definition file (ADF).
d	debugmode	Start simulator in interactive "debugging mode". This is enabled by default. Use <code>--no-debugmode</code> to disable.
e	execute-script	Executes the given string as a simulator control language script. For an examples of usage, see later in this section.
p	program	Sets the program to be simulated. Program must be given as a TTA program exchange format file (.TPEF)
q	quick	Simulates the program as fast as possible using the compiled simulation engine.

**Example: Simulating a Parallel Program Without Entering Interactive Mode** The following command simulates a parallel program until the program ends, without entering the debugging mode after simulation.

```
ttasim --no-debugmode -a machine.adf -p program.tpef
```

**Example: Simulating a Program Until Main Function Without Entering Interactive Mode** The following command simulates a program until its main function and prints consumed clock cycles so far. This is achieved by utilizing the simulator control language and the '-e' option, which allows entering scripts from the command line.

```
ttasim --no-debugmode -e "until main; puts [info proc cycles];" -a machine.adf -p program.tpef
```

**Using the Interactive Debugging Mode** Simulator is started in debugging mode by default. In interactive mode, simulator prints a prompt "(ttasim)" and waits for simulator control language commands. This example uses simulator control language to load a machine and a program, run the simulation, print the consumed clock cycles, and quit simulation.

```
ttasim
(ttasim) mach machine.adf
(ttasim) prog program.tpf
(ttasim) run
(ttasim) info proc cycles
54454
(ttasim) quit
```

## 6.1.2 Fast Compiled Simulation Engine

The command line version of the Simulator, 'ttasim', supports two different simulation engines. The default simulation engine interprets each instruction and then simulates the processor behavior accordingly. While this is good for many cases, it can be relatively slow when compared to the computer it is being simulated on. Therefore, the Simulator also has a highly optimized mode that uses compiled simulation techniques for achieving faster simulation execution. In this simulation, the TTA program and machine are compiled into a single binary plug-in file which contains functions for simulating basic blocks directly in native machine code, allowing as fast execution as possible.

### 6.1.2.1 Usage

**Example: Simulating a Parallel Program Using The Compiled Simulation Engine** The following command simulates a parallel program using the compiled simulation engine. ("-q")

```
ttasim -a machine.adf -p program.tpef -q
```



Currently, the behaviour of the compiled simulation can only be controlled with a limited set of Simulator commands (such as 'stepi', 'run', 'until', 'kill'). Also, the simulation runs only at an accuracy of basic blocks so there is no way to investigate processor components between single cycles.

The following environment variables can be used to control the compiled simulation behavior:

Environment variable	Description	Default value
TTASIM_COMPILER	Specifies the used compiler.	"gcc"
TTASIM_COMPILER_FLAGS	Compile flags given to the compiler.	"-O0"
TTASIM_COMPILER_THREADS	Number of threads used to compile.	"3"

### 6.1.2.2 ccache

<http://ccache.samba.org/>

The compiled simulator can benefit quite a bit from different third party software. The first one we describe here is a compiler cache software called ccache. Ccache works by saving compiled binary files into a cache. When ccache notices that a file about to be compiled is the same as file found in the cache, it simply reloads file from the cache, thus eliminating recompilation of unmodified files and saving time. This can be very useful when running the same simulation program again, due to drastically reduced compilation times.

### 6.1.2.3 distcc

<http://distcc.samba.org/>

Another useful tool to use together with the compiled simulator is a distributed compiler called distcc. Distcc works by distributing the compilation of simulation engine to multiple computers and compiling the generated source files in parallel.

After installing distcc, you can set ttasim to use the distcc compiler using the following environment variable:

```
export TTASIM_COMPILER="distcc"
```

```
export TTASIM_COMPILER="ccache distcc"
```

Also, remember to set the amount of used threads high enough. A good number of threads to use would be approximately the amount of CPU cores available. For example, setting 6 compiler threads can be done like following:

```
export TTASIM_COMPILER_THREADS=6
```

## 6.1.3 Remote Debugger

When a TTA has been implemented to FPGA (or ASIC), ttasim can be used as a remote debug interface to the processor. 'ttasim' can connect to the TCE built-in debugger (under construction) with

```
ttasim -a machine.adf -p program.tpef -r
```

A convenience stub implementation for user-implemented debugging support in the TTA is given in 'tce/src/applibs/Simulator/CustomDBGController.cc'

```
ttasim -a machine.adf -p program.tpef -c
```

Integration with 'proxim' is currently missing.

## 6.1.4 Simulator Control Language

This section describes all the Simulator commands that can be entered when the Simulator runs in debug mode. The Simulator displays a new line with the prompt string only when it is ready to accept new commands (the simulation is not running). The running simulation can be interrupted at any time by the key combination CTRL-c. The simulator stops simulation and prompts the user for new commands as if it had been stopped by a breakpoint.

The Simulator control language is based on the Toolset Control Language. It extends the predefined set of Tcl commands with a set of commands that allow to perform the functions listed above. In addition to predefined commands, all basic properties of Tcl (expression evaluation, parameter substitution rules, operators, loop constructs, functions, and so on) are supported.

### 6.1.4.1 Initialization

When the Simulator is run in debug mode, it automatically reads and executes the initialization command file `.ttasim-init` if found in the user home directory. The `.ttasim-init` file allows user to define specific simulator settings (described in section 6.1.4.2) which are enabled everytime ttasim is executed.

After the initialization command sequence is completed, the Simulator processes the command line options, and then reads the initialization command file with the same name in current working directory.

After it has processed the initialization files and the command line options, the Simulator is ready to accept new commands, and prompts the user for input. The prompt line contains the string `(ttasim)`.

### 6.1.4.2 Simulation Settings

Simulation settings are inspected and modified with the following commands.

**setting *variable value*** Sets a new value of environment variable *variable*.

**setting *variable*** Prints the current value contained by environment variable *variable*.

**setting** Prints all settings and their current values.

Currently, the following settings are supported.

**bus\_trace *boolean*** Enables writing of the bus trace. Bus trace stores values written to each bus in each simulated clock cycle.

**execution\_trace *boolean*** Enables writing of the basic execution trace. Basic execution trace stores the address of the executed instruction in each simulated clock cycle.

**history\_filename *string*** The name of the file to store the command history, if command history saving is enabled.

**history\_save *boolean*** Enables saving command history to a file.

**history\_size *integer*** Maximum count of last commands stored in memory. This does not affect writing of the command history log, all commands are written to the log if logging is enabled.

**next\_instruction\_printing *boolean*** Print the next executed instruction when simulation stops, for example, after single-stepping or at a breakpoint.

**procedure\_transfer\_tracking *boolean*** Enables procedure transfer tracking. This trace can be used to easily observe which procedures were called and in which order. The trace is saved in 'procedure\_transfer' table of Trace DB. This information could be derived from 'execution\_trace', but simulation is very slow when it is enabled, this type of tracking should be faster.

**profile\_data\_saving *boolean*** Save program profile data to trace database after simulation.

**rf\_tracking** *boolean* Enables concurrent register file access tracking. This type of tracking makes the simulation speed much worse, so it is not enabled by default. The produced statistics can be browsed after simulation by using the command 'info proc stats'.

**simulation\_time\_statistics** *boolean* Prints time statistics for the last command ran (run, until, nexti, stepi).

**simulation\_timeout** *integer* Stops the simulation after specified timeout. Value of zero means no timeout.

**static\_compilation** *boolean* Switch between static and dynamic compilation when running compiled simulation.

**utilization\_data\_saving** *boolean* Save processor utilization data to trace database after simulation.

### 6.1.4.3 Control of How the Simulation Runs

The commands described in this section allow to control the simulation process.

Before simulation can start, a program must be loaded into the Simulator. If no program is loaded, the command *run* causes the following message:

```
Simulation not initialized.
```

**run** Starts simulation of the program currently loaded into the Simulator. The program can be loaded by *prog* command (see Section 6.1.4.6) or may be given directly as argument, on the command line. Simulation runs until either a breakpoint is encountered or the program terminates.

**resume** [*count*] Resume simulation of the program until the simulation is finished or a breakpoint is reached. The *count* argument gives the number of times the *continue* command is repeated, that is, the number of times breakpoints should be ignored.

**stepi** [*count*] Advances simulation to the next machine instructions, stepping into the first instruction a new procedure if a function call is simulated. The *count* argument gives the number of machine instruction to simulate.

**nexti** [*count*] Advances simulation to the next machine instructions in current procedure. If the instruction contains a function call, simulation proceeds until control returns from it, to the instruction past the function call. The *count* argument gives the number of machine instruction to simulate.

**until** [*arg*] Continue running until the program location specified by *arg* is reached. Any valid argument that applies to command *break* (see Section 6.1.4.5) is also a valid argument for *until*. If the argument is omitted, the implied program location is the next instruction. In practice, this command is useful when simulation control is inside a loop and the given location is outside it: simulation will continue for as many iterations as required in order to exit the loop (and reach the designated program location).

**kill** Terminate the simulation. The program being simulated remains loaded and the simulation can be restarted from the beginning by means of command *run*. The Simulator will prompt the user for confirmation before terminating the simulation.

**quit** This command is used to terminate simulation and exit the Simulator.

### 6.1.4.4 Examining and modifying Program Code and Data

The Simulator allows to examine and modify the program being simulated and the data it uses

**x** [*anfu*][*addr*] This low-level command prints the data in memory starting at specified addresses *addr*. The optional parameters *n* and *u* specify how much memory to display and how to format it.

- a** Parameter *[/a address\_space]* can be used to select the address space if there are multiple address spaces in the target machine.
- n** Repeat count: how many data words (counting by units *u*) to display. If omitted, it defaults to 1.
- f** Target filename. Setting this causes the memory contents to be printed as binary data to the given file.
- u** Unit size: 'b' (MAU, a byte in byte-addressed memories), 'h' (double MAU), 'w' (quadruple word, a 'word' in byte-addressed 32-bit architectures). The unit size is ignored for formats 's' and 'i'.

If *addr* is omitted, then the first address past the last address displayed by the previous *x* command is implied. If the value of *n* or *u* is not specified, the value given in the most recent *x* command is maintained.

The values printed by command *x* are not entered in the value history (see Section 6.1.4.9).

**load\_data** *[/a address\_space] address\_file [size]* Reads binary data from filename to the specified address in memory. Optional parameter */a address\_space* can be used to select the address space if there are multiple address spaces in the target machine. Optional parameter *size* specifies read size in bytes.

**symbol\_address** *datasym* Returns the address of the given data symbol (usually a global variable).

**disassemble** *[addr1 [addr2]]* Prints a range of memory addresses as machine instructions. When two arguments *addr1*, *addr2* are given, *addr1* specifies the first address of the range to display, and *addr2* specifies the last address (not displayed). If only one argument, *addr1*, is given, then the function that contains *addr1* is disassembled. If no argument is given, the default memory range is the function surrounding the program counter of the selected frame.

#### 6.1.4.5 Control Where and When to Stop Program Simulation

A breakpoint stops the simulation whenever the Simulator reaches a certain point in the program. It is possible to add a condition to a breakpoint, to control when the Simulator must stop with increased precision. There are two kinds of breakpoints: *breakpoints* (proper) and *watchpoints*. A watchpoint is a special breakpoint that stops simulation as soon as the value of an expression changes.

where *num* is a unique number that identifies the breakpoint or watchpoint and *description* describes the properties of the breakpoint. The properties include: whether the breakpoint must be deleted or disabled after it is reached; whether the breakpoint is currently disabled; the program address of the breakpoint, in case of a program breakpoint; the expression that, when modified by the program, causes the Simulator to stop, in case of a watchpoint.

**bp** *address* Sets a breakpoint at address *address*. Argument can also be a code label such as global procedure name (e.g. 'main').

**bp** *args if* Sets a conditional breakpoint. The arguments *args* are the same as for unconditional breakpoints. After entering this command, Simulator prompts for the condition expression. Condition is evaluated each time the breakpoint is reached, and the simulation only when the condition evaluates as true.

**tbp** *args* Sets a temporary breakpoint, which is automatically deleted after the first time it stops the simulation. The arguments *args* are the same as for the *bp* command. Conditional temporary breakpoints are also possible (see command *condition* below).

**watch** Sets a watchpoint for the expression *expr*. The Simulator will stop when the value of given expression is modified by the program. Conditional watchpoints are also possible (see command *condition* below).

**condition** [*num*] [*expr*] Specifies a condition under which breakpoint *num* stops simulation. The Simulator evaluates the expression *expr* whenever the breakpoint is reached, and stops simulation only if the expression evaluates as true (nonzero). The Simulator checks *expr* for syntactic correctness as the expression is entered.

When *condition* is given without expression argument, it removes any condition attached to the breakpoint, which becomes an ordinary unconditional breakpoint.

**ignore** [*num*] [*count*] Sets the number of times the breakpoint *num* must be ignored when reached. A *count* value zero means that the breakpoint will stop simulation next time it is reached.

**enablebp** [**deletelonce**] [*num* ...] Enables the breakpoint specified by *num*. If *once* flag is specified, the breakpoint will be automatically disabled after it is reached once. If *delete* flag is specified, the breakpoint will be automatically deleted after it is reached once.

**disablebp** [*num* ...] Disables the breakpoint specified by *num*. A disabled breakpoint has no effect, but all its options (ignore-counts, conditions and commands) are remembered in case the breakpoint is enabled again.

**deletebp** [*num* ...] Deletes the breakpoint specified by *num*. If no arguments are given, deletes all breakpoints currently set, asking first for confirmation.

**info breakpoints** [*num*] Prints a table of all breakpoints and watchpoints. Each breakpoint is printed in a separate line. The two commands are synonymous.

#### 6.1.4.6 Specifying Files and Directories

The Simulator needs to know the file name of the program to simulate/debug and, usually, the Architecture Definition File (ADF) that describes the architecture of the target processor on which the program is going to run.

**prog** [*filename*] Load the program to be simulated from file *filename*. If no directory is specified with *set directory*, the Simulator will search in the current directory.

If no argument is specified, the Simulator discards any information it has on the program.

**mach** [*filename*] Load the machine to be simulated from file *filename*. If no directory is specified with *set directory*, the Simulator will search in the current directory.

In case a parallel program is tried to be simulated without machine, an error message is printed and simulation is terminated immediately. In some cases the machine file can be stored in the TPEF file.

**conf** [*filename*] Load the processor configuration to be simulated from file *filename*. If no directory is specified with *set directory*, the Simulator will search in the current directory.

Simulator expects to find the simulated machine from the processor configuration file. Other settings are ignored. This can be used as replacement for the *mach* command.

#### 6.1.4.7 Examining State of Target Processor and Simulation

The current contents of any programmer visible state, which includes any programmable register, bus, or the last data word read from or written to a port, can be displayed. The value is displayed in base 10 to allow using it easily in Tcl expressions or conditions. This makes it possible, for example, to set a conditional breakpoint which stops simulation only if the value of some register is greater than some constant.

**info proc cycles** Displays the total execution cycle count and the total stall cycles count.

**info proc mapping** Displays the address spaces and the address ranges occupied by the program: address space, start and end address occupied, size.

**info proc stats** In case of parallel simulation, displays current processor utilization statistics. In case 'rf\_tracking' setting is enabled and running parallel simulation, also lists the detailed register file access information.

**info regfiles** Prints the name of all the register files of the target processor.

**info registers regfile [regname]** Prints the value of register *regname* in register file *regfile*, where *regfile* is the name of a register file of the target processor, and *regname* is the name of a register that belongs to the specified register file.

If *regname* is omitted, the value of all registers of the specified register file is displayed.

**info funits** Prints the name of all function units of the target processor.

**info iunits** Prints the name of all immediate units of the target processor.

**info immediates iunit [regname]** Prints the value of immediate register *regname* in immediate unit *iunit*, where *iunit* is the name of an immediate unit of the target processor, and *regname* is the name of a register that belongs to the specified unit.

If *regname* is omitted, the value of all registers of the specified immediate unit is displayed.

**info ports unit [portname]** Prints the last data word read from or written to port *portname* of unit *unit*, where *unit* may be any function unit, register file or immediate unit of the target processor. The value of the data word is relative to the selected stack frame.

If *portname* is omitted, the last value on every port of the specified unit is displayed.

**info busses [busname]** Displays the name of all bus segments of transport bus *busname*. If the argument is omitted, displays the name of the segments of all busses of the target processor.

**info segments bus [segmentname]** ] Prints the value currently transported by bus segment *segmentname* of the transport bus *busname*.

If no segment name is given, the Simulator displays the contents of all segments of transport bus *bus*.

**info program** Displays information about the status of the program: whether it is loaded or running, why it stopped.

**info program is\_instruction\_reference ins\_addr move\_index** Returns 1 if the source of the given move refers to an instruction address, 0 otherwise.

**info stats executed\_operations** Prints the total count of executed operations.

**info stats register\_reads** Prints the total count of register reads.

**info stats register\_writes** Prints the total count of register writes.

#### 6.1.4.8 Miscellaneous Support Commands and Features

The following commands are facilities for finer control on the behaviour of the simulation control language.

**help [command]** ] Prints a help message briefly describing command *command*. If no argument is given, prints a general help message and a listing of supported commands.

### 6.1.4.9 Command and Value History Logs

All commands given during a simulation/debugging session are saved in a *command history log*. This forms a complete log of the session, and can be stored or reloaded at any moment. By loading and running a complete session log, it is possible to resume the same state in which the session was saved.

It is possible to run a sequence of commands stored in a command file at any time during simulation in debug mode using the *source* command. The lines in a command file are executed sequentially and are not printed as they are executed. An error in any command terminates execution of the command file.

**commands** [*num*] Displays the last *num* commands in the command history log. If the argument is omitted, the *num* value defaults to 10.

**source** *filename* Executes the command file *filename*.

### 6.1.5 Traces

Simulation traces are stored in a SQLite 3 binary file and multiple pure ascii files. The SQLite file is named after the program file by appending '.trace' to its end. The additional trace files append yet another extension to this, such as '.calls' for the call profile and '.profile' for the instruction execution profile. The SQLite file can be browsed by executing SQL queries using the sqlite client and the pure text files can be browsed using any text viewer/editor.

By default simulation traces are dumped in the same directory as loaded program file. It is possible to override that directory by setting an environment variable `TTASIM_TRACE_DIR` pointing to desired location.

#### 6.1.5.1 Profile Data

The simulator is able to produce enough data to provide an inclusive call profile. In order to visualize this data in a call graph, the *kcachegrind* GUI tool can be used.

First, produce a trace by running the following commands before initializing the simulation by loading a machine and a program:

```
setting profile_data_saving 1
setting procedure_transfer_tracking 1
```

It's recommend to produce an assembly file from the program to make the profile data contain information about the program and the *kcachegrind* able to show the assembly lines for the cost data:

```
tcedisasm -F mymachine.adf myprogram.tpef
```

After this, the simulation should collect the information necessary to build a *kcachegrind* compatible trace file. The file can be produced with an helper script shipped with TCE as follows:

```
generate_cachegrind myprogram.tpef.trace
```

This command generates a file *myprogram.tpef.trace.cachegrind* which can be loaded to the *kcachegrind* for visualized inclusive call profile:

```
kcachegrind myprogram.tpef.trace.cachegrind
```

Alternatively, the call profile can be dumped to the command line using the 'callgrind\_annotate' tool from the 'valgrind' package:

```
callgrind_annotate myprogram.tpef.trace.cachegrind --inclusive=yes
```

In case `--inclusive=yes` is not given, exclusive call profile is printed. Exclusive profile shows the cycles for each function itself and does not include the cost from the called functions.

## 6.1.6 Processor Simulator GUI (Proxim)

Processor Simulator GUI (Proxim) is a graphical frontend for the TTA Processor Simulator.

### 6.1.6.1 Usage

This section is intended to familiarize the reader to basic usage of Proxim. This chapter includes instructions to accomplish only the most common tasks to get the user started in using the Simulator GUI.

The following windows are available:

- *Machine State window* Displays the state of the simulated processor.
- *Disassembly window* for displaying machine level source code of the simulated application.
- *Simulator console* for controlling the simulator using the simulator control language.
- *Simulation Control Window*: Floating tool window with shortcut buttons for items in the *Program* menu.

**Console Window** Textual output from the simulator and all commands sent to the simulator engine are displayed in the *Simulator Console* window, as well as the input and output from the simulated program. Using the window, the simulator can be controlled directly with Simulator Control Language accepted also by the command line interface of the simulator. For list of available commands, enter *'help'* in the console.

Most of the commands can be executed using graphical dialogs and menus, but the console allows faster access to simulator functionality for users familiar with the Simulator Control Language. Additionally, all commands performed using the GUI are echoed to the console, and appended to the console command history.

The console keeps track of performed commands in command history. Commands in the command history can be previewed and reused either by selecting the command using up and down arrow keys in the console window, or by selecting the command from the **Command History**.

The *Command* menu in the main window menubar contains all GUI functionality related to the console window.

**Simulation Control Window** Running simulation can be controlled using the **Simulation Control** window.

Consequences of the window buttons are as follows:

- **Run/Stop**: If simulation is not running, the button is labeled 'Run', and it starts simulation of the program loaded in the simulator. If simulation is running, the button is labeled 'Stop', and it will stop the simulation.
- **Stepi**: Advances simulation to the next machine instructions.
- **Nexti**: Advances simulation to the next machine instructions in current procedure.
- **Continue**: Resumes simulation of the program until the simulation is finished or a breakpoint is reached.
- **Kill**: Terminates the simulation. The program being simulated remains loaded and the simulation can be restarted from the beginning.



**Disassembly Window** The disassembly window displays the machine code of the simulated program. The machine code is displayed one instruction per line. Instruction address and instruction moves are displayed for each line. Clicking right mouse button on an instruction displays a context menu with the following items:

- **Toggle breakpoint:** Sets a breakpoint or deletes existing breakpoint at the selected instruction.
- **Edit breakpoint...:** Opens selected breakpoint in **Breakpoint Properties** dialog.

**Machine State Window** The *Machine State Window* displays the state of the processor running the simulated program. The window is split horizontally to two subwindows. The window on the left is called *Status Window*, and it displays general information about the state of the processor, simulation and the selected processor block. The subwindow on the right, called *Machine Window*, displays the machine running the simulation.

The blocks used by the current instruction are drawn in red color. The block utilization is updated every time the simulation stops.

Blocks can be selected by clicking them with LMB. When a block is selected, the bottom of the *status window* will show the status of the selected block.

### 6.1.6.2 Profiling with Proxim

Proxim offers simple methods for profiling your program. After you have executed your program you can select “Source” -> “Profile data” -> “Highlight top execution count” from the top menu. This opens a dialog which shows execution counts of various instruction address ranges. The list is arranged in descending order by the execution count.

If you click a line on the list the disassembly window will focus on the address range specified on that line. You can trace in which function the specific address range belongs to by scrolling the disassembly window up until you find a label which identifies the function. You must understand at least a little about assembly coding to find the actual spot in C code that produces the assembly code.

## 6.2 System Level Simulation with SystemC

TCE provides easy “hooks” to attach cycle-count accurate TTA simulation models to SystemC system level simulations. The hooks allow instantiating TTA cores running a fixed program as SystemC modules. In order to simulate I/O from TTA cores, or just to model the functionality of an function unit (FU) in more detail, the fast (but not necessarily bit accurate) default pipeline simulation models of the FUs can be overridden with as accurate SystemC models as the system level simulation requires.

The TCE SystemC integration layer is implemented in “tce\_systemc.hh” which should be included in your simulation code to get access to the TTA simulation hooks. In addition, to link the simulation binary successfully, the TCE libraries should be linked in via “-ltce” or a similar switch.

For a full example of a system level simulation with multiple TTA cores, see Appendix B.

### 6.2.1 Instantiating TTACores

New TTA cores are added to the simulation by instantiating objects of class TTACore. The constructor takes three parameters: the name for the TTA core SystemC module, the file name for the architecture description, and the program to be loaded to the TTA.

For example:

```
...
#include <tce_systemc.hh>
...
int sc_main(int argc, char* argv[]) {
```

```

...
TTACore tta("tta_core_name", "processor.adf", "program.tpef");
tta.clock(clk.signal());
tta.global_lock(glock);
...
}

```

As you can see, the TTA core model presents only two external ports that must be connected in your simulation model: the clock and the global lock. The global lock freezes the whole core when it's up and can be used in case of dynamic latencies, for example.

## 6.2.2 Describing Detailed Operation Pipeline Simulation Models

The default TTA simulation model is a model that produces cycle-count accuracy but does not simulate the details not visible to the programmer. It's an architecture simulator which is optimized for simulation speed. However, in case the core is to be connected to other hardware blocks in the system, the input and output behavior must be modeled accurately.

The TCE SystemC API provides a way to override functional unit simulation models with more detailed SystemC modules. This is done by describing one or more "operation simulation models" with the macro **TCE\_SC\_OPERATION\_SIMULATOR** and defining more accurate simulation behavior for operation pipelines.

In the following, a simulation model to replace the default load-store simulation model is described. This model simulates memory mapped I/O by redirecting accesses outside the data memory address space of the internal TTA memory to I/O registers.

```

TCE_SC_OPERATION_SIMULATOR(LSUModel) {
    sc_in<int> reg_value_in;
    sc_out<int> reg_value_out;
    sc_out<bool> reg_value_update;

    TCE_SC_OPERATION_SIMULATOR_CTOR(LSUModel) {}

    TCE_SC_SIMULATE_CYCLE_START {
        reg_value_update = 0;
    }

    TCE_SC_SIMULATE_STAGE {
        unsigned address = TCE_SC_UINT(1);
        // overwrite only the stage 0 simulation behavior of loads and
        // stores to out of data memory addresses
        if (address <= LAST_DMEM_ADDR || TCE_SC_OPSTAGE > 0) {
            return false;
        }
        // do not check for the address, assume all out of data memory
        // addresses update the shared register value
        if (TCE_SC_OPERATION.writesMemory()) {
            int value = TCE_SC_INT(2);
            reg_value_out.write(value);
            reg_value_update.write(1);
        } else { // a load, the operand 2 is the data output
            int value = reg_value_in.read();
            TCE_SC_OUTPUT(2) = value;
        }
        return true;
    }
}

```

```
};
```

In the above example, **TCE\_SC\_SIMULATE\_CYCLE\_START** is used to describe behavior that is produced once per each simulated TTA cycle, before any of the operation stages are simulated. In this case, the update signal of the I/O register is initialized to 0 to avoid garbage to be written to the register in case write operation is not triggered at that cycle.

**TCE\_SC\_SIMULATE\_STAGE** is used to define the parts of the operation pipeline to override. The code overrides the default LSU operation stage 0 in case the address is greater than **LAST\_DMEN\_ADDR** which in this simulation stores the last address in the TTA's local data memory. Otherwise, it falls back to the default simulation model by returning *false* from the function. The default simulation behavior accesses the TTA local memory simulated with the TTACore simulation model like in a standalone TTA simulation. Returning *true* signals that the simulation behavior was overridden and the default behavior should not be produced by TTACore.

The actual simulation behavior code checks whether the executed operation is a memory write. In that case it stores the written value to the shared register and enables its update signal. In case it's a read (we know it's a read in case it's not a write as this is a load-store unit with only memory accessing operations), it reads the shared register value and places it in the output queue of the functional unit.

In more detail: **TCE\_SC\_OUTPUT(2) = value** instructs the simulator to write the given value to the functional unit port bound to the operand 2 of the executed operation (in this case operand 2 of a load operation is the first result operand. This follows the convention of OSAL operation behavior models (see Section 4.3.5 for further details). Similarly, **TCE\_SC\_UINT(2)** and **TCE\_SC\_INT(1)** are used to read the value written to the operand 2 and 1 of the operation as unsigned and signed integers, respectively. In case of the basic load/store operations, operand 1 is the memory address and in case of stores, operand 2 is the value to write.

Finally, the simulation model is instantiated and the original LSU simulation model of TTACore is replaced with the newly defined one:

```
...
LSUModel lsu("LSU");
tta.setOperationSimulator("LSU", lsu);
...
```

## 6.3 Processor Cost/Performance Estimator (estimate)

Processor Cost/Performance **Estimator** provides estimates of energy consumption, die area, and maximum clock rate of TTA designs (program and processor combination).

**Input:** ADF, IDF, [TPEF and TraceDB]

**Output:** Estimate (printed to the standard output)

### 6.3.1 Command Line Options

The usage of the *estimate* application is as follows:

```
estimate {-p [TPEF] -t [TraceDB]} ADF IDF
```

The possible options of the application are as follows:

Short Name	Long Name	Description
p	program	Sets the TTA program exchange format file (TPEF) from which to load the estimated program (required for energy estimation only).
t	trace	sets the simulation trace database (TraceDB) from which to load the simulation data of the estimated program (required for energy estimation only).
a	total-area	Runs total area estimation.
l	longest-path	Runs longest path estimation.
e	total-energy	Runs total energy consumption estimation.

If `tpef` and `tracedb` are not given, the energy estimation will NOT be performed since the Estimator requires utilization information about the resources. However, the area and timing estimation will be done. If only one of `tracedb` and `tpef` is given, it is ignored.

## 6.4 Automatic Design Space Explorer (explore)

Automatic Design Space **Explorer** automates the process of searching for target processor configurations with favourable cost/performance characteristics for a given set of applications by evaluating hundreds or even thousands of processor configurations.

**Input:** ADF (a starting point architecture), TPEF, HDB

**Output:** ExpResDB (Section 2.2.8)

### 6.4.1 Explorer Application format

Applications are given as directories that contain the application specific files to the Explorer. Below is a description of all the possible files inside the application directory.

file name	Description
program.bc	The program byte code (produced using “ <code>oacc --emit-llvm</code> ”).
description.txt	The application description.
simulate.ttasim	TTASIM simulation script piped to the TTASIM to produce <code>ttasim.out</code> file. If no such file is given the simulation is started with “ <code>until 0</code> ” command.
correct_simulation_output	Correct standard output of the simulation used in verifying. If you use this verification method, you need to add verification printouts to your code or the simulation script and produce this file from a successful run.
max_runtime	The applications maximum runtime (as an ascii number in nanoseconds).
setup.sh	Simulation setup script, if something needs to be done before simulation.
verify.sh	Simulation verify script for additional verifying of the simulation, returns 0 if OK. If missing only <code>correct_simulation_output</code> is used in verifying.

Below is an example of the file structure of *HelloWorld* application. As The maximum runtime file is missing application is expected not to have a maximum runtime requirement.

```
HelloWorld/program.bc
HelloWorld/correct_simulation_output
HelloWorld/description.txt
```

## 6.4.2 Command Line Options

The exploration result database `<output_dsdb>` is required always. The database can be queried applications can be added into and removed from the database and the explored configurations in the database can be written as files for further examination.

Please refer to `explore -h` for a full listing of possible options.

Depending on the exploration plugin, the exploring results machine configurations in to the exploration result database dsdb. The best results from the previous exploration run are given at the end of the exploration:

```
explore -e RemoveUnconnectedComponents -a data/FFTTTest --hdb=data/initial.hdb data/test.dsdb
```

Best result configurations:

```
1
```

Exploration plugins may also estimate the costs of configurations with the available applications. If there are estimation results for the configuratios those can be queried with option `--conf_summary` by giving the ordering of the results.

The Explorer plugins explained in chapters below can be listed with a command:

```
explore -g
```

And their parameters with a command:

```
explore -p <plugin name>
```

These commands can help if, for some reason, this documentation is not up-to-date.

## 6.4.3 Explorer Plugin: ConnectionSweeper

ConnectionSweeper reduces the interconnection network gradually until a given cycle count worsening threshold is reached. The algorithm tries to reduce register file connections first as they tend to be more expensive.

Example:

```
explore -v -e ConnectionSweeper -u cc_worsening_threshold=10 -s 1 database.dsdb
```

This reduces the connections in the IC network starting from the configuration number 1 until the cycle count drops over 10%. This algorithm might take quite a while to finish, thus the verbose switch is recommended to print the progress and possibly to pick up interesting configurations during the execution of the algorithm.

The explore tool has a pareto set finder which can output the interesting configurations from the DSDB after the IC exploration. The pareto set can be printed with:

```
explore --pareto_set C database.dsdb
```

This prints out the pareto efficient configurations using the number of connections in the architecture and the execution cycle count as the quality measures. For visualizing the pareto set you can use the `pareto_vis` script (installed with TCE) to plot the configurations:

```
explore --pareto_set C database.dsdb | pareto_vis
```

## 6.4.4 Explorer Plugin: SimpleICOptimizer

SimpleICOptimizer is an explorer plugin that optimizes the interconnection network of the given configuration by removing the connections that are not used in the parallel program.

This is so useful functionality especially when generating ASIPs for FPGAs that there's a shortcut script for invoking the plugin.

Usage:

```
minimize-ic unoptimized.adf program.tpef target-ic-optimized.adf
```

However, if you want more customized execution, you should read on.

Parameters that can be passed to the SimpleICOptimizer are:

Param Name	Default Value	Description
tpef	no default value	name of the scheduled program file
add_only	false	Boolean value. If set true the connections of the given configuration won't be emptied, only new ones may be added
evaluate	true	Boolean value. True evaluates the result config.

If you pass a scheduled tpef to the plugin, it tries to optimize the configuration for running the given program. If multiple tpefs are given, the first one will be used and others discarded. Plugin tries to schedule sequential program(s) from the application path(s) defined in the dsdb and use them in optimization if tpef is not given.

Using the plugin requires user to define the configuration he wishes optimize. This is done by giving `-s <configuration_ID>` option to the explorer.

Let there be 2 configurations in database.dsdb and application directory path app/. You can optimize the first configuration with:

```
explore -e SimpleICOptimizer -s 1 database.dsdb
```

If the optimization was successful, explorer should output:

```
Best result configuration:
3
```

Add\_only option can be used for example if you have an application which isn't included in application paths defined in database.dsdb but you still want to run it with the same processor configuration. First export the optimized configuration (which is id 3 in this case):

```
explore -w 3 database.dsdb
```

Next schedule the program:

```
schedule -t 3.adf -o app_dir2/app2.scheduled.tpef app_dir2/app2.seq
```

And then run explorer:

```
explore -e SimpleICOptimizer -s 3 -u add_only=true -u tpef=app_dir2/app2.scheduled.tpef
database.dsdb
```

The plugin now uses the optimized configuration created earlier and adds connections needed to run the other program. If the plugin finds a new configuration it will be added to the database, otherwise the existing configuration was already optimal. Because the plugin won't remove existing connections the new machine configuration is able to run both programs.

### 6.4.5 Explorer Plugin: RemoveUnconnectedComponents

Explorer plugin that removes unconnected ports from units or creates connections to these ports if they are FUs, but removes FUs that have no connections. Also removes unconnected buses. If all ports from a unit are removed, also the unit is removed.

You can pass a parameter to the plugin:

Param Name	Default Value	Description
allow_remove	false	Allows the removal of unconnected ports and FUs

When using the plugin you must define the configuration you wish the plugin to remove unconnected components. This is done by passing `-s <configuration_ID>` to explorer.

If you do not allow removal the plugin will connect unconnected ports to some sockets. It can be done with:

```
explore -e RemoveUnconnectedComponents -s 3 database.dsdb
```

or

```
explore -e RemoveUnconnectedComponents -s 3 -u allow_remove=false database.dsdb
```

if you wish to emphasise you do not want to remove components. This will reconnect the unconnected ports from the configuration 3 in database.dsdb.

And if you want to remove the unconnected components:

```
explore -e RemoveUnconnectedComponents -s 3 -u allow_remove=true database.dsdb
```

### 6.4.6 Explorer Plugin: GrowMachine

GrowMachine is an Explorer plugin that adds resources to the machine until cycle count doesn't go down anymore.

Parameters that can be passed to the GrowMachine are:

Param Name	Default Value	Description
superiority	2	Percentage value of how much faster schedules are wanted until cycle count optimization is stopped

Using the plugin requires user to define the configuration he wishes optimize. This is done by giving `-s <configuration_ID>` option to the explorer.

Example of usage:

```
explore -e GrowMachine -s 1 database.dsdb
```

### 6.4.7 Explorer Plugin: ImmediateGenerator

ImmediateGenerator is an Explorer plugin that creates or modifies machine instruction templates. Typical usage is to split an instruction template slot among buses.

Parameters that can be passed to the ImmediateGenerator are:

Param Name	Default Value	Description
print	false	Print information about machines instruction templates.
remove_it_name	no default value	Remove instruction template with a given name
add_it_name	no default value	Add empty instruction template with a given name.
modify_it_name	no default value	Modify instruction template with a given name.
width	32	Instruction template supported width.
width_part	8	Minimum size of width per slot.
split	false	Split immediate among slots.
dst_imm_unit	no default value	Destination immediate unit.

Example of adding a new 32 width immediate template named newTemplate that is splitted among busses:

```
explore -e ImmediateGenerator -s 1 -u add_it_name="newTemplate" -u width=32 -u split=true database.dsdb
```

### 6.4.8 Explorer Plugin: ImplementationSelector

ImplementationSelector is an Explorer plugin that selects implementations for units in a given configuration ADF. It creates a new configuration with a IDF.

Parameters that can be passed to the ImmediateGenerator are:

Param Name	Default Value	Description
ic_dec	DefaultICDecoder	Name of the ic decoder plugin.
ic_hdb	asic_130nm_1.5V.hdb	name of the HDB where the implementations are selected.
adf	no default value	An ADF for the implementations are selected if no database is used.

Example of creating implementation for configuration ID 1, in the database:

```
explore -e ImplementationSelector -s 1 database.dsdb
```

### 6.4.9 Explorer Plugin: MinimizeMachine

MinimizeMachine is an Explorer plugin that removes resources from a machine until the real time requirements of the applications are not reached anymore.

Parameters that can be passed to the ImmediateGenerator are:

Param Name	Default Value	Description
min_bus	true	Minimize buses.
min_fu	true	Minimize function units.
min_rf	true	Minimize register files.
frequency	no default value	Running frequency for the applications.

Example of minimizing configuration ID 1, in the database, with a frequency of 50 MHz:

```
explore -e MinimizeMachine -s 1 -u frequency=50 database.dsdb
```

### 6.4.10 Explorer Plugin: ADFCombiner

ADFCominer is an Explorer plugin that helps creating clustered architectures. From two input architectures, one (described as *extra*) is copied, and other one (described as *node*) is replicated defined number of times.

The connections are create between register files in neighboring clusters and the extra.

In case the *build\_idf* is set to true, hardware databases to be used for search for component implementations can be specified with *-b* parameter.

Parameters that can be passed to the ADFCombiner are:

Param Name	Default Value	Description
node_count	4	Number of times the node is replicated.
node	node.adf	The architecture of <i>node</i> that will be replicated.
extra	extra.adf	The architecture which will be added just once.
build_idf	false	If defined, ADFCombiner will try to create .idf definition file.
vector_lsu	false	If defined, the VectorLSGenerator plugin will be called to create wide load store unit.
address_spaces	data	The semicolon separated list of address space names to be used by generated wide load store units (one unit per address space).

Example of creating architecture with eight clusters, eight wide load and store, without creating implementation definition file:

```
explore -e ADFCombiner -u node=myNode.adf -u extra=myExtra.adf -u node_count=8 -u vector_lsu=true -u address_spaces="local;global" test.dsdb
```

If successful, explorer will print out configuration number of architecture created in test.dsdb. The created architecture can be written to architecture file with:

```
explore -w 2 test.dsdb
```

Example of creating architecture with four clusters with implementation definition file:

```
explore -e ADFCombiner -u node=myNode.adf -u extra=myExtra.adf -u node_count=4 -u build_idf=true -b default.hdb -b stream.hdb test.dsdb
```

If successful, explorer will print out configuration number of architecture created in test.dsdb. The created architecture and implementation definition file can be written to architecture file with:

```
explore -w 2 test.dsdb
```

### 6.4.11 Explorer Plugin: VLIWConnectIC

VLIWConnectIC takes an .ADF architecture as input, and arranges its FUs into a VLIW-like interconnection. This is typically as baseline for running the BusMergeMinimizer and RFPortMergeMinimizer plugins. The output machine has some empty buses whose instruction slots are used to encode long immediates.



Param Name	Default Value	Description
wipe_register_file	yes	Replace the original register file(s) with a native VLIW RF.
limm_bus_count	1	Number of empty buses used to encode long immediates.
simm_width	6	Short immediate width.

Example of invoking the plugin:

```
explore -e VLIWConnectIC -a test.adf -s 1 test.dsdb
explore -w 2 test.dsdb
```

#### 6.4.12 Explorer Plugin: BlocksConnectIC

BlocksConnectIC takes an .ADF architecture as input, and arranges its FUs into a Blocks-CGRA [FPL, 2019] interconnection. The output machine has an empty bus whose instruction slot is used to encode long immediates. The RFs, FUs, and instructions are not modified by the plugin.

Example of invoking the plugin:

```
explore -e BlocksConnectIC -a test.adf -s 1 test.dsdb
explore -w 2 test.dsdb
```

## Chapter 7

# PROCESSOR TEMPLATE

This chapter details features of the processor template of TCE. It describes the architectural overview of the template, giving an overview of the processor paradigm used, and discusses its specifics. The chapter also describes the programmer interface, especially from the point of view of the high-level language compilation.

### 7.1 Architecture Template

#### 7.1.1 Transport Triggered Architecture

The processor template from which the application specific processors designed with TCE are defined is called Transport Triggered Architecture (TTA). For a detailed description behind the TTA idea, refer to [Cor97]. A short introduction is presented in [Bou01].

TTA is based on VLIW (Very Long Instruction Word) processor paradigm but solves its major bottlenecks: the complexity of the register file (RF) and register file bypass network. TTA is *statically scheduled* at compile time and supports *instruction-level parallelism* (ILP) like VLIW. TTA instructions are commonly hundreds of bits wide. TTAs can have multiple independent *function units* (FUs) and a customized interconnection network, as illustrated in Fig. 7.1.

The term transport-triggered means that instruction words control the operand transfers on the interconnection network and the operation execution happens as a side effect of these transfers. An operation is triggered to execute when a data operand is transferred to a specific *trigger* input port of an FU. In the instructions there is one *slot* for each transport bus. For example, “FU0.out0 -> LSU.trig.stw” moves data from the output port 0 of function unit 0 to the trigger input port of load-store unit (LSU). After that the LSU starts executing the triggered operation, in this case store word to memory.

In a basic case, all FU input and output ports are registers which relieves the pressure on the register file. Thanks to the programming model, operands can be bypassed directly from one FU to another. This is called software bypassing. Additionally, if the bypassed operand is not needed by anyone else there is no need to write the operand to a register file. This optimization technique is called dead result elimination. Combining software bypassing with dead result elimination helps to reduce register file traffic. Moreover, the TCE TTA template gives freedom for partitioning register files. For example, there can be several small and simple register files instead one centralized multiported RF.

The transport programming is also beneficial because it allows easy scalability of the architecture and compiler, as well as supports varying pipeline depths at FUs. At the same time, the number of FU inputs and outputs is not restricted, unlike in most processor templates which support only instructions with 2 inputs and 1 output value. User can also create instruction set extensions with a *special function unit* (SFU) which can have arbitrary number of I/O operands. Instruction set extension is a powerful way of enhancing the performance of certain applications.

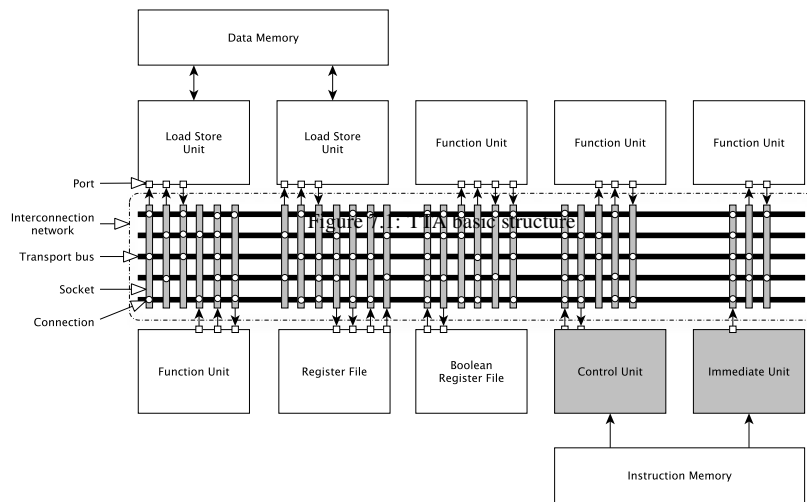


Table 7.1: Configurable aspects of the TCE's TTA template

Property	Values	Example
Functional unit	Type, count	3x ALU, 2x LSU, 1x MUL, 1x ctrl...
Register file (RF)	# registers, #RFs, #ports, width	16x 32b RF 2x rd + 2x wr ports, 16x 1b boolean RF
Interconnection network	#buses, #sockets	5 buses, total of 43 write and 44 read sockets
Memory interfaces	Count, type	2x LSU for SRAM w/ 32b data & 32b addr
Special FU	User-defined functionality	dct, semaphor_lock, FIFO I/O

### 7.1.2 immediates/Constants

The TTA template supports two ways of transporting program constants in instructions, such as “*add value+5*”. *Short immediates* are encoded in the move slot’s source field, and thus consume a part of a single move slot. The constants transported in the source field should usually be relatively small in size, otherwise the width of a move slot is dominated by the immediate field.

Wider constants can be transported by means of so called *long immediates*. Long immediates can be defined using an ADF parameter called *instruction template*. The instruction template defines which slots are used for pieces of the instruction template or for defining the transports (moves). The slots cannot be used for regular data transports when they are used for transporting pieces of a long immediate.

An instruction template defining a long immediate also provides a target to which the long immediate must be transported. The target register resides in a so called *immediate unit* which is written directly from the control unit, not through the transport buses. The immediate unit is like a register file except that it contains only read ports and is written only by the instruction decoder in the control unit when it detects an instruction with a long immediate (see Fig. 7.1).

Thus, in order to support the special long immediate encoding, one has to add a) an instruction template that supports transporting the pieces of the immediate using full move slots b) at least one long immediate unit (a read-only register file) to which the instruction writes the immediates and of which registers the immediates can be read to the datapath.

### 7.1.3 Operations, Function Units, and Operand Bindings

Due to the way TCE abstracts operations and function units, an additional concept of *operand binding* is needed to connect the two in processor designs.

Operations in TCE are defined in a separate database (OSAL, Sections 2.2.6 and 4.3 ) in order to allow defining a reusable database of “operation semantics”. The operations are used in processor designs by adding *function units* (FU) that implement the wanted operations. Operands of the operations can be mapped to different ports of the implementing FU, which affects programming of the processor. Mapping of operation operands to the FU ports must be therefore described by the processor designer explicitly.

**Example.** Designer adds an FU called ‘ALU’ which implements operations ‘ADD’, ‘SUB’, and ‘NOT’. ALU has two input ports called ‘in1’ and ‘in2t’ (triggering), and an output port called ‘out’. A logical binding of the ‘ADD’ and ‘SUB’ operands to ALU ports is the following:

```
ADD.1 (the first input operand) bound to ALU.in1
ADD.2 (the second input operand) bound to ALU.in2t
ADD.3 (the output operand) bound to ALU.out

SUB.1 (the first input operand) bound to ALU.in1
SUB.2 (the second input operand) bound to ALU.in2t
SUB.3 (the output operand) bound to ALU.out
```

However, operation ‘NOT’, that is, the bitwise negation has only one input thus it must be bound to port ‘FU.in2t’ so it can be triggered:

```
NOT.1 bound to ALU.in2t
NOT.2 (the output operand) bound to ALU.out
```

Because we have a choice in how we bind the ‘ADD’ and ‘SUB’ input operands, the binding has to be explicit in the architecture definition. The operand binding described above defines architecturally different TTA function unit from the following:

```
SUB.2 bound to ALU.in1
SUB.1 bound to ALU.in2t
SUB.3 bound to ALU.out
```

With the rest of the operands bound similarly as in the first example.

Due to the differing 'SUB' input bindings, one cannot run code scheduled for the previous processor on a machine with an ALU with the latter operand bindings. This small detail is important to understand when designing more complex FUs, with multiple operations with different number of operands of varying size, but is usually transparent to the basic user of TCE.

Reasons for wanting to fine tune the operand bindings might include using input ports of a smaller width for some operation operands. For example, the width of the address operands in memory accessing operations of a load store unit is often smaller than the data width. Similarly, the second operand of a shift operation that defines the number of bits to shift requires less bits than the shifted data operand.

### 7.1.4 Datapath Connectivity Levels

The datapath interconnection network of TTAs is visible to the programmer (i.e. the compiler in practice). This enables full customization of the connectivity, making it possible to remove connections that are rarely, if at all, used by the programs the processor at hand is designed to run. This offers notable saving in the HW area. However, the less connections the machine has, the more challenging it becomes to automatically produce efficient code for it. This section describes the different TTA "connectivity levels" and their support in the TCE design flow.

The currently identified and supported connectivity levels are, in the order of descending level of connectivity, as follows:

1. Fully connected. Completely connected interconnection network "matrix". All bus-socket and socket-port connections are there. There is a shortcut for creating this type of connectivity in the ProDe tool.

The easy target for the high-level language compiler oacc. However, not a realistic design usually due to its high implementation costs.

2. Directly reachable. The connectivity has been reduced. However, there is still at least one direct connection from each function unit (FU) and register file (RF) output to all inputs.

An easy target for oacc.

3. Fully RF connected. All FUs are connected to all RFs. That is, you can read and write any general purpose register (GPR) from any FU with a single move. However, some or all bypass connections between FUs might be missing.

An easy target for oacc. However, reduction of bypass connections means that less software bypassing can be done.

4. Reachable. All FUs are connected to at least one RF and all RFs (and thus other FUs) can be reached via one or more additional register copy moves.

Compilation is fully supported by oacc. The number of copies is not limited by oacc. However, this style of connectivity results in suboptimal code due to the additional register copies which introduce additional moves, consume registers, and produce dependencies to the code which hinder parallelism.

5. RF disconnected. Some FUs are not connected to any RF or there are "separated islands" without connectivity to other "islands".

Not supported by oacc. However, any connectivity type is supported by the TCE assembler. Thus, one can resort to manual TTA assembly programming in this case.

## 7.2 Programmer Interface

This section describes the programmer interface, which is the application binary interface followed by oacc.

The programs produced by `oacc` are fully linked and not expected to be relinked afterwards to other programs. Therefore, details such as the function calling convention can be customized per program by the compiler. For these parts, this section describes the current default behavior for reference.

### 7.2.1 Default Data Address Space Layout

When compiling from a higher-level language using `oacc`, there has to be at least one byte-addressible data address space in the machine. This is the “default address space”, marked with the numerical id 0 in case there are multiple data address spaces.

The C/C++ compilation lays out the global variables starting from the first data memory location to the default address space. The first location after the global variables is the start location for heap, in case the program uses dynamic memory allocation. It grows upwards. The stack, used to store the function local variables and to pass parameters in the function calls, grows from the largest memory address downwards. The start address of the stack can be changed with the `oacc` switch `--init-sp` .

As both heap and stack grow dynamically towards each other, to way to increase the available space for heap/stack is to increase the size of your data memory address space in ADF.

### 7.2.2 Instruction Address Space

The default GCU assumes that instruction memory is instruction addressable. In other words the instruction word must fit in the MAU of the instruction memory. This way the next instruction can be referenced by incrementing the current program counter by one.

How to interface the instruction memory with an actual memory chip is out of scope in TCE because there are too many different platforms and chips and possibilities. But as an advantage this gives the user free hands to implement almost any kind of memory hierarchy the user wants. Most probably you must implement a memory adapter to bind the memory chip and the TTA processor interfaces together.

### 7.2.3 Alignment of Words in Memory

`oacc` aligns the addresses of data word to the data type size in bytes. For example, if a floating-point word takes 4 MAU's, its address must be a multiple of 8.

The memory accessing operations in the base operation set (`ldq`, `ldh`, `ldw`, `ldd`, `stq`, `sth`, `stw`, and `ldd`) are aligned with their size. Operations `stq/ldq` are for accessing single bytes, thus their alignment is 1 byte, for `sth/ldh` it is 2 bytes, and for `stw/ldw` it is 4 bytes. Thus, one cannot assume to be able to access, for example, a 4 byte word at address 3 using `stw/ldw`.

Double precision floating point word operations `std/lld` which access 64-bit words are aligned at 8-byte addresses.

The effect of misaligned word accesses on processor implementations are undefined. Typically: (1) the processor accesses the nearest (lower) aligned address instead (because of zeroing the lower address bits); (2) the processor halts or rises an exception (unlikely). More likely is that, a processor could enter a slower operation mode and perform a mis-aligned memory access. However, these behaviors are not *required* by the above mentioned aligned base memory operations shipped with TCE.

### 7.2.4 Stack Frame Layout

The register assigned to act as the stack pointer register (referred to as SPR) is the register number 0 of the first 32b register file in the ADF. There is optional frame pointer(FPR) which is enabled on only functions with variable arrays or `alloca` calls. The FPR is the the third 32-bit register available in the ADF, calculated in round-robin fashion between register files.

The default mode without FPR is called NoFP mode and the mode with FPR is called HasFP mode. On NoFP mode the FPR is a freely usable GPR with callee-save semantics. The two stack frame modes are function-specific, same program can contain functions which use either mode and the parameter passing

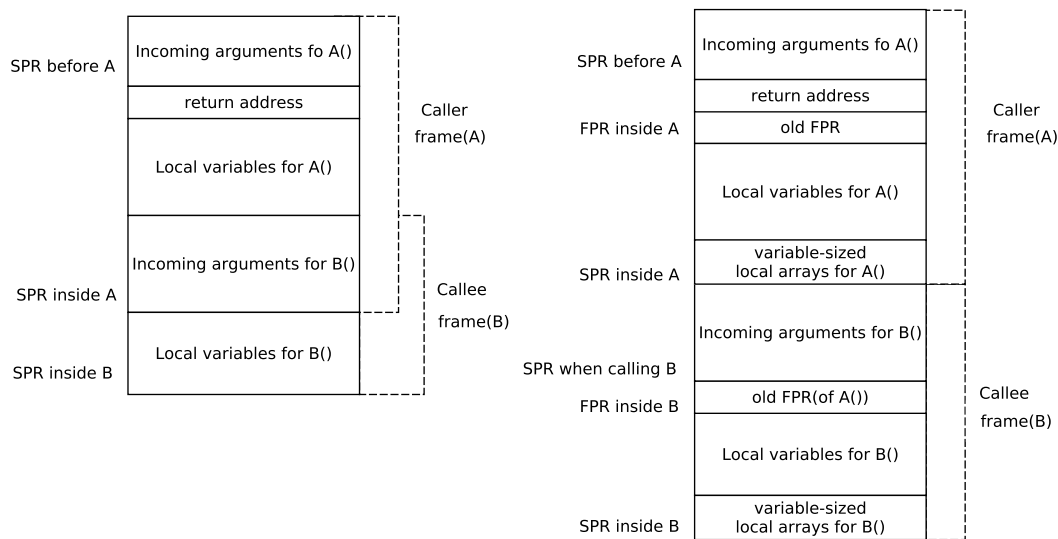


Figure 7.2: Stack layout(NoFP mode on left, HasFP mode on right) for a situation with two call frames, A() calling B(). Functions like B that do not call any other functions do not store their return address to the stack.

of the two modes is compatible in such way that code in either mode can call any function which uses either mode.

The stack of TTA's supported by TCE grows downwards.

The stack of a program is divided up into blocks of contiguous memory called *frames*. Each frame is activated upon entering a function and is destroyed (its storage is made available for new frames) when that function invocation returns.

In NoFP mode, the stack pointer register (SPR) always points to the place of last outgoing variable that the function can call, and this pointer is only adjusted at the beginning and end of a function. If the function contains calls to another functions, the first word after(below) the old stack pointer contains the old return address. After(below) that is the area for the local variables. The local variables and spilled registers are the same area, there is no distinction between them. After(below) the local variables is the are for outgoing parameters. When a function calls multiple other functions, the space allocated for outgoing parameters is calculated by the size of parameters of the call which needs most parameter area.

In HasFP mode, space for the outgoing variables is not allocated in the beginning of the function. In the beginning of a function, Old Return Address(RA) and FPR are pushed to stack, and SPR is then copied to FPR. Then space for local variables is allocated by decreasing the SPR. The stack pointer(SPR) always points to the topmost item of the stack. Usually this is the end of the local variable area. When a function is called, the function parameters are pushed into the stack, and SPR adjusted accordingly, allocating the area for the outgoing parameters from the stack

grows downwards, therefore the incoming arguments and the local variables on the local stack frame have positive offsets when accessed from the current function, whereas the outgoing arguments have negative stack offsets.

The value of the return address register is pushed to stack before the function's local variables in case the function is not a leaf function (a function without calls to other functions). If the called function returns an object that does not fit to the return value register, the function gets an implicit argument that points to the location in the callee's stack where the return value object will be written by the called function.

### 7.2.5 Word Byte Order

TCE-TTA processors follow the little endian byte order if ADF of the processor has little endian property enabled. Otherwise, the processors follow big endian byte order.

### 7.2.6 Function Calling Conventions

The current default calling convention generated by oacc is as follows.

The second 32-bit GPR (first register of second 32-bit register file, or second register of only 32-bit register file) of ADF is a return value register which is used to return 32b values such as *ints* or *floats* from functions. The same register is reused for the first passed parameter value in function calls, if suitable.

In a function call, the arguments and return values that do not fit in the 32b return value / parameter register are pushed to stack.

The return location for the last executed CALL operation is stored in the RA register in the control unit. This is pushed to stack in case of multiple function call layers. Refer to the stack frame layout for more information.

### 7.2.7 Register Context Saving Conventions

All registers except SPR may have to be saved and restored as a result of a function call. When a register carries a variable in the caller code that remains live across a function call, and uses a register overwritten in the callee, it needs to be saved and restored. Registers are subdivided in two groups: those that are saved and restored around a function call site, and those that are saved at the beginning of the called function and are restored before it returns. The first group is termed *caller-saved* registers, the second group *callee-saved* registers.

The compiler has the freedom to optimize the context saving convention. Depending on the properties of the program and the capacity of the register allocator, a varying fraction of the total GPR's in a register file may be assigned to either above mentioned groups. The register allocator may even dedicate one register file completely to caller-saved registers and another to callee-saved registers.

The current default register saving convention followed by oacc is to have treat all registers except FPR(when not used as FPR) as caller saved.



## Chapter 8

# PRODUCING EFFICIENT TTA DESIGNS WITH TCE

This chapter gives some tips on how to avoid the most common bottlenecks that often arise in the TTA designs produced using TCE and how to get good performance for your architecture.

### 8.1 Registers and Register Files

Make sure you have enough general purpose registers and register file read ports. Using more than two read ports in one register file may make it big, slow and power-hungry, so consider splitting the RF to multiple register files.

However, it should be noted that the current compiler does not perform intelligent distribution of variables to the register files, so if the machine is not equally connected to all the function units that consume each variable, you might end up with “connectivity register copies” (see below). The current register distribution method is *round robin* which balances the RF load somewhat, but not perfectly, as it doesn’t take in account the computation that uses each variable.

To produce better register distribution, the compiler should balance the RF load at the granularity of “computation trees”, not at the granularity of a single register to produce more parallelizable code and to reduce register copies. Improving this part of the code generation is being worked on with high priority.

### 8.2 Interconnection Network

See Section 7.1.4 for the definitions of the different connectivity classes of the TTAs designed with TCE. Some additional points worth considering:

- ‘Fully connected’ on architectures that are not very small usually lead to low maximum clock frequencies.
- Having only the ‘Reachable’ connectivity leads to the need to add extra register-to-register transfers created by the compiler and may cause considerable slowdowns due to the difficulties to parallelize such code.

The best compromise between *instructions-per-cycle (IPC)* and clock speed is usually ‘Fully RF connected’ with additional FU to FU connections for commonly used bypasses.

This, of course, doesn’t always hold. For example, if the clock speed is limited by some other component than the interconnect, Directly Reachable might give slightly better performance. Sometimes some architecture with only ‘Reachable’ connectivity might give so big clocks speed improvement that it might outweigh the IPC penalty. So, it needs some experimenting from the designer as it depends on the parallelism of the program among other things.

With some future improvements to the compiler the performance of 'Reachable' architectures may get a definite improvement, at which point we'll update these hints.

There is a tool called ConnectionSweeper which can be used to optimize the interconnection network automatically. ConnectionSweeper is documented in Section 6.4.3.

### 8.2.1 Negative short immediates

Make sure you have one or more buses (actually "move slots") with signed short immediate fields. Small negative numbers such as -1, and -4 are very common in the generated code, and long immediates often cause bottlenecks on the machine code.

## 8.3 Operation Set

Optimize your operation set for your code. Make sure you support the performance-critical instructions with hardware operations. Software-emulation of some operations is usually 50-100 times slower than hardware execution and might prevent parallelization of multiple iterations of the core kernel loop.

For example, if you do a lot of floating point calculations, use hardware floating point units. If your inner loop contains integer multiplications, put a multiplier in your architecture.

On the other hand, if you do not need a floating point unit, integer multiplier or a divider, do not put them to your achitecture "just in case", as they increase the size of the processor, power consumption, and also the size of the instruction word. It also makes the interconnection network more complex which often also reduces the clock speed and therefore performance. Unless, of course, you need the "general purposity" and you predict that some of the future programs that are going to run in your processor might be able to exploit such hardware units.

After your selection of basic operations is good for your program, and you still need more performance or lower power consumption, then consider using custom operations.

## Chapter 9

# TROUBLESHOOTING

This chapter gives solutions to common problems encountered while using TCE.

### 9.1 Simulation

Problems with simulation, both with command line (ttasim) and graphical user interfaces (proxim) are listed here.

#### 9.1.1 Failing to Load Operation Behavior Definitions

It might be possible that you have defined some custom operations to `~/.openasip/opset/custom` which conflict with your new definitions, or the simulation behaviors are compiled with an older compiler and not compatible with your new compiler. Workaround for this is to either delete the old definitions or rebuild them.

### 9.2 Limitations of the Current Toolset Version

This section lists the most user-visible limitations placed by the current toolset version.

#### 9.2.1 Integer Width

The simulator supports only integer computations with maximum word width of 32 bits.

#### 9.2.2 Instruction Addressing During Simulation

The details of encoding and compression of the instruction memory are not taken into account before the actual generation of the bit image of the instruction memory. This decision was taken to allow simplification in the other parts of the toolset, and to allow easy "exploration" with different encodings and compression algorithms in the bit generation phase.

This implies that every time you see an instruction address in architectural simulation, you are actually seeing an instruction index. That is, instruction addressing (one instruction per instruction memory address) is assumed.

We might change this in the future toolset versions to allow seeing exact instruction memory addresses during simulation, if that is seen as a necessity. Currently it does not seem to be a very important feature.

### 9.2.3 Data Memory Addressing

There is no tool to map data memory accesses in the source code to the actual target's memories. Therefore, you need to have a data memory which provides byte-addressing with 32-bit words. The data will be accessed using operations LDQ, LDH, LDW, STQ, STH, STW, which access the memory in 1 (q), 2 (h), and 4 (w) byte chunks. This should not be a problem, as it is rather easy to implement byte-addressing in case the actual memory is of width of 2's exponent multiple of the byte. The parallel assembler allows any kind of minimum addressable units (MAU) in the load/store units. In that case, LDQ/STQ just access a single MAU, etc. One should keep in mind the 32-bit integer word limitation of simulation. Thus, if the MAU is 32-bits, one cannot use LDH or LDW because they would require 64 and 128 bits, respectively.

### 9.2.4 Ideal Memory Model in Simulation

The simulator assumes ideal memory model which generates no stalls and returns data for the next instruction. This so called 'Ideal SRAM' model allows modeling all types of memories in the point of view of the programmer. It is up to the load/store unit implementation to generate the lock signals in case the memory model does not match the ideal model.

There are hooks for adding more memory models which generate lock signals in the simulation, but for the v1.0 the simulator does not provide other memory models, and thus does not support lock cycle simulation.

### 9.2.5 Guards

The guard support as specified in the ADF specification [CSJ04] is only partially supported in TCE. Operators other than logical negation are not supported. That is, supported guards always "watch" a single register (FU output or a GPR). In addition, the shipped default scheduling algorithm in compiler backend requires a register guard. Thus, if more exotic guarded execution is required, one has to write the programs in parallel assembly (Section 5.3).

### 9.2.6 Operation Pipeline Description Limitations

Even though supported by the ADF and ProDe, writing of operands after triggering an operation is not supported neither by the compiler nor the simulator. However, setting different latencies for outputs of multi-result operations is supported. For example, using this feature one can have an iterative operation pipeline which computes several results which are ready after the count of stages in an iteration.

### 9.2.7 Encoding of XML Files

TCE uses XML to store data of the architectures and implementation locations (see Section 2.2.1 and Section 2.2.4). The encoding of the XML files must be in 7-bit ascii. If other encodings are used, the result is undefined.

### 9.2.8 Floating Point Support

The simulator supports the half (16 bits), single (32 bits) and double (64 bits) precision floating point types. However, at this time only single precision float operations (ADDF, MULF, etc.) are selected automatically when starting from C/C++ code. Currently, the compiler converts doubles to floats to allow compiling and running code with doubles with reduced precision.

## Appendix A

# FREQUENTLY ASKED QUESTIONS

### A.1 Memory Related

Questions related to memory accessing.

#### A.1.1 Load Store Unit

In the LSU implementations shipped with TCE the two LSB bits are used by the LSU to control a so called write mask that handles writing of bytes. This means that the memory address outside the processor is 2 bits narrower than inside the processor. When you set the data address space width in ProDe, the width is the address width inside the processor.

### A.2 Processor Generator

#### A.2.0.1 Warning: Processor Generator failed to generate a test bench

The automatic testbench generator currently does not support any special function units that connect signals out from toplevel.vhdl. This warning can be ignored if you are not planning to use the automatically generated test bench.

#### A.2.0.2 Warning: Opcode defined in HDB for operation ...

Processor Generator gives a warning message if the operation codes in FU are not numbered according to the alphabetical order of the operations. The VHDL implementation and the HDB entry of the FU should be fixed to use this kind of opcode numbering. See section 4.11.1 for more details.

#### A.2.0.3 RTL simulation uses vast amounts of memory or crashes

RTL simulation, especially with GHDL, requires a large amount of memory when simulating processors with large address spaces. One workaround is to lower the memory address widths for the address spaces in the simulated processor.

### A.3 oacc

#### A.3.0.1 Disappearing code

Oacc is using the efficient LLVM compiler framework for its optimizations. Sometimes LLVM is too aggressive and removes code that you might not intend to get removed. This happens in case you write

your output to a global variable which you might dump only in the simulator and never read it in your program nor e.g. print it with **printf()**. In this case LLVM sees writes to a global variable which is never read by the program, thus thinks the computation producing the written value is useless and removes it as dead code.

A solution to the problem is to always mark the global “output/verification” variables as ‘volatile’ which means that the content of the variable should be always written to the memory. Thus, LLVM has to assume that there might be other readers of the same variable that are just not visible in the current program.

## **A.4 Hardware characteristics**

### **A.4.1 Interrupt support**

Currently OpenASIP does not have support for interrupts. This is mostly due to the fact that context saving is an expensive operation on TTA because the processor context can be huge. In general, TTA might not be the best architecture choice for the only processor in a control-oriented or reactive system. RISC-V ISA designs might get interrupt/exception support in the future releases.

## **A.5 Misc**

### **A.5.1 File Search Paths**

The tools in OA search for files such as HDBs and OSAL operation definitions, in addition to the OA install locations, in the current working directory and its ‘data’ subdirectory.

## Appendix B

# SystemC Simulation Example

This SystemC simulation example simulates a system with two TTA cores communicating through two shared registers with memory mapped access. One of the registers (`busyReg`) is used to denote that the “receiver TTA” is busy processing the previously written data which the “sender TTA” writes (to `dataReg`). The receiver uses `iprintf` to print out the received data.

The C source codes for the programs running in the two TTAs are shown below: `mem_map.h` defines constants for the memory mapped I/O addresses. This file is included by both TTA programs and the SystemC simulation code presented later.

### **mmio\_recv.c: The C program running in the receiver TTA:**

```
#include <stdio.h>
#include <stdlib.h>

#include "mem_map.h"

/**
 * mmio_recv.c:
 *
 * Polls an I/O register and prints out its value whenever it changes.
 */
int main() {
    int last_value = 0;
    char values_received = 0;
    do {
        int new_value;
        *BUSY_ADDR = values_received;
        // should place a barrier here to ensure the compiler doesn't
        // move the while loop above the write (both access constant
        // addresses thus are trivial to alias analyze)
        while ((new_value = *DATA_ADDR) == last_value);
        ++values_received;
        iprintf("mmio_recv got %d\n", new_value);
        last_value = new_value;
    } while(1);
    return EXIT_SUCCESS;
}
```

### **mmio\_send.c: The C program running in the sender TTA.**

```
#include <stdio.h>
#include <stdlib.h>
```

```

#include "mem_map.h"

/**
 * mmio_send.c:
 *
 * Write data to a memory mapped shared register. Another TTA (see
 * mmio_recv.c) is polling this register and printing it to a console
 * whenever its value changes.
 */
int main() {
    /* These should get printed to the console through the another TTA. */
    char old_values_received = 0, values_received = 0;
    for (int i = 1; i <= 10; ++i) {
        int new_value = 1234 * i;
        *DATA_ADDR = new_value;
        /* Wait until the other TTA has processed the value. This is
         signalled by writing the count of values received so far
         to the BUSY_ADDR. */
        while ((values_received = *BUSY_ADDR) == old_values_received);
        old_values_received = values_received;
    }
    return EXIT_SUCCESS;
}

```

### **mem\_map.h: The memory mapped I/O addresses as constants:**

```

#define LAST_DMEM_ADDR (32*1024 - 1)
#define DATA_ADDR ((volatile int*)(LAST_DMEM_ADDR + 1))
#define BUSY_ADDR ((volatile char*)(LAST_DMEM_ADDR + 1 + 4))

```

The simple register is defined in **register.hh** and the load-store unit simulation model that overrides the default TTA simulator one in **lsu\_model.hh**.

### **register.hh: SystemC model for an integer register:**

```

#ifndef SC_REGISTER_HH
#define SC_REGISTER_HH

#include <systemc>

SC_MODULE(Register) {
    sc_in<int> input;
    sc_out<int> output;
    sc_in<bool> updateValue;
    sc_in<bool> clock;

    int value;

    void run() {
        if (updateValue) {
            value = input;
        }
        output = value;
    }

    SC_CTOR(Register) {

```



## OPENASIP

```
        SC_METHOD(run);
        sensitive << clock.pos();
        sensitive << input;
        sensitive << updateValue;
        value = 0;
    }
};

#endif
```

### lsu\_model.hh: The load-store unit model for the TTAs:

```
#ifndef SC_LSU_MODEL_HH
#define SC_LSU_MODEL_HH

#include <systemc>
#include <tce_systemc.hh>
#include "mem_map.h"

TCE_SC_OPERATION_SIMULATOR(LSUModel) {
    /* The same LSU simulation model is used for the sender and
       the receiver TTAs. The former writes to the data reg and
       reads the busy reg, latter vice-versa. */
    sc_in<int> reg_value_in;
    sc_out<int> reg_value_out;
    sc_out<bool> reg_value_update;

    TCE_SC_OPERATION_SIMULATOR_CTOR(LSUModel) {}

    TCE_SC_SIMULATE_CYCLE_START {
        // initialize the update signal to 0 so we won't update any
        // garbage to the register unless a write operation writes
        // to it
        reg_value_update = 0;
    }

    TCE_SC_SIMULATE_STAGE {
        unsigned address = TCE_SC_UINT(1);
        // overwrite only the stage 0 simulation behavior of loads and
        // stores to out of data memory addresses
        if (address <= LAST_DMEM_ADDR || TCE_SC_OPSTAGE > 0) {
            return false;
        }
        // do not check for the address, assume all out of data memory
        // addresses update the shared register value
        if (TCE_SC_OPERATION.writesMemory()) {
            int value = TCE_SC_INT(2);
            reg_value_out.write(value);
            reg_value_update.write(1);
        } else { // a load, the operand 2 is the data output
            int value = reg_value_in.read();
            TCE_SC_OUTPUT(2) = value;
        }
        return true;
    }
};
```

```
#endif
```

Finally, the actual main SystemC simulation code is defined as follows. As can be noted, both of the TTA cores use the same architecture loaded from **mmio.adf** of which contents are not presented here. In order to make this example work, the OA-included **minimal\_with\_io.adf** architecture can be used instead.

**simulator.cc: The main simulation code:**

```
#include <iostream>

#include "systemc.h"

#include "register.hh"
#include "lsu_model.hh"

int sc_main(int argc, char* argv[]) {

    // 100MHz clock frequency (1 us clock period)
    sc_clock clk("clock", 1, SC_US);

    sc_signal<bool> glock;
    sc_signal<int> busyRegDataIn;
    sc_signal<int> dataRegDataIn;
    sc_signal<int> busyRegDataOut;
    sc_signal<int> dataRegDataOut;
    sc_signal<bool> busyRegUpdate;
    sc_signal<bool> dataRegUpdate;

    Register dataReg("data_reg");
    dataReg.input(dataRegDataIn);
    dataReg.output(dataRegDataOut);
    dataReg.updateValue(dataRegUpdate);
    dataReg.clock(clk.signal());

    Register busyReg("busy_reg");
    busyReg.input(busyRegDataIn);
    busyReg.output(busyRegDataOut);
    busyReg.updateValue(busyRegUpdate);
    busyReg.clock(clk.signal());

    // the sender TTA:

    TTACore sender_tta("sender_tta", "mmio.adf", "mmio_send.tpef");
    sender_tta.clock(clk.signal());
    sender_tta.global_lock(glock);

    // the LSU writes to the data register and reads from the
    // busy reg to synchronize

    LSUModel lsul("LSU1");
    sender_tta.setOperationSimulator("LSU", lsul);
    lsul.reg_value_in(busyRegDataOut);
    lsul.reg_value_out(dataRegDataIn);
    lsul.reg_value_update(dataRegUpdate);

    // the receiver TTA:
```

## OPENASIP

```
TTACore recv_tta("recv_tta", "mmio.adf", "mmio_recv.tpef");
recv_tta.clock(clk.signal());
recv_tta.global_lock(glock);

// the LSU writes to the busy reg to synchronize the execution
// and reads from the data reg

LSUModel lsu2("LSU2");
recv_tta.setOperationSimulator("LSU", lsu2);
lsu2.reg_value_in(dataRegDataOut);
lsu2.reg_value_out(busyRegDataIn);
lsu2.reg_value_update(busyRegUpdate);

// simulate for 0.2 sec = 200K cycles
sc_time runtime(0.2, SC_SEC);
sc_start(runtime);

return EXIT_SUCCESS;
}
```

The simulator can be compiled with the following command (assuming gcc used):

```
g++ `tce-config --includes --libs` simulator.cc -lsystemc -O3 -o simulator
```

The simulation should produce output similar to the following:

```
./simulator

SystemC 2.2.0 --- Aug 30 2010 13:05:02
Copyright (c) 1996-2006 by all Contributors
ALL RIGHTS RESERVED

mmio_recv got 1234
mmio_recv got 3702
mmio_recv got 4936
mmio_recv got 6170
mmio_recv got 7404
mmio_recv got 9872
mmio_recv got 12340
```

## Appendix C

# Copyright notices

Here are the copyright notices of the libraries used in the software.

### C.1 Xerces

Xerces-C++ is released under the terms of the Apache License, version 2.0. The complete text is presented here.

Apache License Version 2.0, January 2004 <http://www.apache.org/licenses/>

#### TERMS AND CONDITIONS FOR USE, REPRODUCTION, AND DISTRIBUTION

##### 1. Definitions.

"License" shall mean the terms and conditions for use, reproduction, and distribution as defined by Sections 1 through 9 of this document.

"Licensor" shall mean the copyright owner or entity authorized by the copyright owner that is granting the License.

"Legal Entity" shall mean the union of the acting entity and all other entities that control, are controlled by, or are under common control with that entity. For the purposes of this definition, "control" means (i) the power, direct or indirect, to cause the direction or management of such entity, whether by contract or otherwise, or (ii) ownership of fifty percent (50) outstanding shares, or (iii) beneficial ownership of such entity.

"You" (or "Your") shall mean an individual or Legal Entity exercising permissions granted by this License.

"Source" form shall mean the preferred form for making modifications, including but not limited to software source code, documentation source, and configuration files.

"Object" form shall mean any form resulting from mechanical transformation or translation of a Source form, including but not limited to compiled object code, generated documentation, and conversions to other media types.

"Work" shall mean the work of authorship, whether in Source or Object form, made available under the License, as indicated by a copyright notice that is included in or attached to the work (an example is provided in the Appendix below).

"Derivative Works" shall mean any work, whether in Source or Object form, that is based on (or derived from) the Work and for which the editorial revisions, annotations, elaborations, or other modifications represent, as a whole, an original work of authorship. For the purposes of this License, Derivative Works shall not include works that remain separable from, or merely link (or bind by name) to the interfaces of, the Work and Derivative Works thereof.

"Contribution" shall mean any work of authorship, including the original version of the Work and any modifications or additions to that Work or Derivative Works thereof, that is intentionally submitted to Licensor for inclusion in the Work by the copyright owner or by an individual or Legal Entity authorized to submit on behalf of the copyright owner. For the purposes of this definition, "submitted" means any form of electronic, verbal, or written communication sent to the Licensor or its representatives, including

but not limited to communication on electronic mailing lists, source code control systems, and issue tracking systems that are managed by, or on behalf of, the Licensor for the purpose of discussing and improving the Work, but excluding communication that is conspicuously marked or otherwise designated in writing by the copyright owner as "Not a Contribution."

"Contributor" shall mean Licensor and any individual or Legal Entity on behalf of whom a Contribution has been received by Licensor and subsequently incorporated within the Work.

2. Grant of Copyright License. Subject to the terms and conditions of this License, each Contributor hereby grants to You a perpetual, worldwide, non-exclusive, no-charge, royalty-free, irrevocable copyright license to reproduce, prepare Derivative Works of, publicly display, publicly perform, sublicense, and distribute the Work and such Derivative Works in Source or Object form.

3. Grant of Patent License. Subject to the terms and conditions of this License, each Contributor hereby grants to You a perpetual, worldwide, non-exclusive, no-charge, royalty-free, irrevocable (except as stated in this section) patent license to make, have made, use, offer to sell, sell, import, and otherwise transfer the Work, where such license applies only to those patent claims licensable by such Contributor that are necessarily infringed by their Contribution(s) alone or by combination of their Contribution(s) with the Work to which such Contribution(s) was submitted. If You institute patent litigation against any entity (including a cross-claim or counterclaim in a lawsuit) alleging that the Work or a Contribution incorporated within the Work constitutes direct or contributory patent infringement, then any patent licenses granted to You under this License for that Work shall terminate as of the date such litigation is filed.

4. Redistribution. You may reproduce and distribute copies of the Work or Derivative Works thereof in any medium, with or without modifications, and in Source or Object form, provided that You meet the following conditions:

- (a) You must give any other recipients of the Work or Derivative Works a copy of this License; and
- (b) You must cause any modified files to carry prominent notices stating that You changed the files; and
- (c) You must retain, in the Source form of any Derivative Works that You distribute, all copyright, patent, trademark, and attribution notices from the Source form of the Work, excluding those notices that do not pertain to any part of the Derivative Works; and
- (d) If the Work includes a "NOTICE" text file as part of its distribution, then any Derivative Works that You distribute must include a readable copy of the attribution notices contained within such NOTICE file, excluding those notices that do not pertain to any part of the Derivative Works, in at least one of the following places: within a NOTICE text file distributed as part of the Derivative Works; within the Source form or documentation, if provided along with the Derivative Works; or, within a display generated by the Derivative Works, if and wherever such third-party notices normally appear. The contents of the NOTICE file are for informational purposes only and do not modify the License. You may add Your own attribution notices within Derivative Works that You distribute, alongside or as an addendum to the NOTICE text from the Work, provided that such additional attribution notices cannot be construed as modifying the License.

You may add Your own copyright statement to Your modifications and may provide additional or different license terms and conditions for use, reproduction, or distribution of Your modifications, or for any such Derivative Works as a whole, provided Your use, reproduction, and distribution of the Work otherwise complies with the conditions stated in this License.

5. Submission of Contributions. Unless You explicitly state otherwise, any Contribution intentionally submitted for inclusion in the Work by You to the Licensor shall be under the terms and conditions of this License, without any additional terms or conditions. Notwithstanding the above, nothing herein shall supersede or modify the terms of any separate license agreement you may have executed with Licensor regarding such Contributions.

6. Trademarks. This License does not grant permission to use the trade names, trademarks, service marks, or product names of the Licensor, except as required for reasonable and customary use in describing the origin of the Work and reproducing the content of the NOTICE file.

7. Disclaimer of Warranty. Unless required by applicable law or agreed to in writing, Licensor provides the Work (and each Contributor provides its Contributions) on an "AS IS" BASIS, WITHOUT WARRANTIES OR CONDITIONS OF ANY KIND, either express or implied, including, without limitation, any warranties or conditions of TITLE, NON-INFRINGEMENT, MERCHANTABILITY, or FITNESS

FOR A PARTICULAR PURPOSE. You are solely responsible for determining the appropriateness of using or redistributing the Work and assume any risks associated with Your exercise of permissions under this License.

8. **Limitation of Liability.** In no event and under no legal theory, whether in tort (including negligence), contract, or otherwise, unless required by applicable law (such as deliberate and grossly negligent acts) or agreed to in writing, shall any Contributor be liable to You for damages, including any direct, indirect, special, incidental, or consequential damages of any character arising as a result of this License or out of the use or inability to use the Work (including but not limited to damages for loss of goodwill, work stoppage, computer failure or malfunction, or any and all other commercial damages or losses), even if such Contributor has been advised of the possibility of such damages.

9. **Accepting Warranty or Additional Liability.** While redistributing the Work or Derivative Works thereof, You may choose to offer, and charge a fee for, acceptance of support, warranty, indemnity, or other liability obligations and/or rights consistent with this License. However, in accepting such obligations, You may act only on Your own behalf and on Your sole responsibility, not on behalf of any other Contributor, and only if You agree to indemnify, defend, and hold each Contributor harmless for any liability incurred by, or claims asserted against, such Contributor by reason of your accepting any such warranty or additional liability.

#### END OF TERMS AND CONDITIONS

APPENDIX: How to apply the Apache License to your work.

To apply the Apache License to your work, attach the following boilerplate notice, with the fields enclosed by brackets "[]" replaced with your own identifying information. (Do Not include the brackets!) The text should be enclosed in the appropriate comment syntax for the file format. We also recommend that a file or class name and description of purpose be included on the same "printed page" as the copyright notice for easier identification within third-party archives.

Copyright [yyyy] [name of copyright owner]

Licensed under the Apache License, Version 2.0 (the "License"); you may not use this file except in compliance with the License. You may obtain a copy of the License at

<http://www.apache.org/licenses/LICENSE-2.0>

Unless required by applicable law or agreed to in writing, software distributed under the License is distributed on an "AS IS" BASIS, WITHOUT WARRANTIES OR CONDITIONS OF ANY KIND, either express or implied. See the License for the specific language governing permissions and limitations under the License.

## C.2 wxWidgets

Copyright (c) 1998 Julian Smart, Robert Roebing [, ...]

Everyone is permitted to copy and distribute verbatim copies of this licence document, but changing it is not allowed.

#### WXWINDOWS LIBRARY LICENCE

##### TERMS AND CONDITIONS FOR COPYING, DISTRIBUTION AND MODIFICATION

This library is free software; you can redistribute it and/or modify it under the terms of the GNU Library General Public Licence as published by the Free Software Foundation; either version 2 of the Licence, or (at your option) any later version.

This library is distributed in the hope that it will be useful, but WITHOUT ANY WARRANTY; without even the implied warranty of MERCHANTABILITY or FITNESS FOR A PARTICULAR PURPOSE. See the GNU Library General Public Licence for more details.

You should have received a copy of the GNU Library General Public Licence along with this software, usually in a file named COPYING.LIB. If not, write to the Free Software Foundation, Inc., 59 Temple Place, Suite 330, Boston, MA 02111-1307 USA.

#### EXCEPTION NOTICE

1. As a special exception, the copyright holders of this library give permission for additional uses of the text contained in this release of the library as licenced under the wxWindows Library Licence, applying either version 3 of the Licence, or (at your option) any later version of the Licence as published by the copyright holders of version 3 of the Licence document.
2. The exception is that you may use, copy, link, modify and distribute under the user's own terms, binary object code versions of works based on the Library.
3. If you copy code from files distributed under the terms of the GNU General Public Licence or the GNU Library General Public Licence into a copy of this library, as this licence permits, the exception does not apply to the code that you add in this way. To avoid misleading anyone as to the status of such modified files, you must delete this exception notice from such code and/or adjust the licensing conditions notice accordingly.
4. If you write modifications of your own for this library, it is your choice whether to permit this exception to apply to your modifications. If you do not wish that, you must delete the exception notice from such code and/or adjust the licensing conditions notice accordingly.

### C.3 L-GPL

#### GNU LIBRARY GENERAL PUBLIC LICENSE

=====

Version 2, June 1991

Copyright (C) 1991 Free Software Foundation, Inc. 675 Mass Ave, Cambridge, MA 02139, USA  
Everyone is permitted to copy and distribute verbatim copies of this license document, but changing it is not allowed.

[This is the first released version of the library GPL. It is numbered 2 because it goes with version 2 of the ordinary GPL.]

Preamble

The licenses for most software are designed to take away your freedom to share and change it. By contrast, the GNU General Public Licenses are intended to guarantee your freedom to share and change free software—to make sure the software is free for all its users.

This license, the Library General Public License, applies to some specially designated Free Software Foundation software, and to any other libraries whose authors decide to use it. You can use it for your libraries, too.

When we speak of free software, we are referring to freedom, not price. Our General Public Licenses are designed to make sure that you have the freedom to distribute copies of free software (and charge for this service if you wish), that you receive source code or can get it if you want it, that you can change the software or use pieces of it in new free programs; and that you know you can do these things.

To protect your rights, we need to make restrictions that forbid anyone to deny you these rights or to ask you to surrender the rights. These restrictions translate to certain responsibilities for you if you distribute copies of the library, or if you modify it.

For example, if you distribute copies of the library, whether gratis or for a fee, you must give the recipients all the rights that we gave you. You must make sure that they, too, receive or can get the source code. If you link a program with the library, you must provide complete object files to the recipients so that they can relink them with the library, after making changes to the library and recompiling it. And you must show them these terms so they know their rights.

Our method of protecting your rights has two steps: (1) copyright the library, and (2) offer you this license which gives you legal permission to copy, distribute and/or modify the library.

Also, for each distributor's protection, we want to make certain that everyone understands that there is no warranty for this free library. If the library is modified by someone else and passed on, we want its recipients to know that what they have is not the original version, so that any problems introduced by others will not reflect on the original authors' reputations.

Finally, any free program is threatened constantly by software patents. We wish to avoid the danger that companies distributing free software will individually obtain patent licenses, thus in effect transforming the program into proprietary software. To prevent this, we have made it clear that any patent must be licensed for everyone's free use or not licensed at all.

Most GNU software, including some libraries, is covered by the ordinary GNU General Public License, which was designed for utility programs. This license, the GNU Library General Public License, applies to certain designated libraries. This license is quite different from the ordinary one; be sure to read it in full, and do not assume that anything in it is the same as in the ordinary license.

The reason we have a separate public license for some libraries is that they blur the distinction we usually make between modifying or adding to a program and simply using it. Linking a program with a library, without changing the library, is in some sense simply using the library, and is analogous to running a utility program or application program. However, in a textual and legal sense, the linked executable is a combined work, a derivative of the original library, and the ordinary General Public License treats it as such.

Because of this blurred distinction, using the ordinary General Public License for libraries did not effectively promote software sharing, because most developers did not use the libraries. We concluded that weaker conditions might promote sharing better.

However, unrestricted linking of non-free programs would deprive the users of those programs of all benefit from the free status of the libraries themselves. This Library General Public License is intended to permit developers of non-free programs to use free libraries, while preserving your freedom as a user of such programs to change the free libraries that are incorporated in them. (We have not seen how to achieve this as regards changes in header files, but we have achieved it as regards changes in the actual functions of the Library.) The hope is that this will lead to faster development of free libraries.

The precise terms and conditions for copying, distribution and modification follow. Pay close attention to the difference between a "work based on the library" and a "work that uses the library". The former contains code derived from the library, while the latter only works together with the library.

Note that it is possible for a library to be covered by the ordinary General Public License rather than by this special one.

## GNU LIBRARY GENERAL PUBLIC LICENSE

### TERMS AND CONDITIONS FOR COPYING, DISTRIBUTION AND MODIFICATION

0. This License Agreement applies to any software library which contains a notice placed by the copyright holder or other authorized party saying it may be distributed under the terms of this Library General Public License (also called "this License"). Each licensee is addressed as "you".

A "library" means a collection of software functions and/or data prepared so as to be conveniently linked with application programs (which use some of those functions and data) to form executables.

The "Library", below, refers to any such software library or work which has been distributed under these terms. A "work based on the Library" means either the Library or any derivative work under copyright law: that is to say, a work containing the Library or a portion of it, either verbatim or with modifications and/or translated straightforwardly into another language. (Hereinafter, translation is included without limitation in the term "modification".)

"Source code" for a work means the preferred form of the work for making modifications to it. For a library, complete source code means all the source code for all modules it contains, plus any associated interface definition files, plus the scripts used to control compilation and installation of the library.

Activities other than copying, distribution and modification are not covered by this License; they are outside its scope. The act of running a program using the Library is not restricted, and output from such a program is covered only if its contents constitute a work based on the Library (independent of the use of the Library in a tool for writing it). Whether that is true depends on what the Library does and what the program that uses the Library does.

1. You may copy and distribute verbatim copies of the Library's complete source code as you receive it, in any medium, provided that you conspicuously and appropriately publish on each copy an appropriate copyright notice and disclaimer of warranty; keep intact all the notices that refer to this License and to the absence of any warranty; and distribute a copy of this License along with the Library.



You may charge a fee for the physical act of transferring a copy, and you may at your option offer warranty protection in exchange for a fee.

2. You may modify your copy or copies of the Library or any portion of it, thus forming a work based on the Library, and copy and distribute such modifications or work under the terms of Section 1 above, provided that you also meet all of these conditions:

- a) The modified work must itself be a software library.
- b) You must cause the files modified to carry prominent notices stating that you changed the files and the date of any change.
- c) You must cause the whole of the work to be licensed at no charge to all third parties under the terms of this License.
- d) If a facility in the modified Library refers to a function or a table of data to be supplied by an application program that uses the facility, other than as an argument passed when the facility is invoked, then you must make a good faith effort to ensure that, in the event an application does not supply such function or table, the facility still operates, and performs whatever part of its purpose remains meaningful.

(For example, a function in a library to compute square roots has a purpose that is entirely well-defined independent of the application. Therefore, Subsection 2d requires that any application-supplied function or table used by this function must be optional: if the application does not supply it, the square root function must still compute square roots.)

These requirements apply to the modified work as a whole. If identifiable sections of that work are not derived from the Library, and can be reasonably considered independent and separate works in themselves, then this License, and its terms, do not apply to those sections when you distribute them as separate works. But when you distribute the same sections as part of a whole which is a work based on the Library, the distribution of the whole must be on the terms of this License, whose permissions for other licensees extend to the entire whole, and thus to each and every part regardless of who wrote it.

Thus, it is not the intent of this section to claim rights or contest your rights to work written entirely by you; rather, the intent is to exercise the right to control the distribution of derivative or collective works based on the Library.

In addition, mere aggregation of another work not based on the Library with the Library (or with a work based on the Library) on a volume of a storage or distribution medium does not bring the other work under the scope of this License.

3. You may opt to apply the terms of the ordinary GNU General Public License instead of this License to a given copy of the Library. To do this, you must alter all the notices that refer to this License, so that they refer to the ordinary GNU General Public License, version 2, instead of to this License. (If a newer version than version 2 of the ordinary GNU General Public License has appeared, then you can specify that version instead if you wish.) Do not make any other change in these notices.

Once this change is made in a given copy, it is irreversible for that copy, so the ordinary GNU General Public License applies to all subsequent copies and derivative works made from that copy.

This option is useful when you wish to copy part of the code of the Library into a program that is not a library.

4. You may copy and distribute the Library (or a portion or derivative of it, under Section 2) in object code or executable form under the terms of Sections 1 and 2 above provided that you accompany it with the complete corresponding machine-readable source code, which must be distributed under the terms of Sections 1 and 2 above on a medium customarily used for software interchange.

If distribution of object code is made by offering access to copy from a designated place, then offering equivalent access to copy the source code from the same place satisfies the requirement to distribute the source code, even though third parties are not compelled to copy the source along with the object code.

5. A program that contains no derivative of any portion of the Library, but is designed to work with the Library by being compiled or linked with it, is called a "work that uses the Library". Such a work, in isolation, is not a derivative work of the Library, and therefore falls outside the scope of this License.

However, linking a "work that uses the Library" with the Library creates an executable that is a derivative of the Library (because it contains portions of the Library), rather than a "work that uses the library". The executable is therefore covered by this License. Section 6 states terms for distribution of such executables.

When a "work that uses the Library" uses material from a header file that is part of the Library, the object code for the work may be a derivative work of the Library even though the source code is not. Whether this is true is especially significant if the work can be linked without the Library, or if the work is itself a library. The threshold for this to be true is not precisely defined by law.

If such an object file uses only numerical parameters, data structure layouts and accessors, and small macros and small inline functions (ten lines or less in length), then the use of the object file is unrestricted, regardless of whether it is legally a derivative work. (Executables containing this object code plus portions of the Library will still fall under Section 6.)

Otherwise, if the work is a derivative of the Library, you may distribute the object code for the work under the terms of Section 6. Any executables containing that work also fall under Section 6, whether or not they are linked directly with the Library itself.

6. As an exception to the Sections above, you may also compile or link a "work that uses the Library" with the Library to produce a work containing portions of the Library, and distribute that work under terms of your choice, provided that the terms permit modification of the work for the customer's own use and reverse engineering for debugging such modifications.

You must give prominent notice with each copy of the work that the Library is used in it and that the Library and its use are covered by this License. You must supply a copy of this License. If the work during execution displays copyright notices, you must include the copyright notice for the Library among them, as well as a reference directing the user to the copy of this License. Also, you must do one of these things:

- a) Accompany the work with the complete corresponding machine-readable source code for the Library including whatever changes were used in the work (which must be distributed under Sections 1 and 2 above); and, if the work is an executable linked with the Library, with the complete machine-readable "work that uses the Library", as object code and/or source code, so that the user can modify the Library and then relink to produce a modified executable containing the modified Library. (It is understood that the user who changes the contents of definitions files in the Library will not necessarily be able to recompile the application to use the modified definitions.)
- b) Accompany the work with a written offer, valid for at least three years, to give the same user the materials specified in Subsection 6a, above, for a charge no more than the cost of performing this distribution.
- c) If distribution of the work is made by offering access to copy from a designated place, offer equivalent access to copy the above specified materials from the same place.
- d) Verify that the user has already received a copy of these materials or that you have already sent this user a copy.

For an executable, the required form of the "work that uses the Library" must include any data and utility programs needed for reproducing the executable from it. However, as a special exception, the source code distributed need not include anything that is normally distributed (in either source or binary form) with the major components (compiler, kernel, and so on) of the operating system on which the executable runs, unless that component itself accompanies the executable.

It may happen that this requirement contradicts the license restrictions of other proprietary libraries that do not normally accompany the operating system. Such a contradiction means you cannot use both them and the Library together in an executable that you distribute.

7. You may place library facilities that are a work based on the Library side-by-side in a single library together with other library facilities not covered by this License, and distribute such a combined library, provided that the separate distribution of the work based on the Library and of the other library facilities is otherwise permitted, and provided that you do these two things:

- a) Accompany the combined library with a copy of the same work based on the Library, uncombined with any other library facilities. This must be distributed under the terms of the Sections above.
- b) Give prominent notice with the combined library of the fact that part of it is a work based on the Library, and explaining where to find the accompanying uncombined form of the same work.

8. You may not copy, modify, sublicense, link with, or distribute the Library except as expressly provided under this License. Any attempt otherwise to copy, modify, sublicense, link with, or distribute the Library is void, and will automatically terminate your rights under this License. However, parties who have received copies, or rights, from you under this License will not have their licenses terminated so long as

such parties remain in full compliance.

9. You are not required to accept this License, since you have not signed it. However, nothing else grants you permission to modify or distribute the Library or its derivative works. These actions are prohibited by law if you do not accept this License. Therefore, by modifying or distributing the Library (or any work based on the Library), you indicate your acceptance of this License to do so, and all its terms and conditions for copying, distributing or modifying the Library or works based on it.

10. Each time you redistribute the Library (or any work based on the Library), the recipient automatically receives a license from the original licensor to copy, distribute, link with or modify the Library subject to these terms and conditions. You may not impose any further restrictions on the recipients' exercise of the rights granted herein. You are not responsible for enforcing compliance by third parties to this License.

11. If, as a consequence of a court judgment or allegation of patent infringement or for any other reason (not limited to patent issues), conditions are imposed on you (whether by court order, agreement or otherwise) that contradict the conditions of this License, they do not excuse you from the conditions of this License. If you cannot distribute so as to satisfy simultaneously your obligations under this License and any other pertinent obligations, then as a consequence you may not distribute the Library at all. For example, if a patent license would not permit royalty-free redistribution of the Library by all those who receive copies directly or indirectly through you, then the only way you could satisfy both it and this License would be to refrain entirely from distribution of the Library.

If any portion of this section is held invalid or unenforceable under any particular circumstance, the balance of the section is intended to apply, and the section as a whole is intended to apply in other circumstances.

It is not the purpose of this section to induce you to infringe any patents or other property right claims or to contest validity of any such claims; this section has the sole purpose of protecting the integrity of the free software distribution system which is implemented by public license practices. Many people have made generous contributions to the wide range of software distributed through that system in reliance on consistent application of that system; it is up to the author/donor to decide if he or she is willing to distribute software through any other system and a licensee cannot impose that choice.

This section is intended to make thoroughly clear what is believed to be a consequence of the rest of this License.

12. If the distribution and/or use of the Library is restricted in certain countries either by patents or by copyrighted interfaces, the original copyright holder who places the Library under this License may add an explicit geographical distribution limitation excluding those countries, so that distribution is permitted only in or among countries not thus excluded. In such case, this License incorporates the limitation as if written in the body of this License.

13. The Free Software Foundation may publish revised and/or new versions of the Library General Public License from time to time. Such new versions will be similar in spirit to the present version, but may differ in detail to address new problems or concerns.

Each version is given a distinguishing version number. If the Library specifies a version number of this License which applies to it and "any later version", you have the option of following the terms and conditions either of that version or of any later version published by the Free Software Foundation. If the Library does not specify a license version number, you may choose any version ever published by the Free Software Foundation.

14. If you wish to incorporate parts of the Library into other free programs whose distribution conditions are incompatible with these, write to the author to ask for permission. For software which is copyrighted by the Free Software Foundation, write to the Free Software Foundation; we sometimes make exceptions for this. Our decision will be guided by the two goals of preserving the free status of all derivatives of our free software and of promoting the sharing and reuse of software generally.

#### NO WARRANTY

15. BECAUSE THE LIBRARY IS LICENSED FREE OF CHARGE, THERE IS NO WARRANTY FOR THE LIBRARY, TO THE EXTENT PERMITTED BY APPLICABLE LAW. EXCEPT WHEN OTHERWISE STATED IN WRITING THE COPYRIGHT HOLDERS AND/OR OTHER PARTIES PROVIDE THE LIBRARY "AS IS" WITHOUT WARRANTY OF ANY KIND, EITHER EXPRESSED

OR IMPLIED, INCLUDING, BUT NOT LIMITED TO, THE IMPLIED WARRANTIES OF MERCHANTABILITY AND FITNESS FOR A PARTICULAR PURPOSE. THE ENTIRE RISK AS TO THE QUALITY AND PERFORMANCE OF THE LIBRARY IS WITH YOU. SHOULD THE LIBRARY PROVE DEFECTIVE, YOU ASSUME THE COST OF ALL NECESSARY SERVICING, REPAIR OR CORRECTION.

16. IN NO EVENT UNLESS REQUIRED BY APPLICABLE LAW OR AGREED TO IN WRITING WILL ANY COPYRIGHT HOLDER, OR ANY OTHER PARTY WHO MAY MODIFY AND/OR REDISTRIBUTE THE LIBRARY AS PERMITTED ABOVE, BE LIABLE TO YOU FOR DAMAGES, INCLUDING ANY GENERAL, SPECIAL, INCIDENTAL OR CONSEQUENTIAL DAMAGES ARISING OUT OF THE USE OR INABILITY TO USE THE LIBRARY (INCLUDING BUT NOT LIMITED TO LOSS OF DATA OR DATA BEING RENDERED INACCURATE OR LOSSES SUSTAINED BY YOU OR THIRD PARTIES OR A FAILURE OF THE LIBRARY TO OPERATE WITH ANY OTHER SOFTWARE), EVEN IF SUCH HOLDER OR OTHER PARTY HAS BEEN ADVISED OF THE POSSIBILITY OF SUCH DAMAGES.

#### END OF TERMS AND CONDITIONS

##### Appendix: How to Apply These Terms to Your New Libraries

If you develop a new library, and you want it to be of the greatest possible use to the public, we recommend making it free software that everyone can redistribute and change. You can do so by permitting redistribution under these terms (or, alternatively, under the terms of the ordinary General Public License).

To apply these terms, attach the following notices to the library. It is safest to attach them to the start of each source file to most effectively convey the exclusion of warranty; and each file should have at least the "copyright" line and a pointer to where the full notice is found.

<one line to give the library's name and a brief idea of what it does.> Copyright (C) <year> <name of author>

This library is free software; you can redistribute it and/or modify it under the terms of the GNU Library General Public License as published by the Free Software Foundation; either version 2 of the License, or (at your option) any later version.

This library is distributed in the hope that it will be useful, but WITHOUT ANY WARRANTY; without even the implied warranty of MERCHANTABILITY or FITNESS FOR A PARTICULAR PURPOSE. See the GNU Library General Public License for more details.

You should have received a copy of the GNU Library General Public License along with this library; if not, write to the Free Software Foundation, Inc., 675 Mass Ave, Cambridge, MA 02139, USA.

Also add information on how to contact you by electronic and paper mail.

You should also get your employer (if you work as a programmer) or your school, if any, to sign a "copyright disclaimer" for the library, if necessary. Here is a sample; alter the names:

Yoyodyne, Inc., hereby disclaims all copyright interest in the library 'Frob' (a library for tweaking knobs) written by James Random Hacker.

<signature of Ty Coon>, 1 April 1990 Ty Coon, President of Vice

That's all there is to it!

## C.4 TCL

### Tcl/Tk License Terms

This software is copyrighted by the Regents of the University of California, Sun Microsystems, Inc., Scriptics Corporation, and other parties. The following terms apply to all files associated with the software unless explicitly disclaimed in individual files.

The authors hereby grant permission to use, copy, modify, distribute, and license this software and its documentation for any purpose, provided that existing copyright notices are retained in all copies and that this notice is included verbatim in any distributions. No written agreement, license, or royalty fee

is required for any of the authorized uses. Modifications to this software may be copyrighted by their authors and need not follow the licensing terms described here, provided that the new terms are clearly indicated on the first page of each file where they apply.

IN NO EVENT SHALL THE AUTHORS OR DISTRIBUTORS BE LIABLE TO ANY PARTY FOR DIRECT, INDIRECT, SPECIAL, INCIDENTAL, OR CONSEQUENTIAL DAMAGES ARISING OUT OF THE USE OF THIS SOFTWARE, ITS DOCUMENTATION, OR ANY DERIVATIVES THEREOF, EVEN IF THE AUTHORS HAVE BEEN ADVISED OF THE POSSIBILITY OF SUCH DAMAGE.

THE AUTHORS AND DISTRIBUTORS SPECIFICALLY DISCLAIM ANY WARRANTIES, INCLUDING, BUT NOT LIMITED TO, THE IMPLIED WARRANTIES OF MERCHANTABILITY, FITNESS FOR A PARTICULAR PURPOSE, AND NON-INFRINGEMENT. THIS SOFTWARE IS PROVIDED ON AN "AS IS" BASIS, AND THE AUTHORS AND DISTRIBUTORS HAVE NO OBLIGATION TO PROVIDE MAINTENANCE, SUPPORT, UPDATES, ENHANCEMENTS, OR MODIFICATIONS.

GOVERNMENT USE: If you are acquiring this software on behalf of the U.S. government, the Government shall have only "Restricted Rights" in the software and related documentation as defined in the Federal Acquisition Regulations (FARs) in Clause 52.227.19 (c) (2). If you are acquiring the software on behalf of the Department of Defense, the software shall be classified as "Commercial Computer Software" and the Government shall have only "Restricted Rights" as defined in Clause 252.227-7013 (c) (1) of DFARs. Notwithstanding the foregoing, the authors grant the U.S. Government and others acting in its behalf permission to use and distribute the software in accordance with the terms specified in this license.

## C.5 SQLite

SQLite is public domain. For more information, see <http://www.sqlite.org/copyright.html>

## C.6 Editline

-

Copyright (c) 1997 The NetBSD Foundation, Inc.

All rights reserved.

This code is derived from software contributed to The NetBSD Foundation by Jaromir Dolecek.

Redistribution and use in source and binary forms, with or without modification, are permitted provided that the following conditions are met:

1. Redistributions of source code must retain the above copyright notice, this list of conditions and the following disclaimer.
2. Redistributions in binary form must reproduce the above copyright notice, this list of conditions and the following disclaimer in the documentation and/or other materials provided with the distribution.
3. All advertising materials mentioning features or use of this software must display the following acknowledgement: This product includes software developed by the NetBSD Foundation, Inc. and its contributors.
4. Neither the name of The NetBSD Foundation nor the names of its contributors may be used to endorse or promote products derived from this software without specific prior written permission.

THIS SOFTWARE IS PROVIDED BY THE NETBSD FOUNDATION, INC. AND CONTRIBUTORS "AS IS" AND ANY EXPRESS OR IMPLIED WARRANTIES, INCLUDING, BUT NOT LIMITED TO, THE IMPLIED WARRANTIES OF MERCHANTABILITY AND FITNESS FOR A PARTICULAR PURPOSE ARE DISCLAIMED. IN NO EVENT SHALL THE FOUNDATION OR CONTRIBUTORS BE LIABLE FOR ANY DIRECT, INDIRECT, INCIDENTAL, SPECIAL, EXEMPLARY, OR CONSEQUENTIAL DAMAGES (INCLUDING, BUT NOT LIMITED TO, PROCUREMENT OF SUBSTITUTE GOODS OR SERVICES; LOSS OF USE, DATA, OR PROFITS; OR BUSINESS INTERRUPTION) HOWEVER CAUSED AND ON ANY THEORY OF LIABILITY, WHETHER IN CONTRACT, STRICT LIABILITY, OR TORT (INCLUDING NEGLIGENCE OR OTHERWISE) ARISING IN ANY

WAY OUT OF THE USE OF THIS SOFTWARE, EVEN IF ADVISED OF THE POSSIBILITY OF SUCH DAMAGE.

# Bibliography

- [Bou01] Jani Boutellier. Transport-triggered processors. Computer Science and Engineering Laboratory, University of Oulu, [Online]. Available: [http://tce.cs.tut.fi/slides/tta\\_uo.ppt](http://tce.cs.tut.fi/slides/tta_uo.ppt), Jan 2001.
- [Cil04] Andrea Cilio. TTA Program Exchange Format. S-004, [Online] Available: <http://tce.cs.tut.fi/specs/TPEF.pdf>, 2004.
- [Cor97] Henk Corporaal. *Microprocessor Architectures; from VLIW to TTA*. John Wiley, 1997.
- [CSJ04] Andrea Cilio, Henjo Schot, and Johan Janssen. Processor Architecture Definition File Format for a New TTA Design Framework. S-003, [Online] Available: <http://tce.cs.tut.fi/specs/ADF.pdf>, 2004.
- [llv08] The LLVM project home page. Website, 2008. <http://www.llvm.org> .
- [TCE] TTA-based Co-design Environment (TCE). Department of Computer Systems, Tampere University of Technology, [Online]. Available: <http://tce.cs.tut.fi/index.html>.